



Chipsmall Limited consists of a professional team with an average of over 10 year of expertise in the distribution of electronic components. Based in Hongkong, we have already established firm and mutual-benefit business relationships with customers from,Europe,America and south Asia,supplying obsolete and hard-to-find components to meet their specific needs.

With the principle of "Quality Parts,Customers Priority,Honest Operation,and Considerate Service",our business mainly focus on the distribution of electronic components. Line cards we deal with include Microchip,ALPS,ROHM,Xilinx,Pulse,ON,Everlight and Freescale. Main products comprise IC,Modules,Potentiometer,IC Socket,Relay,Connector.Our parts cover such applications as commercial,industrial, and automotives areas.

We are looking forward to setting up business relationship with you and hope to provide you with the best service and solution. Let us make a better world for our industry!



Contact us

Tel: +86-755-8981 8866 Fax: +86-755-8427 6832

Email & Skype: info@chipsmall.com Web: www.chipsmall.com

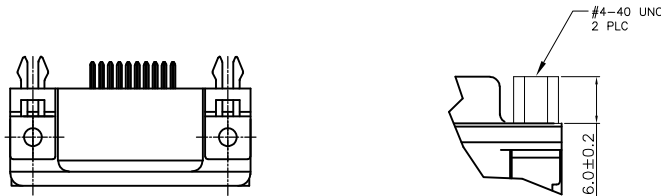
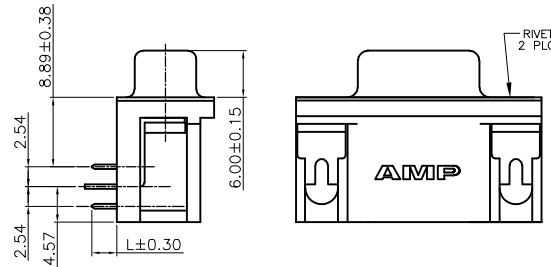
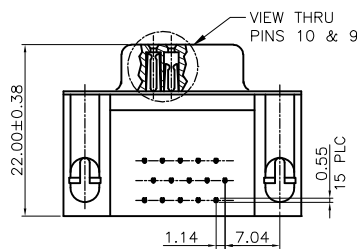
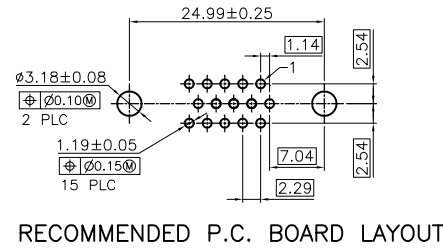
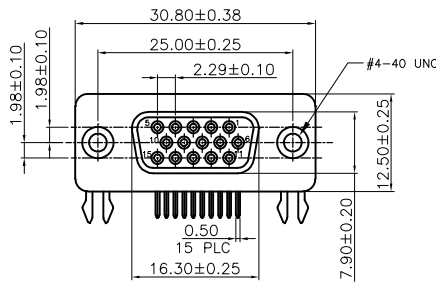
Address: A1208, Overseas Decoration Building, #122 Zhenhua RD., Futian, Shenzhen, China



P	LTR	DESCRIPTION	DATE	DWN	APVD
	B1	REVISED PER ECO-11-005301	07MAR11	RK	HMR

NOTES:

- MATERIAL:
 - 1.1 HOUSING: UL94V-0; COLOR: SEE TABLE.
 - ▲: NY9T, THERMOPLASTIC, HIGH TEMP.
 - ▲: PBT, THERMOPLASTIC.
 - 1.2 CONTACTS: PHOSPHOR BRONZE
 - 1.3 SHELL: SPCC
 - 1.4 BOARDLOCK: BRASS
 - 1.5 RIVET: BRASS
- FINISH:
 - 2.1 CONTACT:
 - GOLD PLATING ON CONTACT AREA,
 - 100µ" MIN. MATTE TIN PLATING ON SOLDERTAIL,
 - 50µ" MIN. NICKEL UNDERPLATED OVERALL.
 - 2.2 BOARDLOCK:
 - 100µ" MIN. TIN PLATING
 - 50µ" MIN. NICKEL UNDERPLATED OVERALL.
 - 2.3 SHELL: 50µ" MIN. NICKEL PLATING OVERALL.
 - 2.4 RIVET: NICKEL PLATING OVERALL.
- RECOMMENDED PCB THICKNESS: 1.6mm
- WAVE SOLDER CAPABLE TO 265°C PER TE CONNECTIVITY SPEC. 109-202, CONDITION B.



DETAIL Z
(W/SCREWLOCKS OPTION)

STATUS	DESCRIPTION	QTY	UNIT	FINISH	FASTENER	PART NUMBER
OBSOLETE	300U BLUE	3.20	TRAY	10µ"	RIVET, THREADED W/O SCREW	5-1734344-3
OBSOLETE	300U BLUE	3.70	TRAY	30µ"	RIVET, THREADED W/O SCREW	2-1734344-4
OBSOLETE	300U BLUE	3.20	TRAY	30µ"	RIVET, THREADED W/O SCREW	2-1734344-3
OBSOLETE	661C BLUE	2.67	TRAY	30µ"	RIVET, THREADED W/O SCREW	2-1734344-2
OBSOLETE	661C BLUE	2.67	TRAY	G/F	W/FEMALE SCREWLOCKS (DETAIL Z)	1-1734344-2
OBSOLETE	300U BLUE	3.20	TRAY	G/F	W/FEMALE SCREWLOCKS (DETAIL Z)	1-1734344-1
OBSOLETE	BLACK	2.67	TUBE	15µ"	W/FEMALE SCREWLOCKS (DETAIL Z)	1734344-5
OBSOLETE	300U BLUE	3.20	TUBE	10µ"	RIVET, THREADED W/O SCREW	1734344-4
OBSOLETE	300U BLUE	3.20	TRAY	10µ"	RIVET, THREADED W/O SCREW	1734344-3
OBSOLETE	661C BLUE	2.67	TRAY	G/F	RIVET, THREADED W/O SCREW	1734344-2
OBSOLETE	300U BLUE	3.20	TRAY	G/F	RIVET, THREADED W/O SCREW	1734344-1
	HSG RESIN	PANTONE COLOR	'L'	PACKAGING	GOLD PLATING	FASTENER OPTION
						PART NUMBER

THIS DRAWING IS A CONTROLLED DOCUMENT.

DWN J. LEE 16JAN2006
CHK S. HOU 16JAN2006
APVD W.J. KE 16JAN2006

TE Connectivity

RCPT ASM, SZ 1, 15 POSN, RT ANG, FRONT METAL, SHELL AMPLIMITE HD-22

108-57541
501-57623

SIZE A3 CAGE CODE 00779 DRAWING NO. C-1734344 RESTRICTED TO

WEIGHT 9.0g/PCS(W/ SCREW) 11.1g/PCS(W/O SCREW)

CUSTOMER DRAWING SCALE SHEET 1 OF 3 REV B1

THIS DRAWING IS UNPUBLISHED.

RELEASED FOR PUBLICATION

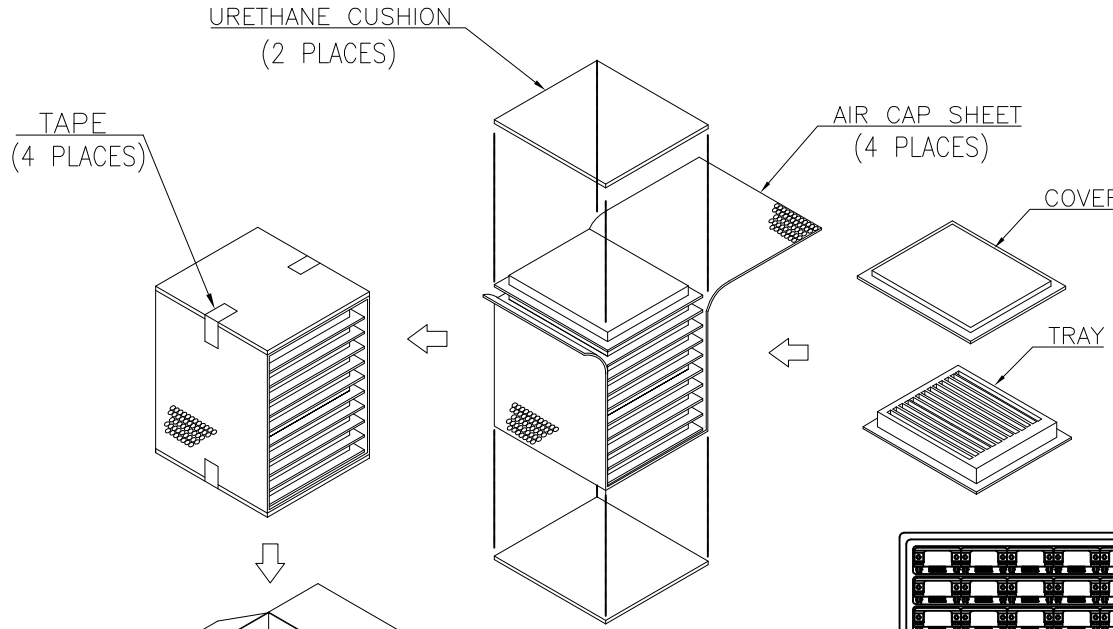
ALL RIGHTS RESERVED.

© COPYRIGHT - BY -

LOC DW DIST

REVISIONS

P	LTR	DESCRIPTION	DATE	DWN	APVD
-	-	SEE SHEET 1.	-	-	-



TAPE (4 PLACES)

URETHANE CUSHION (2 PLACES)

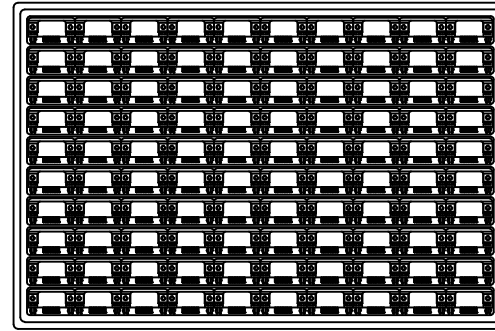
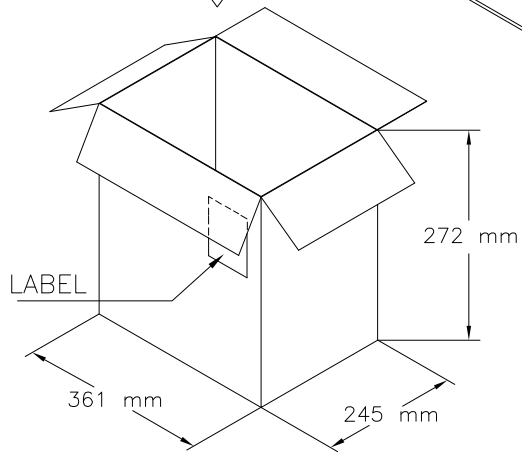
AIR CAP SHEET (4 PLACES)

COVER

TRAY

NOTES:

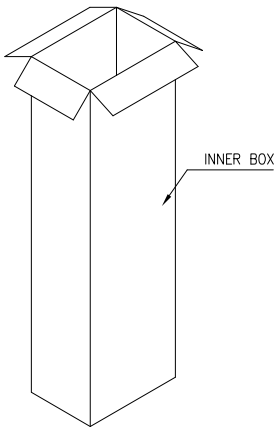
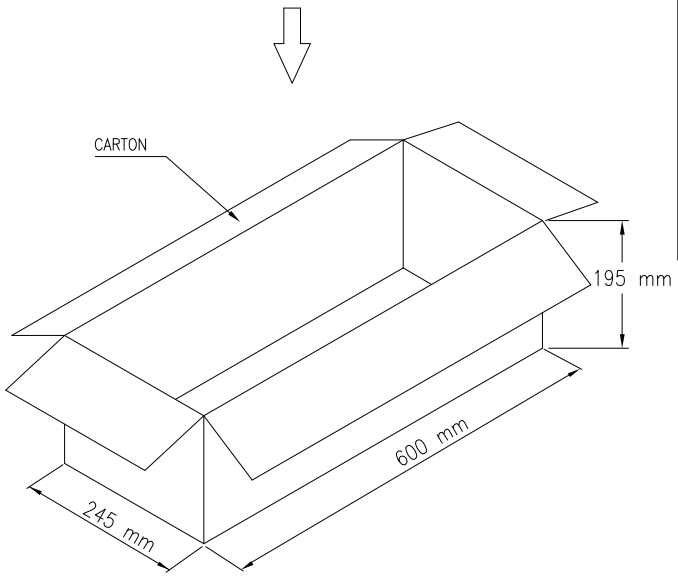
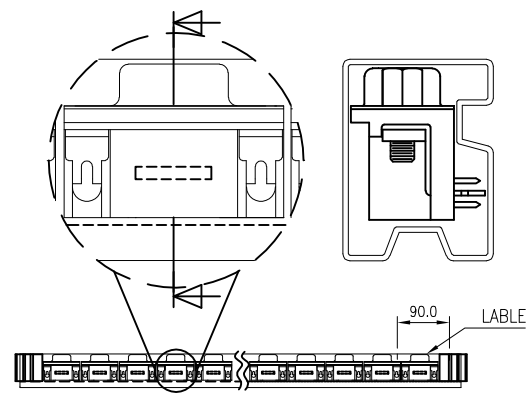
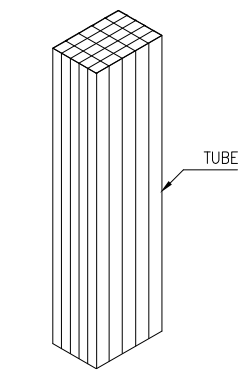
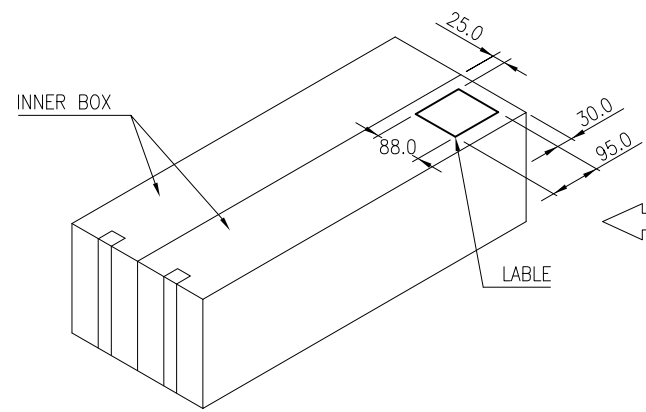
1. MATERIAL:
 - 1.1 TRAY: PVC
 - 1.2 SHIPPING CARTON: CORRUGATED FIBERBOARD
2. DIMENSION:
 - 2.1 TRAY: L=320, W=230, H=18.9
 - 2.2 SHIPPING CARTON: L=361, W=245, H=272
3. QUANTITY:
 - 3.1 PRIMARY PACKING: 100 PCS/TRAY
 - 3.2 SECONDARY PACKING: 10 TRAY/CARTON(1000PCS)
4. CARTON WEIGHT:
 - 4.1 W/O SCREWLOCK
 - NET WEIGHT: 8.24 Kg
 - GROSS WEIGHT: 9.24 Kg
 - 4.2 WITH SCREWLOCK
 - NET WEIGHT: 10.24 Kg
 - GROSS WEIGHT: 11.24 Kg



THIS DRAWING IS A CONTROLLED DOCUMENT.		DWN	STE TE Connectivity		
DIMENSIONS: MM		CHK			
TOLERANCES UNLESS OTHERWISE SPECIFIED:		APVD	NAME		
0 PLC ± -		PRODUCT SPEC	RCPT ASM, SZ 1, 15 POSN, RT ANG, FRONT METAL, SHELL AMPLIMITE HD-22		
1 PLC ± -		APPLICATION SPEC	SIZE	CAGE CODE	DRAWING NO
2 PLC ± -		WEIGHT	A3	00779	©=1734344
3 PLC ± -		CUSTOMER DRAWING		SCALE	SHEET
4 PLC ± -		RESTRICTED TO		-	2 OF 3
ANGLES ± -		REV		B1	
MATERIAL					
FINISH					

THIS DRAWING IS UNPUBLISHED. RELEASED FOR PUBLICATION
 © COPYRIGHT - BY - ALL RIGHTS RESERVED.

LOC	DIST	REVISIONS			
P	LTR	DESCRIPTION	DATE	DWN	APVD
-	-	SEE SHEET 1.	-	-	-



- NOTES:
- MATERIAL:
 - 1.1 TRAY: PVC
 - 1.2 SHIPPING CARTON: CORRUGATED FIBERBOARD
 - DIMENSION:
 - 2.1 TRAY: L=560, W=17.8, H=27.4
 - 2.2 SHIPPING CARTON: L=600, W=245, H=195
 - QUANTITY:
 - 3.1 PRIMARY PACKING: 17 PCS/TUBE
 - 3.2 SECONDARY PACKING: 25 TUPE/BOX
 - 3.3 THIRD PACKING: 2 BOX/CARTON(850PCS)
 - CARTON WEIGHT:
 - 4.1 W/O SCREWLOCK
NET WEIGHT: 8.24 Kg
GROSS WEIGHT: 9.24 Kg
 - 4.2 WITH SCREWLOCK
NET WEIGHT: 10 Kg
GROSS WEIGHT: 11 Kg

THIS DRAWING IS A CONTROLLED DOCUMENT.		DWN		TE Connectivity	
DIMENSIONS: MM		CHK			
DIMENSIONS: MM 		TOLERANCES UNLESS OTHERWISE SPECIFIED:		NAME	
0 PLC ±		1 PLC ±		APVD	
1 PLC ±		2 PLC ±		PRODUCT SPEC	
2 PLC ±		3 PLC ±		APPLICATION SPEC	
3 PLC ±		4 PLC ±		WEIGHT	
4 PLC ±		ANGLES ±		SIZE	
MATERIAL		FINISH		CAGE CODE	
				DRAWING NO	
				RESTRICTED TO	
				A3 00779	
				C=1734344	
				SCALE	
				SHEET	
				3 of 3	
				REV B1	
				CUSTOMER DRAWING	