



Chipsmall Limited consists of a professional team with an average of over 10 year of expertise in the distribution of electronic components. Based in Hongkong, we have already established firm and mutual-benefit business relationships with customers from,Europe,America and south Asia,supplying obsolete and hard-to-find components to meet their specific needs.

With the principle of “Quality Parts,Customers Priority,Honest Operation,and Considerate Service”,our business mainly focus on the distribution of electronic components. Line cards we deal with include Microchip,ALPS,ROHM,Xilinx,Pulse,ON,Everlight and Freescale. Main products comprise IC,Modules,Potentiometer,IC Socket,Relay,Connector.Our parts cover such applications as commercial,industrial, and automotives areas.

We are looking forward to setting up business relationship with you and hope to provide you with the best service and solution. Let us make a better world for our industry!



Contact us

Tel: +86-755-8981 8866 Fax: +86-755-8427 6832

Email & Skype: info@chipsmall.com Web: www.chipsmall.com

Address: A1208, Overseas Decoration Building, #122 Zhenhua RD., Futian, Shenzhen, China



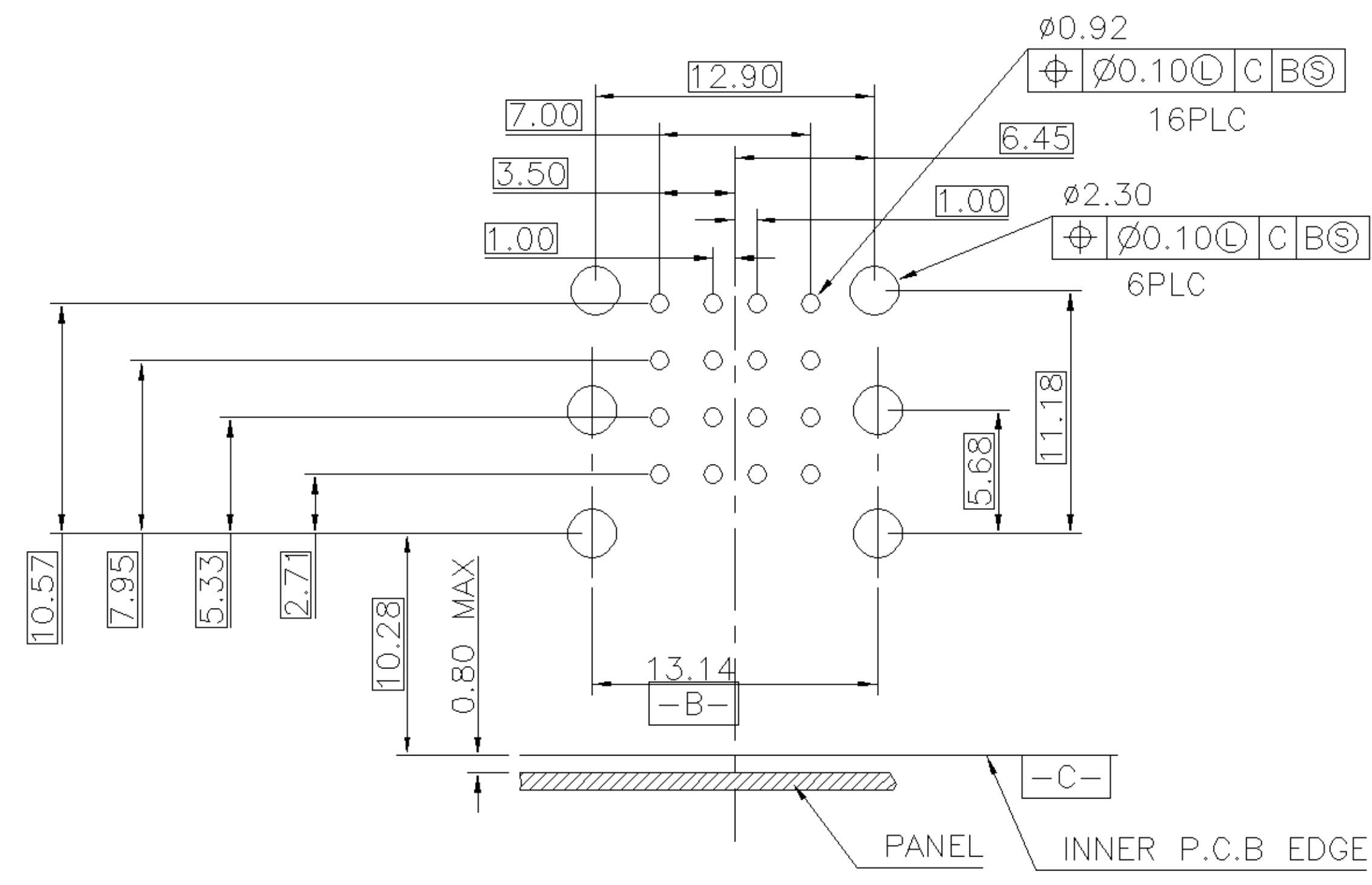
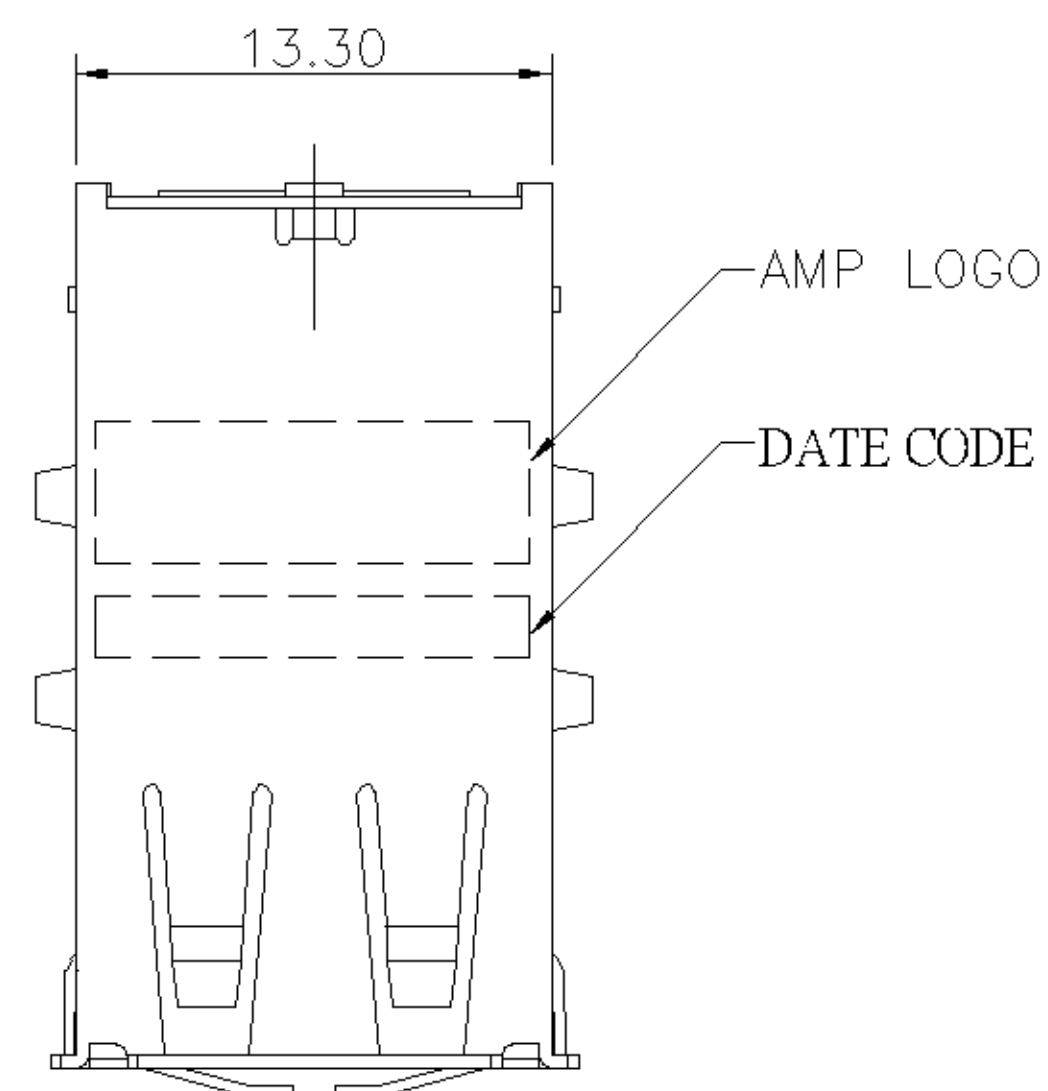
NUMBER
C-1734383

3RD ANGLE PROJECTION

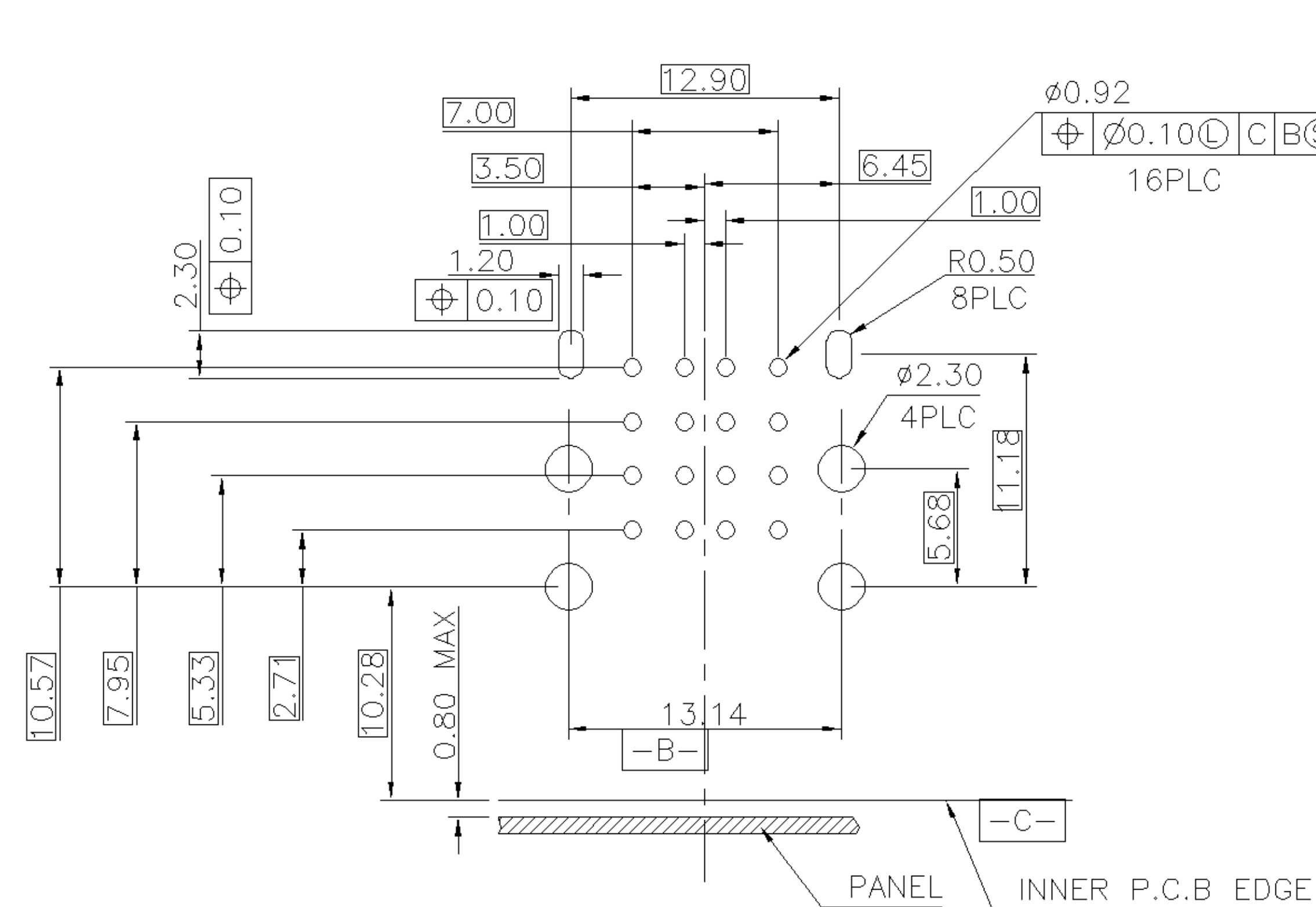
METRIC

THIS INFORMATION IS CONFIDENTIAL AND IS DISCLOSED TO YOU ON CONDITION THAT NO FURTHER DISCLOSURE IS MADE BY YOU TO OTHER THAN AMP PERSONNEL WITHOUT WRITTEN AUTHORIZATION FROM AMP (TAIWAN) LTD. DIMENSIONS IN MILLIMETERS. DO NOT SCALE PRINT.

PRINT
DW

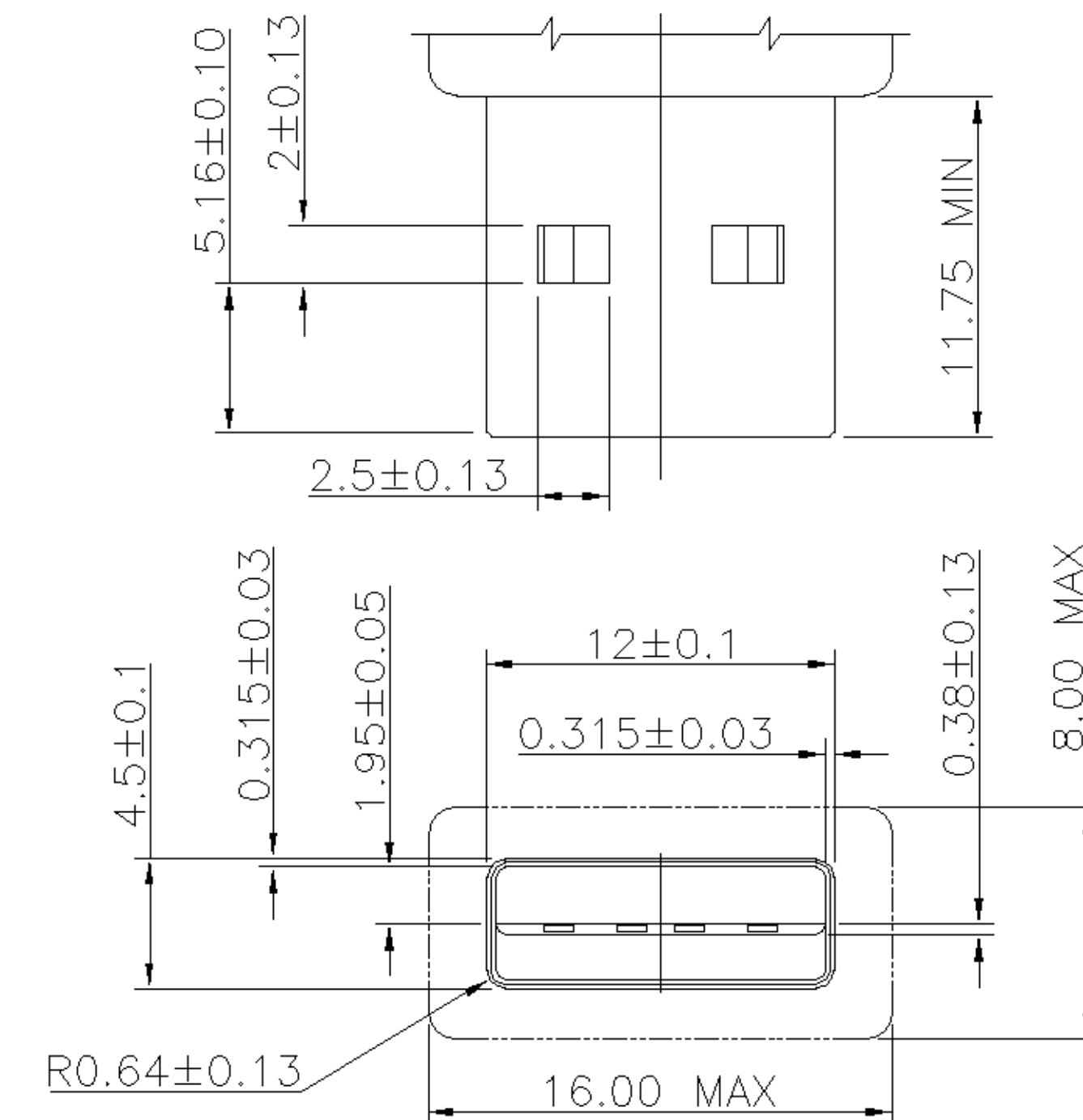
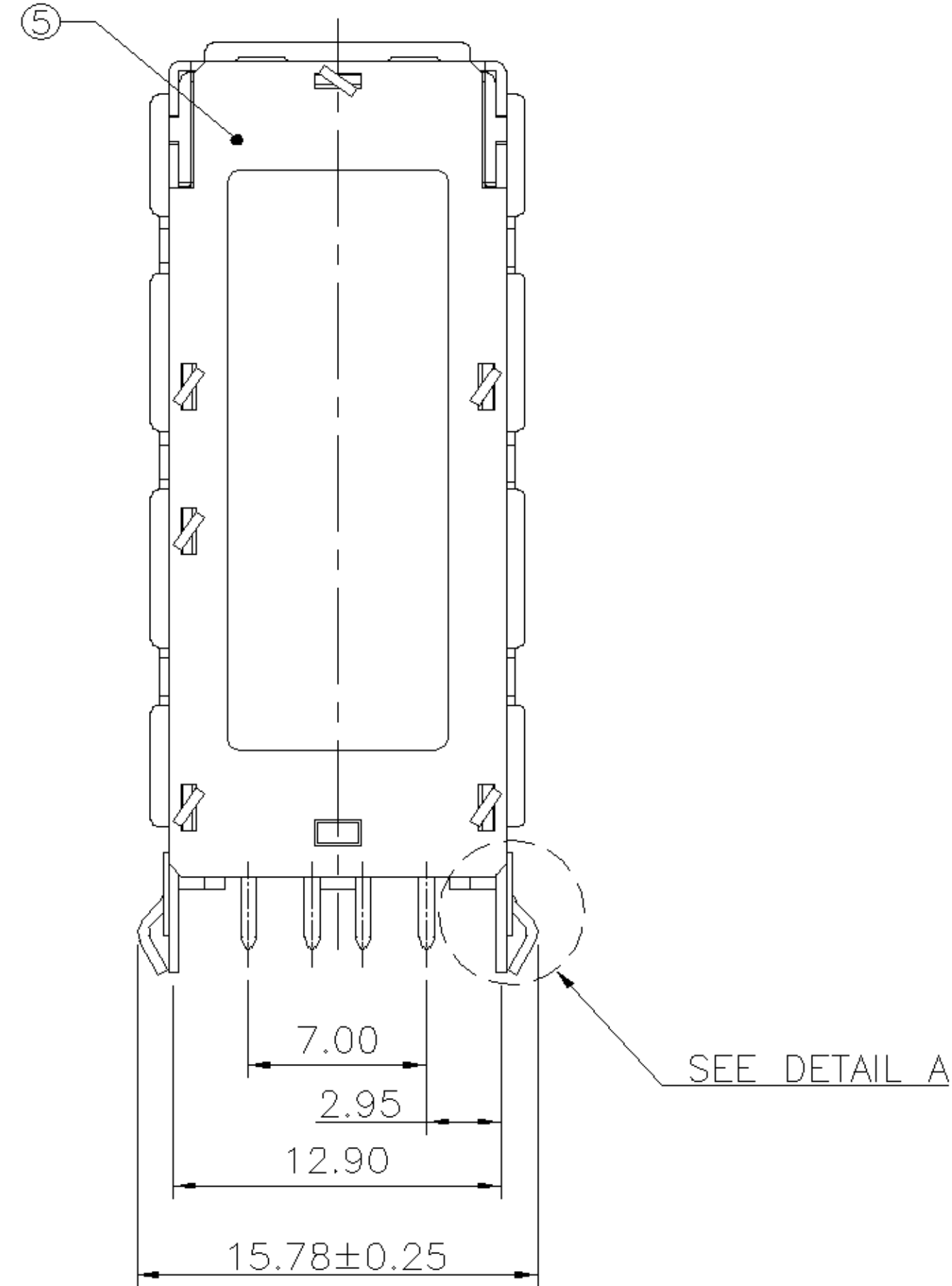
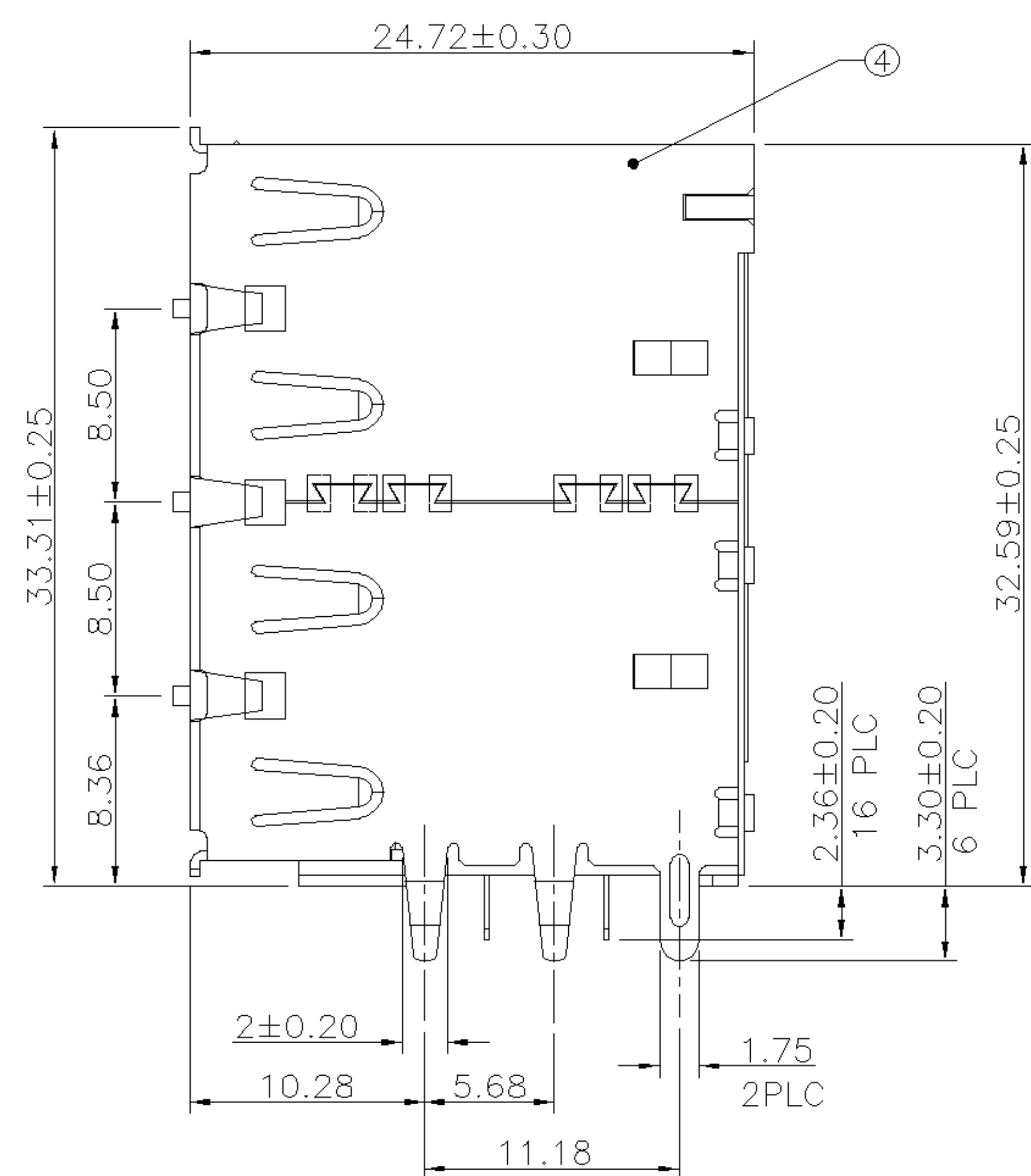
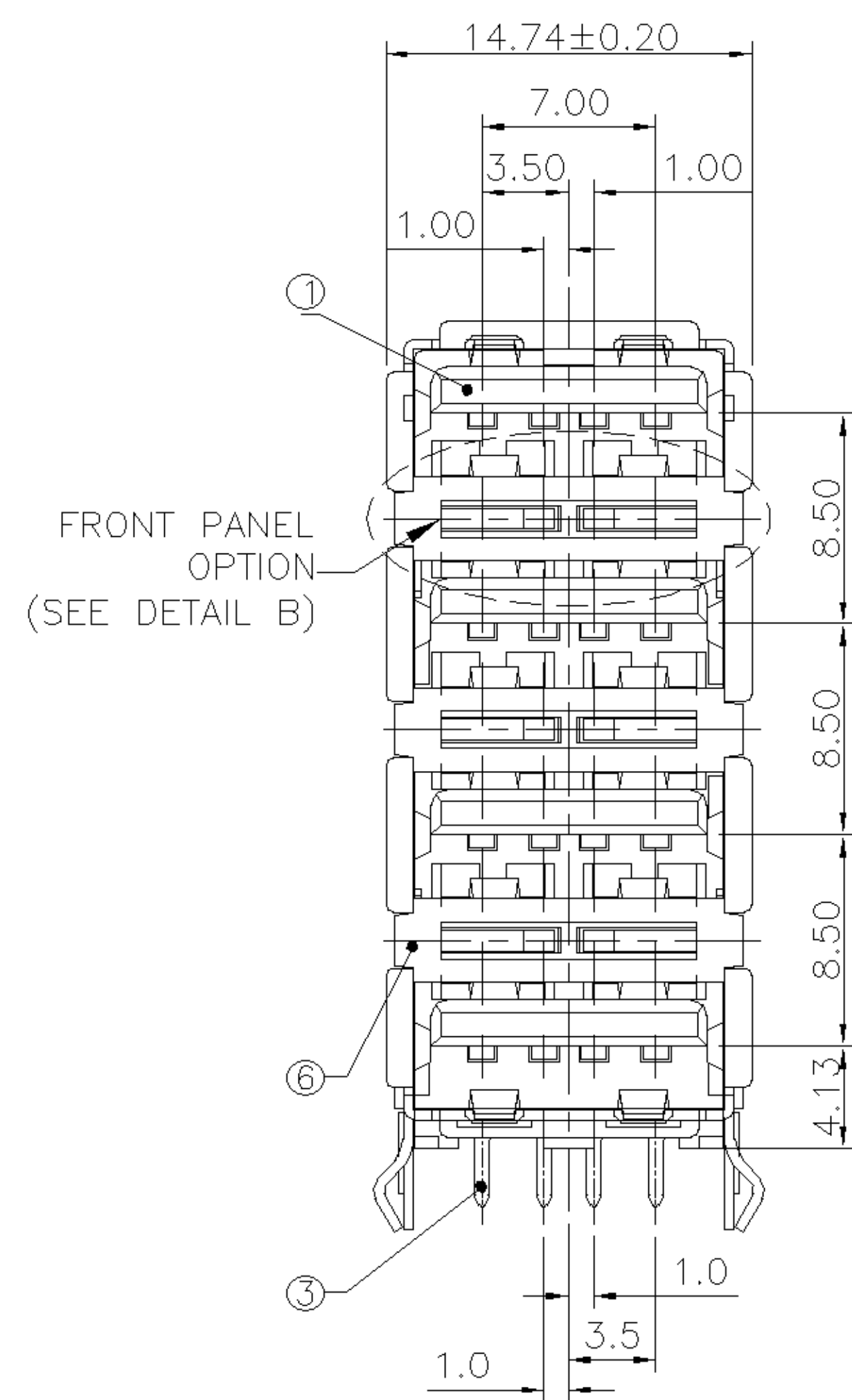


RECOMMENDED P.C.B. LAYOUT (1) (THICKNESS=1.6mm)
(GENERAL TOLERANCE: ±0.05)

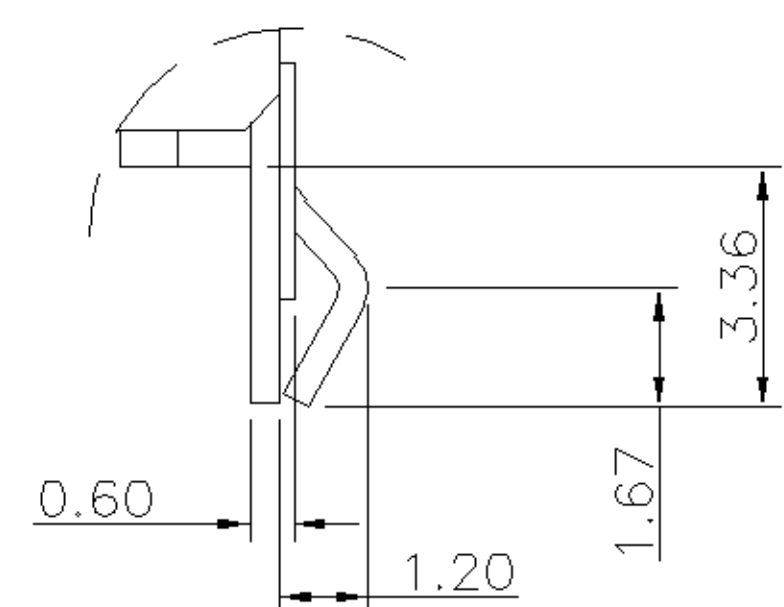
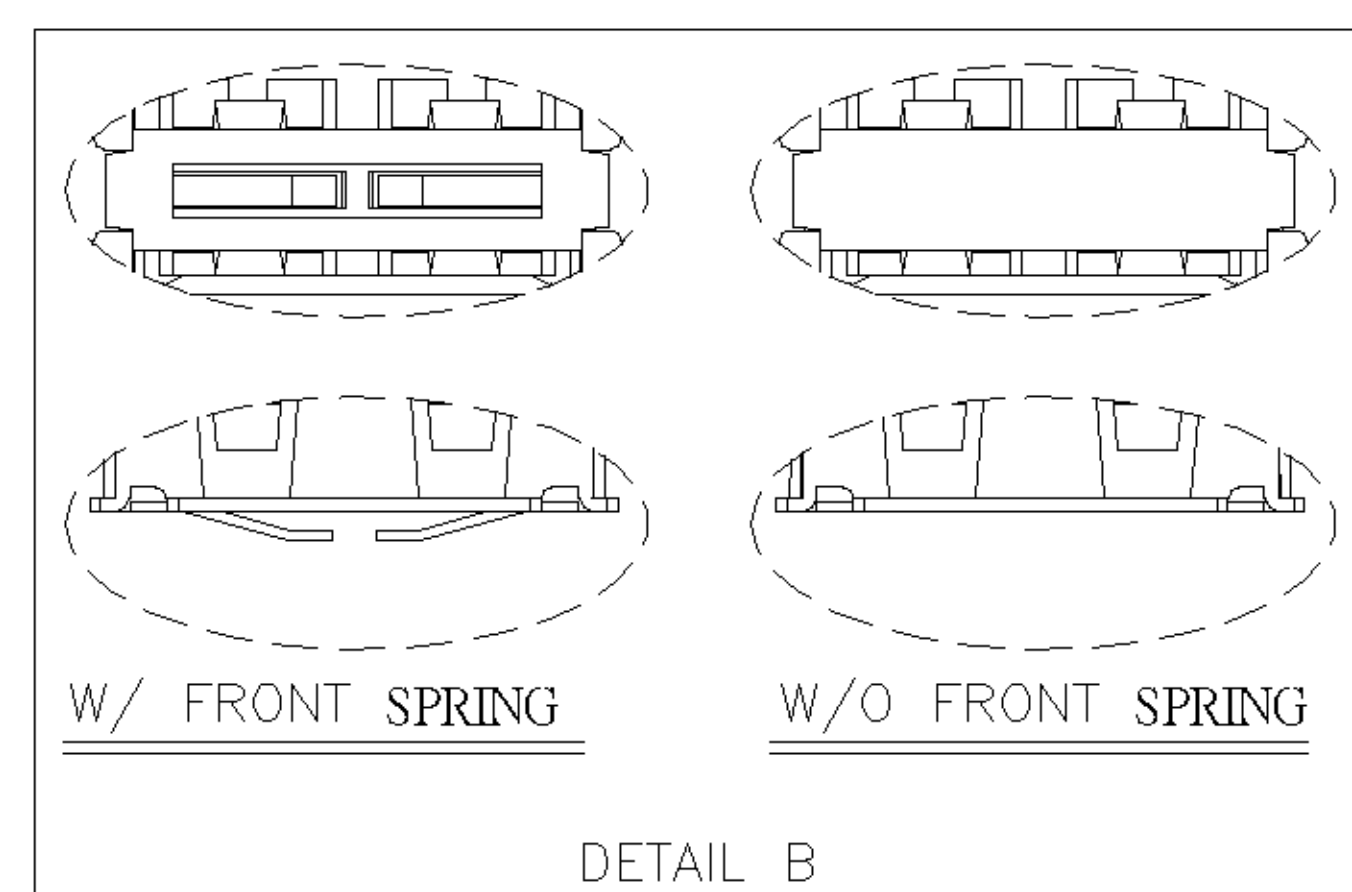
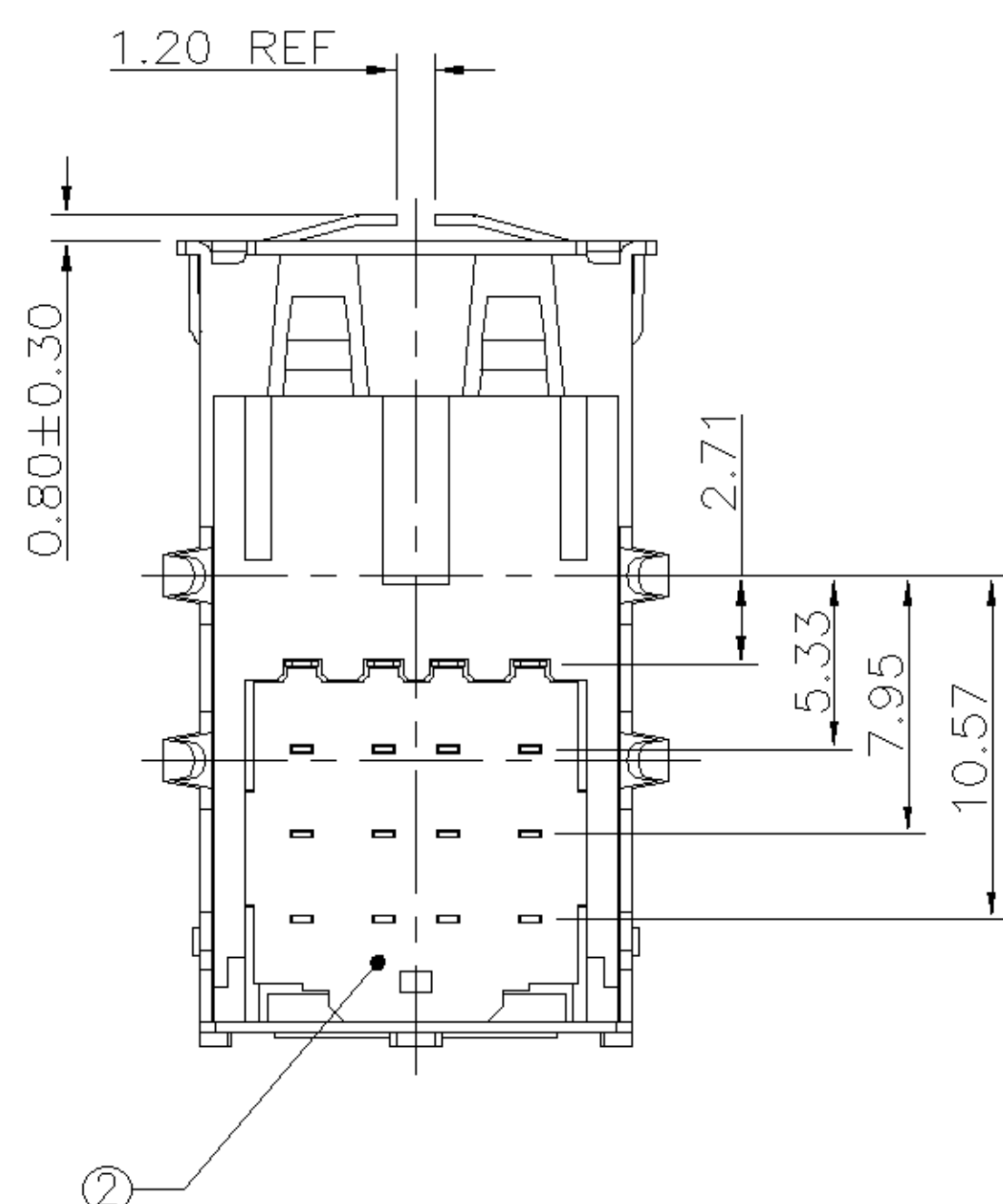


RECOMMENDED P.C.B. LAYOUT (2) (THICKNESS=1.6mm)
(GENERAL TOLERANCE: ±0.05)

- NOTE:
- MATERIAL:
 - ① HOUSING: THERMOPLASTIC W/ 30% G/F UL 94V-0 ; COLOR: BLACK.
 - ② THERMOPLASTIC HIGH TEMP. W/ 30% G/F UL 94V-0 ; COLOR: BLACK.
 - ③ CONTACT: PHOSPHOR BRONZE
 - ④ FRONT SHIELD: BRASS
 - ⑤ REAR SHIELD: BRASS
 - ⑥ GROUND FINGER: BRASS
 - FINISH:
 - CONTACT : (SEE TABLE) GOLD PLATED IN CONTACT AREA. 150μ"~250μ" TIN ON SOLDER TAILS, 50μ" MIN NICKEL UNDERPLATED ALL OVER.
 - FRONT SHIELD: 100μ" MIN. TIN PLATED ON ENTIRE 50μ" MIN. NICKEL UNDERPLATE OVER ALL.
 - REAR SHIELD: 120μ" MIN. NICKEL PLATED.
 - GROUND FINGER: 100μ" MIN. TIN PLATED ON ENTIRE 50μ" MIN. NICKEL UNDERPLATE OVER ALL. 100μ" MIN. NICKEL UNDERPLATE OVER ALL.
- REFLOW SOLDER CAPABLE TO 260°C PER TYCO SPEC. 109-201, CONDITION B.
WAVE SOLDER CAPABLE TO 265°C PER TYCO SPEC. 109-202, CONDITION B.



RECOMMENDED USB CABLE



DETAIL A

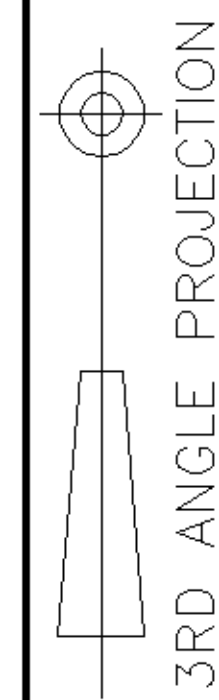
⑤	W/O	④	①	30μ"	3-1734383-2
	W/	③	①	30μ"	1-1734383-2
⑥	W/	③	②	15μ"	1-1734383-1
				30μ"	1734383-2
				15μ"	1734383-1
SOLDERING PROCESS	FRONT SPRING	GROUND FINGER	HOUSING MATERIAL	MIN. GOLD THICKNESS	PART NUMBER

A	REVISED PACKING	ECR-05-005728	SH WK	29JUN 2005
O	FIRST RELEASED	FZ00-0204-04	SH WK	17SEP 2004
LTR	REVISION RECORD	ECN	DWN CHK	DATE

TOLERANCES UNLESS OTHERWISE SPECIFIED:	DWN	S. HOU
0 PLC ±		29-JUN-2005
1 PLC ±0.25	CHK	W.J. KE
2 PLC ±0.20		29-JUN-2005
3 PLC ±		
ANGLES ±3°		
MATERIAL	APVD	J. WU
SEE NOTE		29-JUN-2005
FINISH	PRODUCT SPEC	
SEE NOTE	108-57391	
	QUALIFICATION TEST REPORT	
	501-57423	
	WEIGHT	
	18 GRAM	

TYCO		TYCO HOLDINGS (BERMUDA) VII LTD. TAIWAN BRANCH	
RECEPTACLE ASS'Y, FOURFOLD STACKED, THRU-HOLE, RIGHT ANGLE, USB.			
LOC	SIZE	DRAWING NO	REV
DW	A ₃	C-1734383	A
SCALE	SHEET		
--	1 OF 2		

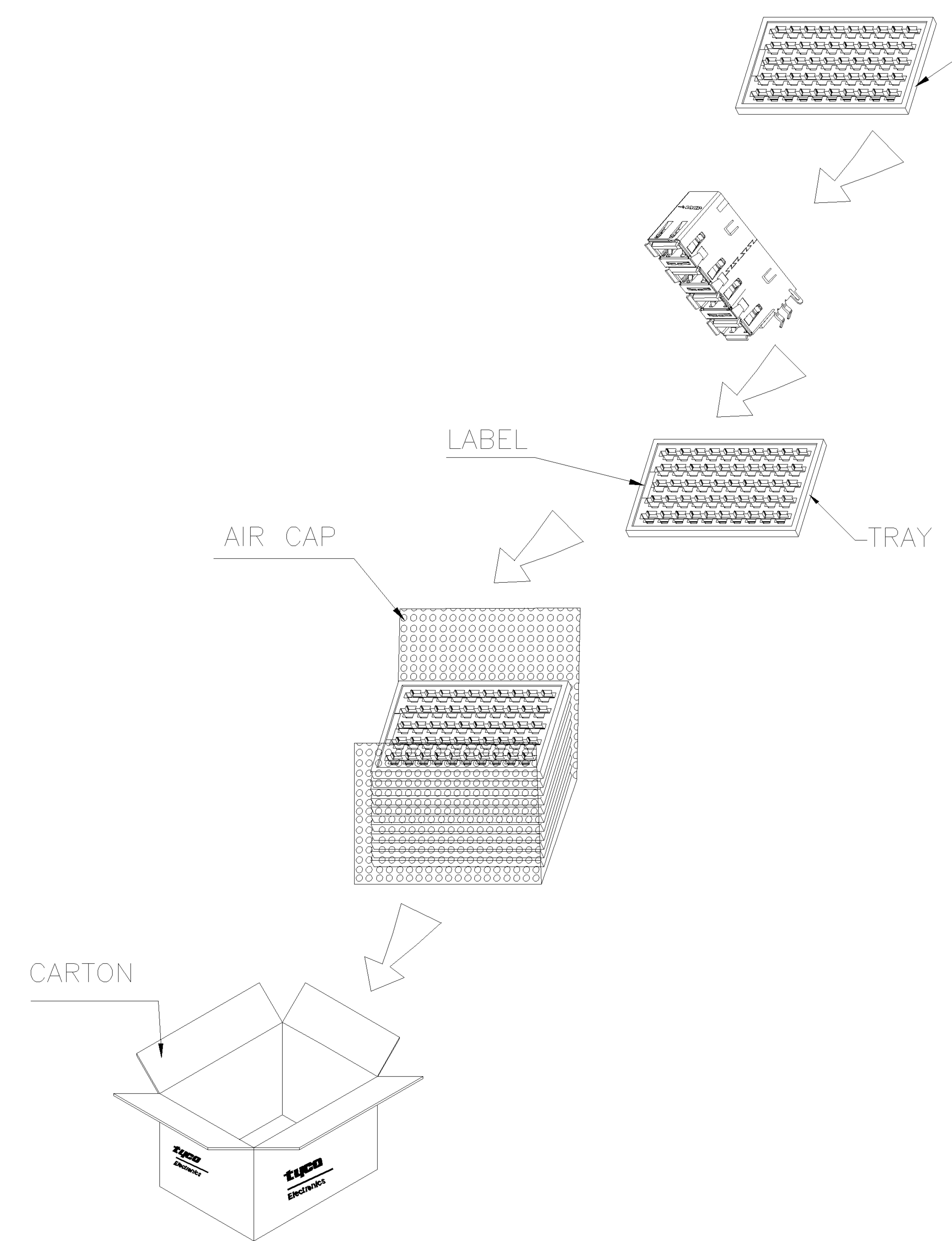
NUMBER
C-1734383



METRIC

THIS INFORMATION IS CONFIDENTIAL AND IS DISCLOSED TO YOU ON CONDITION THAT NO FURTHER DISCLOSURE IS MADE BY YOU TO OTHER THAN AMP PERSONNEL WITHOUT WRITTEN AUTHORIZATION FROM AMP (TAIWAN) LTD. DIMENSIONS IN MILLIMETERS. DO NOT SCALE PRINT.

PRINT
DW



- NOTES :
1. MATERIAL :
 - 1.1 TRAY : PS T=0.9
 - 1.2 SHIPPING CARTON : CORRUGATED FIBERBOARD
 2. DIMENSION :
 - 2.1 TRAY : L=443, W=279, H=38
 - 2.1 SHIPPING CARTON : L=455, W=300, H=194
 3. QUANTITY :
 - 3.1 PRIMARY PACKING: 50 PCS/TRAY
 - 3.2 SECONARY PACKING: 4 TRAYS/CARTON(200PCS)
 4. WEIGHT :
 - 4.1 NET WEIGHT : 3.60Kg
 - 4.2 GROSS WEIGHT : 6.122Kg

8 | 7 | 6 | 5 | 4 | 3 | 2 | 1
CUSTOMER DRAWING

LTR	SEE SHEET 1.	ECN	DWN	DATE
	REVISION RECORD		CHK	

TOLERANCES UNLESS OTHERWISE SPECIFIED:		DWN	S. HOU	tyco TYCO HOLDINGS (BERMUDA) VII LTD. TAIWAN BRANCH
0 PLC ±			29-JUN-2005	
1 PLC ±		CHK	W.J. KE	NAME RECEPTACLE ASS'Y, FOURFOLD STACKED, THRU-HOLE, RIGHT ANGLE, USB.
2 PLC ±			29-JUN-2005	
3 PLC ±				LOC DW SIZE A ₃ DRAWING NO C-1734383 REV A
ANGLES ±3'				
MATERIAL	SEE NOTE	APVD	J. WU	SCALE --
		PRODUCT SPEC	29-JUN-2005	
FINISH	SEE NOTE	APPLICATION SPEC		SHEET 2 OF 2
		WEIGHT		