



Chipsmall Limited consists of a professional team with an average of over 10 year of expertise in the distribution of electronic components. Based in Hongkong, we have already established firm and mutual-benefit business relationships with customers from,Europe,America and south Asia,supplying obsolete and hard-to-find components to meet their specific needs.

With the principle of “Quality Parts,Customers Priority,Honest Operation,and Considerate Service”,our business mainly focus on the distribution of electronic components. Line cards we deal with include Microchip,ALPS,ROHM,Xilinx,Pulse,ON,Everlight and Freescale. Main products comprise IC,Modules,Potentiometer,IC Socket,Relay,Connector.Our parts cover such applications as commercial,industrial, and automotives areas.

We are looking forward to setting up business relationship with you and hope to provide you with the best service and solution. Let us make a better world for our industry!



Contact us

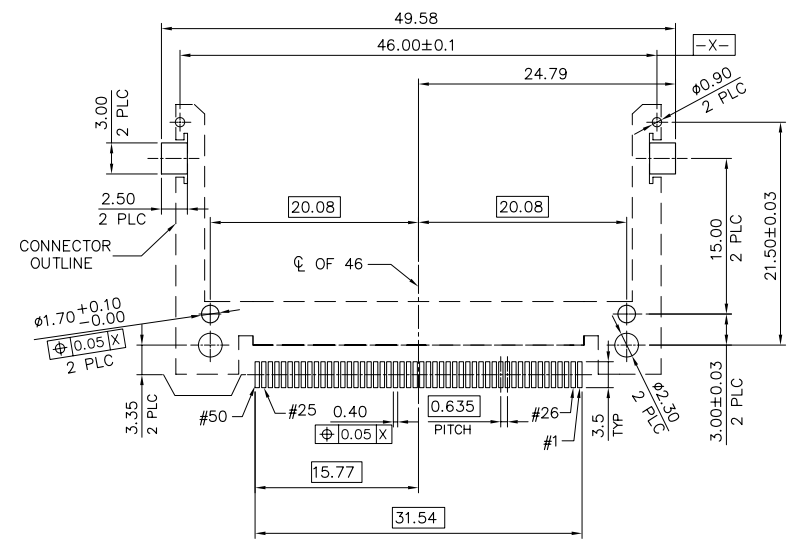
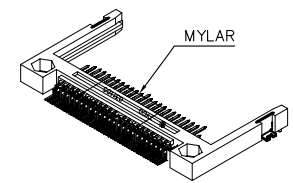
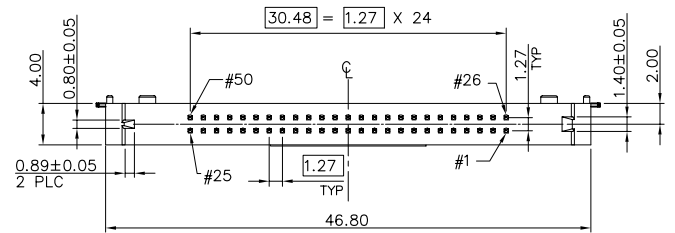
Tel: +86-755-8981 8866 Fax: +86-755-8427 6832

Email & Skype: info@chipsmall.com Web: www.chipsmall.com

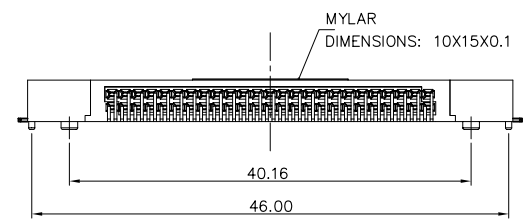
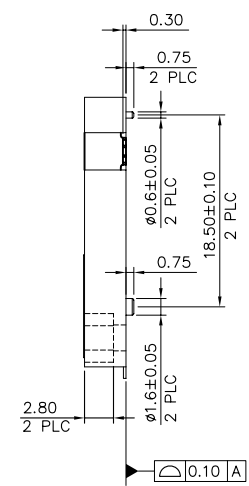
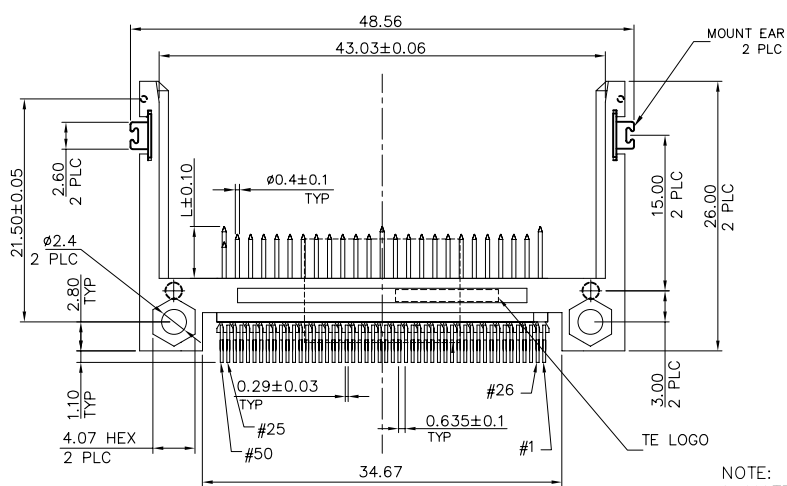
Address: A1208, Overseas Decoration Building, #122 Zhenhua RD., Futian, Shenzhen, China



LOC	DIST	REVISIONS			
P	LTR	DESCRIPTION	DATE	DWN	APVD
DW		D2	REVISED (ECR-12-008795)	31MAY12	JL WK



RECOMMEND PCB LAYOUT
 TOLERANCE: ±0.05



- NOTE:
 1. MATERIAL:
 HOUSING: THERMOPLASTIC., UL 94V-0, COLOR: NATURAL.
 CONTACT: BRASS, THICKNESS=0.25mm.
 MOUNT EAR: BRASS, THICKNESS=0.30mm.
 MYLAR: POLYETHYLENE
 2. FINISH:
 CONTACT: GOLD PLATED (SEE TABLE) IN CONTACT AREA,
 GOLD OR TIN PLATING (SEE TABLE) ON SOLDER TAILS,
 1.27um [50u"] MIN. NICKEL UNDERPLATED ALL OVER.
 MOUNT EAR: 2.54um [100u"] MIN. TIN PLATED.
 3. CONNECTOR REQUIRES USE OF 2 - SIZE M2 SCREWS FOR
 FASTENING TO PRINTED CIRCUIT BOARD.
 4. REFLOW SOLDER CAPABLE TO 260°C PER TE SPEC
 109-201, CONDITION B.

G/F	REEL	W/	15µ"	3-1734451-1	AVAILABLE
MATTE-TIN 2.54um [100u"] MIN.	REEL	W/	15µ"	2-1734451-1	AVAILABLE
	TRAY	W/	G/F	1-1734451-3	OBSOLETE
			30µ"	1-1734451-2	OBSOLETE
			15µ"	1-1734451-1	AVAILABLE
		W/O	30µ"	1734451-2	OBSOLETE
		15µ"	1734451-1	AVAILABLE	
PLATING ON SOLDER TAILS	PACKAGE	MYLAR	MIN. GOLD THICKNESS	PART NUMBER	PART STATUS

POWER	5.00mm	1, 13, 38, 50
GENERAL	4.25mm	ALL OTHER PINS
DETECT	3.50mm	25, 26
PIN TYPE	INTERFACE DIM. L	PIN NO.

THIS DRAWING IS A CONTROLLED DOCUMENT.

DWN S. CHIEN 21JAN2008	TE Connectivity PIN HEADER SLIM TYPE, 50 POS, TOP BOARD, COMPACT FLASH CARD
CHK S. HOU 21JAN2008	
APVD W. KODAMA 21JAN2008	
NAME 108-57134	
PRODUCT SPEC 108-57134	QUALIFICATION TEST REPORT 501-57118
MATERIAL SEE NOTE	FINISH SEE NOTE
WEIGHT	CUSTOMER DRAWING

SIZE A3	CAGE CODE 00779	DRAWING NO C=1734451	RESTRICTED TO
SCALE	SHEET 1 of 3	REV D2	

4

3

2

1

THIS DRAWING IS UNPUBLISHED.

RELEASED FOR PUBLICATION

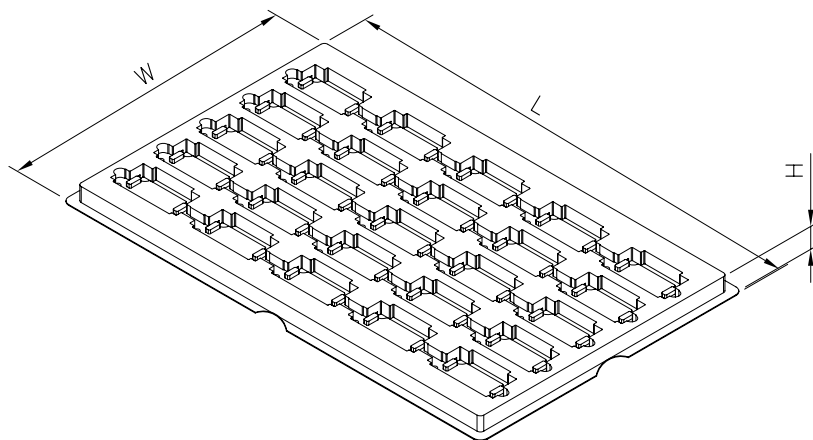
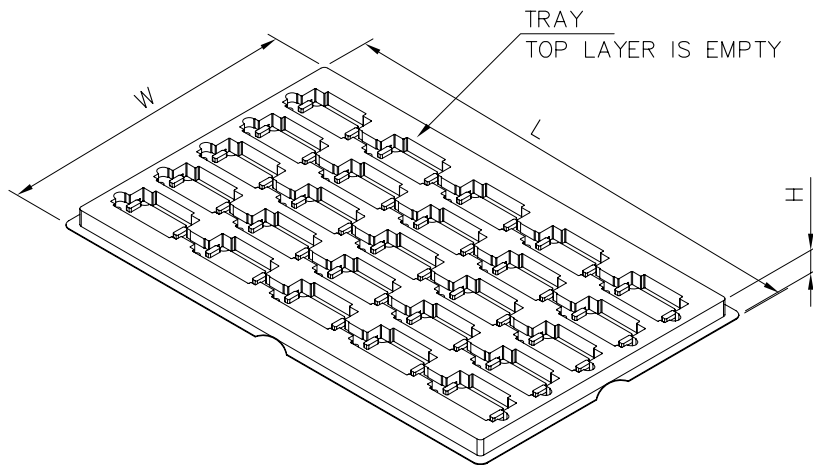
© COPYRIGHT BY TYCO ELECTRONICS CORPORATION. ALL RIGHTS RESERVED.

LOC DW DIST

REVISIONS

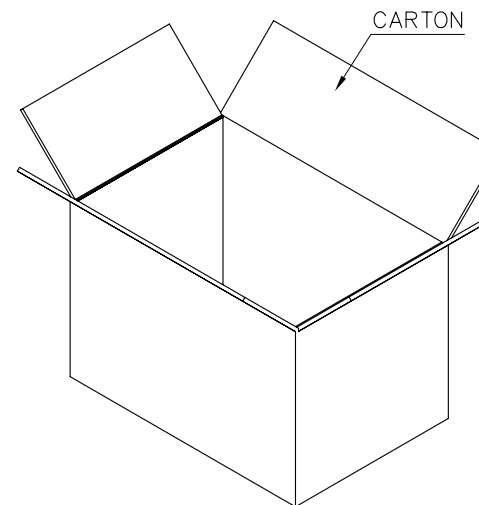
P	LTR	DESCRIPTION	DATE	DWN	APVD
		SEE SHEET 1.			


TRAY PACKING: AS SHOWN



NOTES:

1. TRAY: PS.
SHIPPING CARTON: CORRUGATED FIBERBOARD
2. DIMENSION :
TRAY : L=346mm X W=215mm X H=7.5mm
SHIPPING CARTON : L=356mm, W=241mm, H=292mm
3. QUANTITY :
25 PCS/TRAY
40 TRAYS/SHIPPING CARTON (1,000PCS)
4. WEIGHT:
NET WEIGHT : 5.0 Kg
GROSS WEIGHT : 6.0 Kg



THIS DRAWING IS A CONTROLLED DOCUMENT.		DWN	 TE Connectivity	
		CHK		
DIMENSIONS: MM		APVD	NAME	
TOLERANCES UNLESS OTHERWISE SPECIFIED:		PRODUCT SPEC	PIN HEADER SLIM TYPE, 50 POS, TOP BOARD, COMPACT FLASH CARD	
0 PLC ± -		APPLICATION SPEC	SIZE	CAGE CODE
1 PLC ± -			A3	00779
2 PLC ± -		WEIGHT	DRAWING NO	
3 PLC ± -			C=1734451	
4 PLC ± -		CUSTOMER DRAWING	SCALE	SHEET
ANGLES ± -				2 of 3
MATERIAL	FINISH		REV	D2

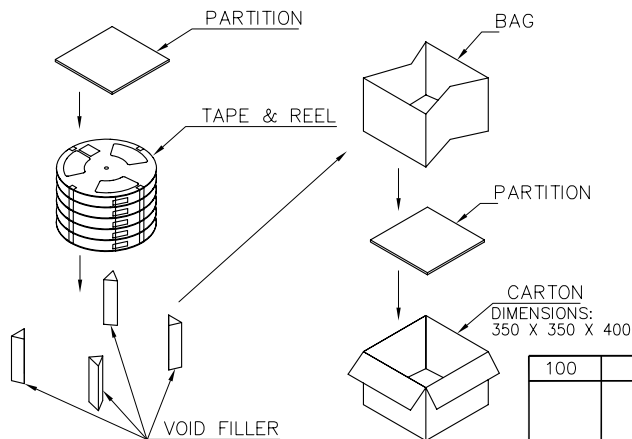
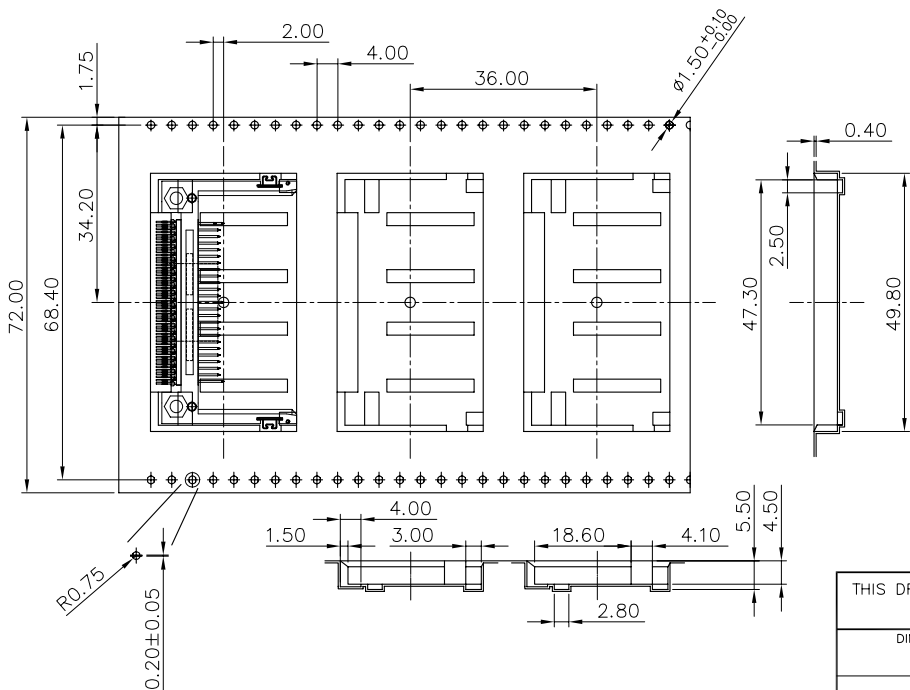
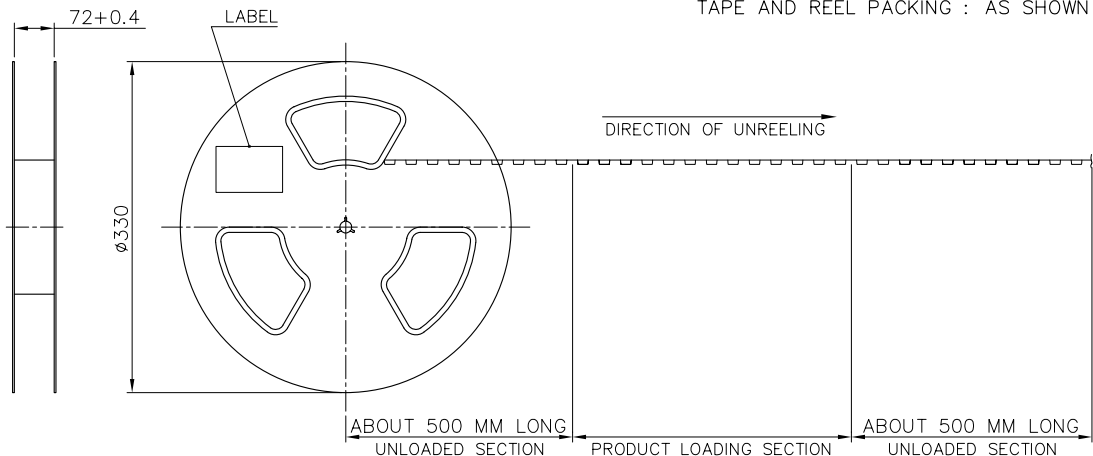
THIS DRAWING IS UNPUBLISHED. RELEASED FOR PUBLICATION
 © COPYRIGHT BY TYCO ELECTRONICS CORPORATION. ALL RIGHTS RESERVED.

LOC		DIST		REVISIONS			
P	LTR	DESCRIPTION		DATE	DWN	APVD	
SEE SHEET 1.							

TAPE AND REEL PACKING : AS SHOWN

NOTE:

- PACKAGING MATERIAL IN PLASTIC, RUBBER, INK, PIGMENT AND PAINT MUST MEET CONTROLLED SUBSTANCES TE SPEC PER 230-702 (REV.E).
 - * CADMIUM AND CADMIUM COMPOUNDS NOT TO EXCEED: 5 PPM.
 - * LEAD, CADMIUM, CHROM VI AND MERCURY NOT TO EXCEED: 100 PPM (COMBINED).
- EACH BAG SHALL BE INCLUDED:
 - * DESICCANT
 - * HUMIDITY INDICATOR CARD
 - * MOISTURE SENSITIVITY LABEL
- CARRIER TAPES, COVER TAPES, REELS AND TAPED COMPONENTS MUST MEET THE REQUIREMENTS DEFINED PER EIA-481-B.
- CARTON MATERIAL : CORRUGATED FIBERBOARD
TAPE&REEL MATERIAL : PS
- PEELING RESISTANCE : 0.1N~1.5N(10g~150g)
PEELING SPEED : 300mm/MIN



PCS/TAPE	REELS/CARTON	QUANTITY (PCS)	G/W (Kg)	N/W (Kg)	PART NUMBER
100	5	500	1.19	3.66	3-1734451-1
					2-1734451-1
					1-1734451-3
200	5	1000	3.45	7.9	1-1734451-2
					1-1734451-1
					1734451-2
					1734451-1

THIS DRAWING IS A CONTROLLED DOCUMENT.

DIMENSIONS: MM	TOLERANCES UNLESS OTHERWISE SPECIFIED:	DWN	TE Connectivity		
0 PLC ±	1 PLC ±	CHK	NAME		
2 PLC ±	3 PLC ±	APVD	PIN HEADER SLIM TYPE, 50 POS, TOP BOARD, COMPACT FLASH CARD		
4 PLC ±	ANGLES ±	PRODUCT SPEC	SIZE	CAGE CODE	DRAWING NO
MATERIAL	FINISH	APPLICATION SPEC	A3	00779	G=1734451
		WEIGHT	RESTRICTED TO		
		CUSTOMER DRAWING	SCALE	SHEET	REV
				3 of 3	D2