



Chipsmall Limited consists of a professional team with an average of over 10 year of expertise in the distribution of electronic components. Based in Hongkong, we have already established firm and mutual-benefit business relationships with customers from,Europe,America and south Asia,supplying obsolete and hard-to-find components to meet their specific needs.

With the principle of “Quality Parts,Customers Priority,Honest Operation,and Considerate Service”,our business mainly focus on the distribution of electronic components. Line cards we deal with include Microchip,ALPS,ROHM,Xilinx,Pulse,ON,Everlight and Freescale. Main products comprise IC,Modules,Potentiometer,IC Socket,Relay,Connector.Our parts cover such applications as commercial,industrial, and automotives areas.

We are looking forward to setting up business relationship with you and hope to provide you with the best service and solution. Let us make a better world for our industry!



Contact us

Tel: +86-755-8981 8866 Fax: +86-755-8427 6832

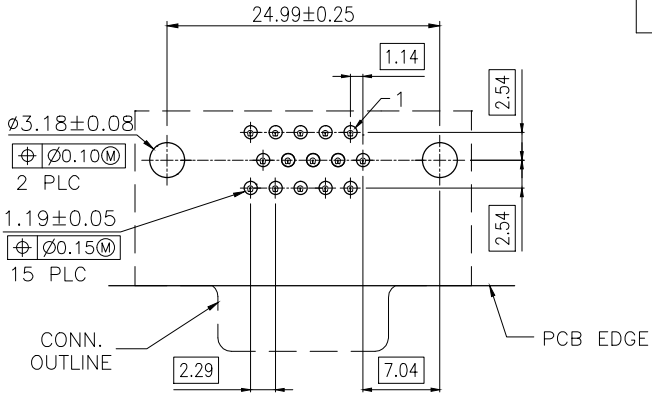
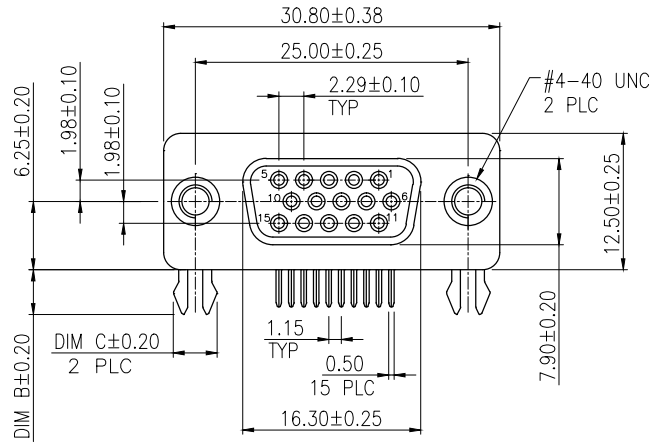
Email & Skype: info@chipsmall.com Web: www.chipsmall.com

Address: A1208, Overseas Decoration Building, #122 Zhenhua RD., Futian, Shenzhen, China



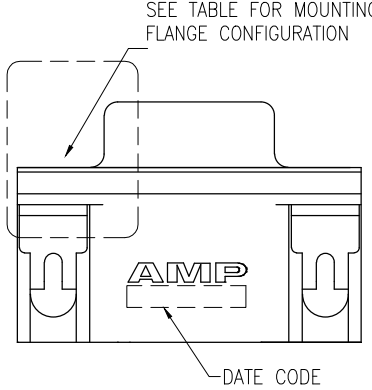
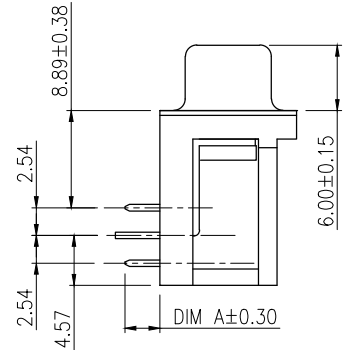
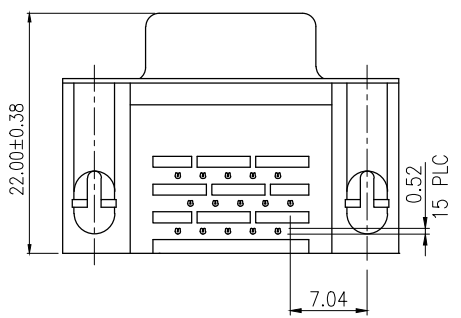
THIS DRAWING IS UNPUBLISHED.
 RELEASED FOR PUBLICATION
 ALL RIGHTS RESERVED.

LOC		DIST		REVISIONS			DATE	DWN	APVD
DW				P	LTR	DESCRIPTION			
				B3		REVISED (ECR-14-000726)	30APR14	S.C	H.L

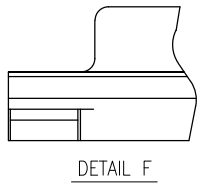
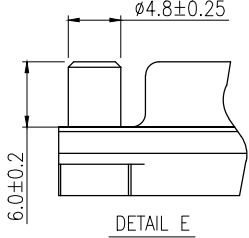
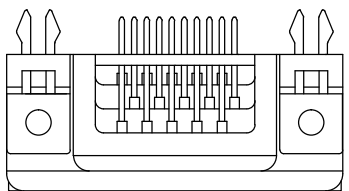


RECOMMENDED P.C. BOARD LAYOUT
 <TOP VIEW>

- NOTES:
- MATERIAL:
 - HOUSING: THERMOPLASTIC(NY9T), UL 94V-0 RATED,BLACK
 - CONTACTS: PHOPHOR BRONZE
 - SHELL: SPPC
 - BOARDLOCKS: BRASS
 - RIVET: BRASS
 - SCREWLOCK: BRASS
 - FINISH:
 - CONTACT:
 - GOLD PLATING ON CONTACT AREA. (SEE TABLE)
 - 2.54µm[100µ"] MIN. MATTE TIN PLATING ON SOLDER TAIL AREA,
 - 1.27µm[50µ"] MIN. NICKEL UNDERPLATING OVERALL,
 - BOARDLOCK:
 - 2.54µm[100µ"] MIN MATTE TIN PLATING
 - 1.27µm[50µ"] MIN NICKEL UNDERPLATING OVERALL,
 - SHELL: NICKEL PLATED
 - RIVET: NICKEL PLATING 0.76µm[30µ"] OVERALL.
 - FIXED SCREWLOCK: NICKEL PLATING 0.76µm[30µ"]. MEETS 6 IN-LB TORQUE.
 - RECOMMENDED PCB THICKNESS: 1.6 mm
 - REFLOW SOLDER CAPABLE TO 260°C PER TE CONNECTIVITY SPEC. 109-201, CONDITION B.
 - NET WEIGHT: 10.24 g/pcs. (WITH SCREWLOCK)
 8.24 g/pcs. (W/O SCREWLOCK)
- ⚠ BOARDLOCK INSERTION FORCE: 1.5±0.5 Kgf [15±5 N].
 FOR 5-1734530-3 & 6-1734530-3 ONLY.



SEE TABLE FOR MOUNTING FLANGE CONFIGURATION



OBSELETE	TAPE&REEL	DETAIL E	W/	3.78	3.20	3.18	30 µ"	5-1734530-3
	TUBE	DETAIL F	W/	4.00	4.10	3.18	30 µ"	2-1734530-3
	TRAY	DETAIL F	W/	4.00	4.10	3.18	30 µ"	1-1734530-3
	TRAY	DETAIL F	W/	4.00	4.10	3.18	G/F	1-1734530-1
	TRAY	DETAIL E	W/	4.00	4.10	3.18	30 µ"	1734530-3
	TAPE&REEL	DETAIL F	W/	3.78	3.20	3.18	30 µ"	6-1734530-3
	TRAY	DETAIL F	W/O	4.00	4.10	3.18	30 µ"	3-1734530-3
	TUBE	DETAIL F	W/	4.00	4.10	3.18	15 µ"	2-1734530-2
	TUBE	DETAIL F	W/	4.00	4.10	3.18	G/F	2-1734530-1
	TRAY	DETAIL F	W/	4.00	4.10	2.16	30 µ"	1-1734530-6
	TRAY	DETAIL F	W/	4.00	4.10	2.16	15 µ"	1-1734530-5
	TRAY	DETAIL F	W/	4.00	4.10	2.16	G/F	1-1734530-4
	TRAY	DETAIL F	W/	4.00	4.10	3.18	15 µ"	1-1734530-2
	TRAY	DETAIL E	W/	4.00	4.10	2.16	30 µ"	1734530-6
	TRAY	DETAIL E	W/	4.00	4.10	2.16	15 µ"	1734530-5
	TRAY	DETAIL E	W/	4.00	4.10	2.16	G/F	1734530-4
	TRAY	DETAIL E	W/	4.00	4.10	3.18	15 µ"	1734530-2
	TRAY	DETAIL E	W/	4.00	4.10	3.18	G/F	1734530-1
	PACKAGING	MOUNTING FLANGE CONFIGURATION	BOARDLOCK OPTION	DIM C	DIM B	DIM A	Gold Finish	PART NO.

THIS DRAWING IS A CONTROLLED DOCUMENT.

DWN J. LEE 22MAR2007
 CHK S. HOU 22MAR2007
 APVD W.J. KE 22MAR2007

DIMENSIONS: MM

TOLERANCES UNLESS OTHERWISE SPECIFIED:
 0 PLC ± -
 1 PLC ± 0.38
 2 PLC ± 0.25
 3 PLC ± 0.15
 4 PLC ± -
 ANGLES ± -

MATERIAL SEE NOTE FINISH SEE NOTE

108-57541
 QUALIFICATION TEST REPORT
 501-57623

WEIGHT SEE NOTE

CUSTOMER DRAWING

TE Connectivity

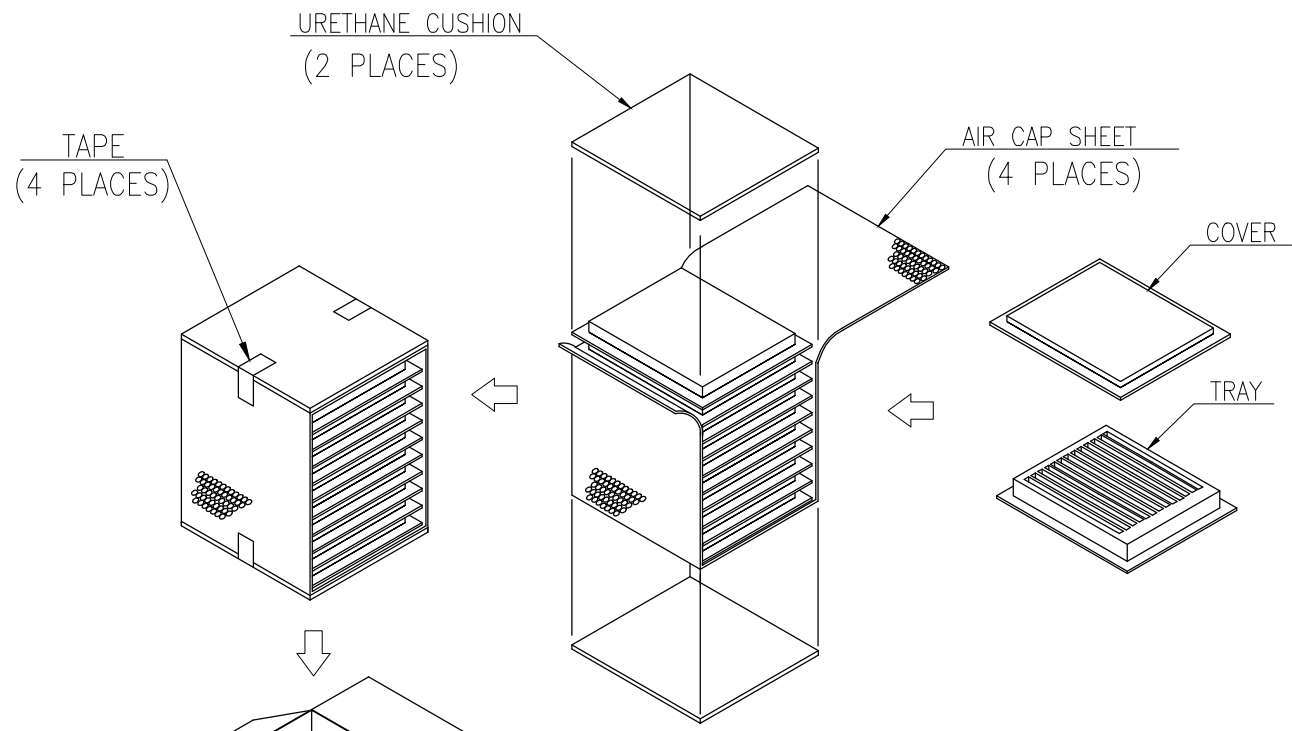
RECEPTACLE ASSY, SIZE 1, 15 POSITION, RIGHT ANGLE, THROUGH HOLE

SIZE A3 CAGE CODE 00779 DRAWING NO C=1734530 RESTRICTED TO

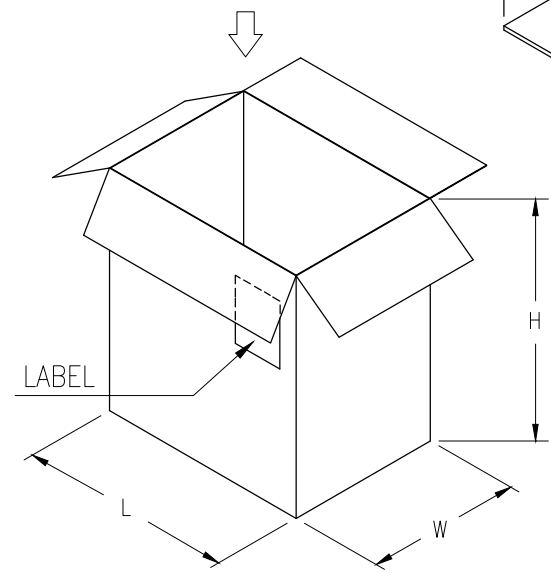
SCALE SHEET 1 of 4 REV B3

THIS DRAWING IS UNPUBLISHED. RELEASED FOR PUBLICATION
 © COPYRIGHT - BY - ALL RIGHTS RESERVED.

LOC	DIST	REVISIONS					
DW		P	LTR	DESCRIPTION	DATE	DWN	APVD
		SEE SHEET 1.					



- NOTES:
- MATERIAL:
 - 1.1 TRAY: PVC
 - 1.2 SHIPPING CARTON: CORRUGATED FIBERBOARD
 - DIMENSION:
 - 2.1 TRAY: L=320, W=230, H=18.9
 - 2.2 SHIPPING CARTON: L=361, W=245, H=272
 - QUANTITY:
 - 3.1 PRIMARY PACKING: 100 PCS/TRAY
 - 3.2 SECONDARY PACKING: 10 TRAY/CARTON(1000PCS)
 - CARTON WEIGHT:
 - 4.1 NET WEIGHT: 10.24 Kg (W/SCREWLOCK)
 - 4.2 GROSS WEIGHT: 11.24 Kg (W/SCREWLOCK)
 - 4.3 NET WEIGHT: 8.24 Kg (W/O SCREWLOCK)
 - 4.4 GROSS WEIGHT: 9.24 Kg (W/O SCREWLOCK)



THIS DRAWING IS A CONTROLLED DOCUMENT.		DWN			
DIMENSIONS: MM		CHK			
TOLERANCES UNLESS OTHERWISE SPECIFIED:		APVD	NAME		
0 PLC ± -		PRODUCT SPEC		RECEPTACLE ASSY, SIZE 1, 15 POSITION, RIGHT ANGLE, THROUGH HOLE	
1 PLC ± -		APPLICATION SPEC		SIZE	RESTRICTED TO
2 PLC ± -		WEIGHT		A3	
3 PLC ± -		CUSTOMER DRAWING		CAGE CODE	DRAWING NO
4 PLC ± -				00779	C=1734530
ANGLES ± -				SCALE	SHEET
FINISH					2 of 4
				REV	B3

4

3

2

1

THIS DRAWING IS UNPUBLISHED. RELEASED FOR PUBLICATION - , - .
 © COPYRIGHT - BY - ALL RIGHTS RESERVED.

LOC DW	DIST /	REVISIONS			DATE	DWN	APVD
P	LTR	DESCRIPTION	DATE	DWN	APVD		
		SEE SHEET 1.					

D

D

C

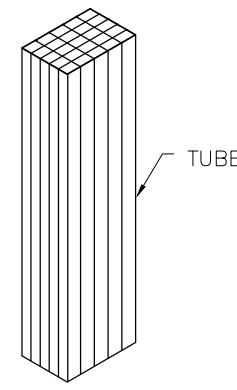
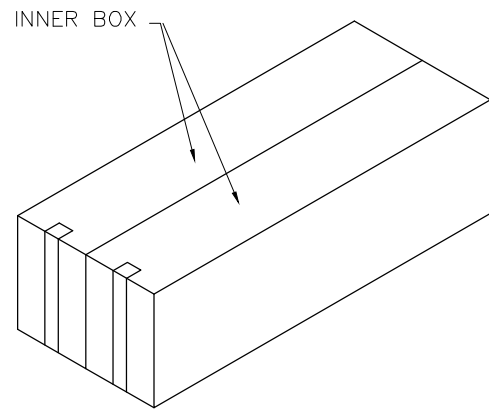
C

B

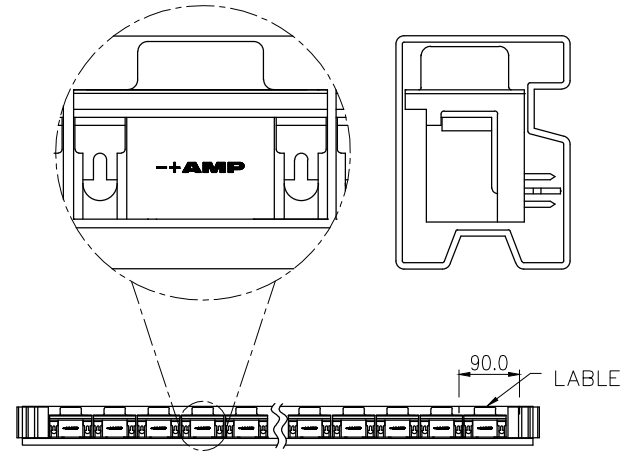
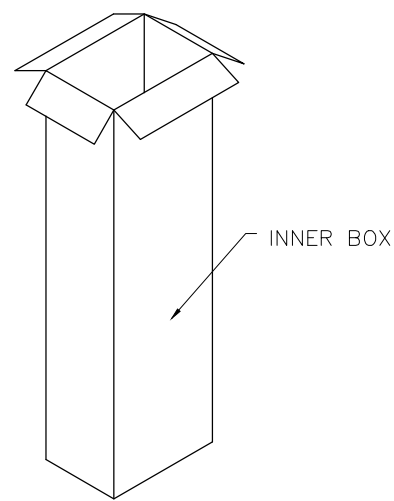
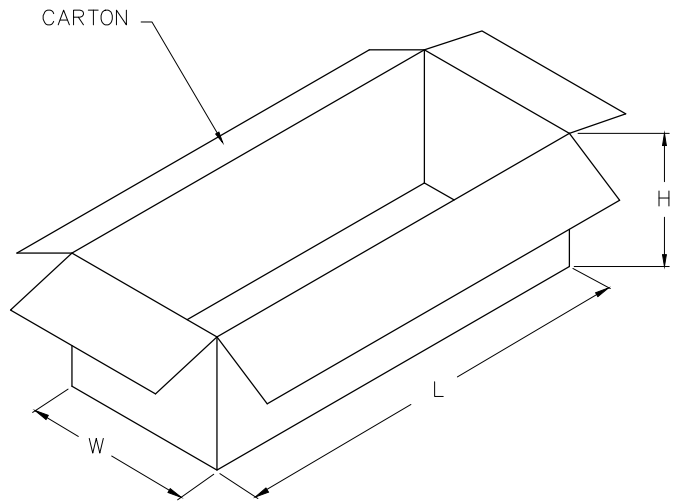
B

A

A



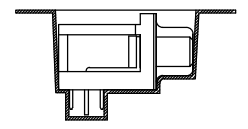
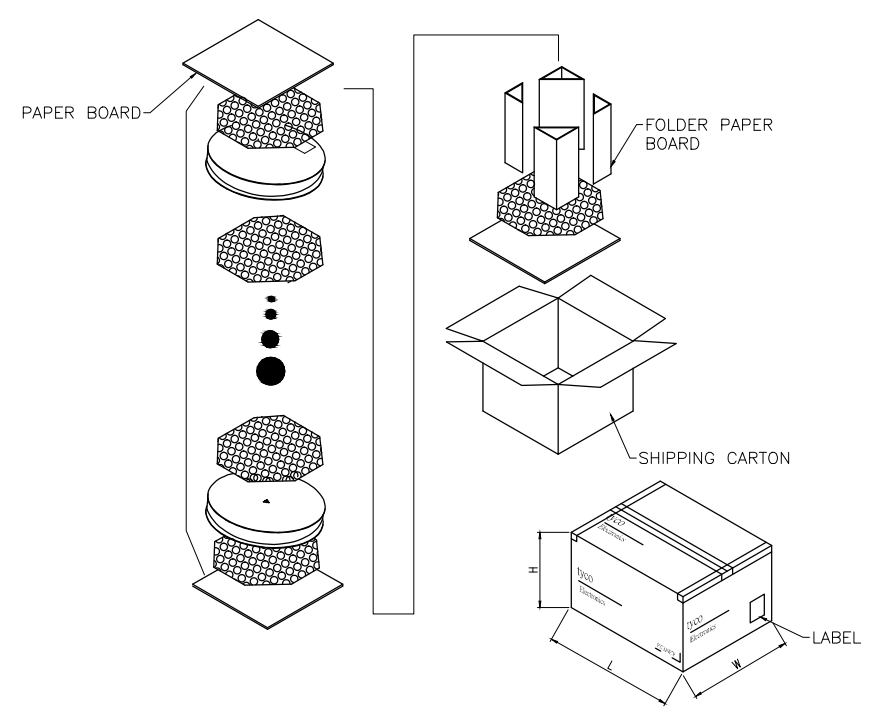
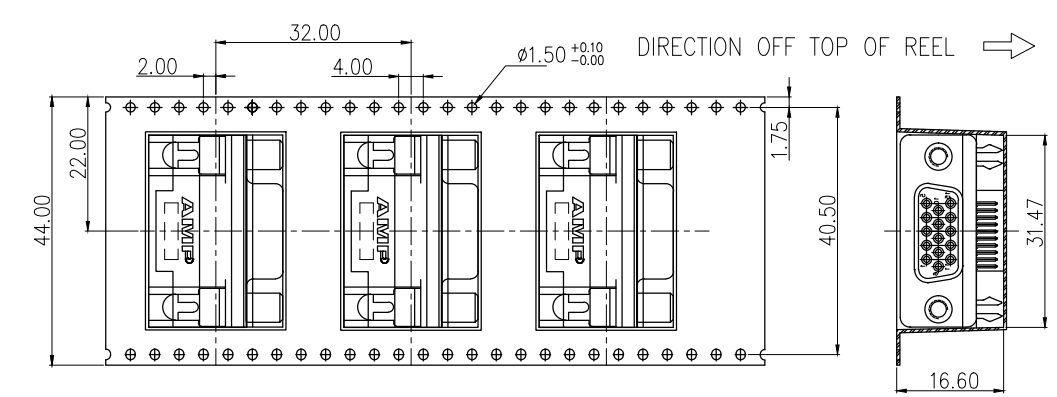
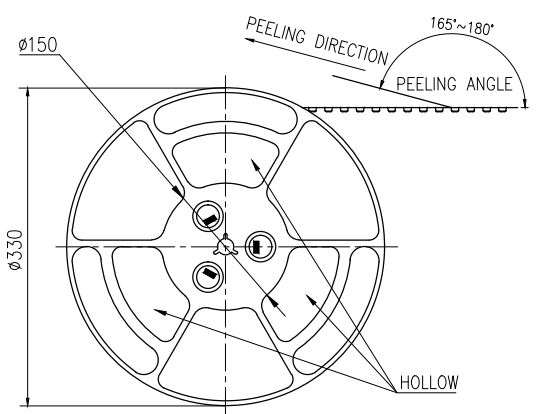
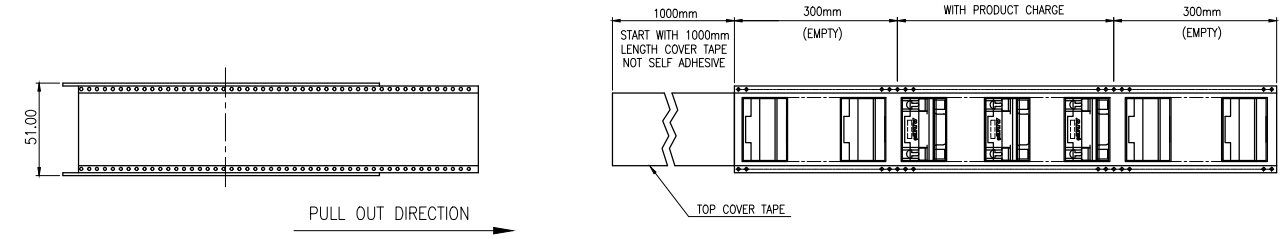
- NOTES:
- MATERIAL:
 - TUBE: PVC
 - SHIPPING CARTON: CORRUGATED FIBERBOARD
 - DIMENSION:
 - TUBE: L=560, W=17.8, H=27.4
 - SHIPPING CARTON: L=600, W=245, H=195
 - QUANTITY:
 - PRIMARY PACKING: 17 PCS/TUBE
 - SECONDARY PACKING: 25 TUBE/BOX
 - THIRD PACKING: 2 BOX/CARTON(850PCS)
 - CARTON WEIGHT:
 - NET WEIGHT: 8.7 Kg (W/O SCREWLOCK)
 - GROSS WEIGHT: 9.7 Kg (W/O SCREWLOCK)



THIS DRAWING IS A CONTROLLED DOCUMENT.		DWN -	 TE Connectivity	
DIMENSIONS: MM		CHK -		
TOLERANCES UNLESS OTHERWISE SPECIFIED: 0 PLC ± - 1 PLC ± - 2 PLC ± - 3 PLC ± - 4 PLC ± - ANGLES ± -		APVD -	NAME RECEPTACLE ASSY, SIZE 1, 15 POSITION, RIGHT ANGLE, THROUGH HOLE	
MATERIAL		PRODUCT SPEC -	SIZE CAGE CODE DRAWING NO RESTRICTED TO	
FINISH		APPLICATION SPEC -	A3 00779 C=1734530	
		WEIGHT -	CUSTOMER DRAWING	
		SCALE -	SHEET 3 of 4	REV B3

THIS DRAWING IS UNPUBLISHED. RELEASED FOR PUBLICATION ALL RIGHTS RESERVED. COPYRIGHT BY

LOC	DIST	REVISIONS					
DW		P	LTR	DESCRIPTION	DATE	DWN	APVD
		SEE SHEET 1.					



PRODUCT TYPE	PCS/REEL	REEL/CARTON	TOTAL(PCS)	CTN SIZE (CM)	NW(Kg)	GW(Kg)
D-SUB H/D 15P	100	6	600	360X360X350	5.4	5.9

THIS DRAWING IS A CONTROLLED DOCUMENT.

DIMENSIONS: MM	TOLERANCES UNLESS OTHERWISE SPECIFIED: 0 PLC ± - 1 PLC ± - 2 PLC ± - 3 PLC ± - 4 PLC ± - ANGLES ± -	DWN - CHK - APVD - PRODUCT SPEC - APPLICATION SPEC - WEIGHT -	NAME RECEPTACLE ASSY, SIZE 1, 15 POSITION, RIGHT ANGLE, THROUGH HOLE
MATERIAL	FINISH	SIZE A3	CAGE CODE 00779
		DRAWING NO C=1734530	RESTRICTED TO
		CUSTOMER DRAWING	SCALE -
		SHEET 4 of 4	REV B3

STE TE Connectivity