



Chipsmall Limited consists of a professional team with an average of over 10 year of expertise in the distribution of electronic components. Based in Hongkong, we have already established firm and mutual-benefit business relationships with customers from,Europe,America and south Asia,supplying obsolete and hard-to-find components to meet their specific needs.

With the principle of "Quality Parts,Customers Priority,Honest Operation,and Considerate Service",our business mainly focus on the distribution of electronic components. Line cards we deal with include Microchip,ALPS,ROHM,Xilinx,Pulse,ON,Everlight and Freescale. Main products comprise IC,Modules,Potentiometer,IC Socket,Relay,Connector.Our parts cover such applications as commercial,industrial, and automotives areas.

We are looking forward to setting up business relationship with you and hope to provide you with the best service and solution. Let us make a better world for our industry!



## Contact us

Tel: +86-755-8981 8866 Fax: +86-755-8427 6832

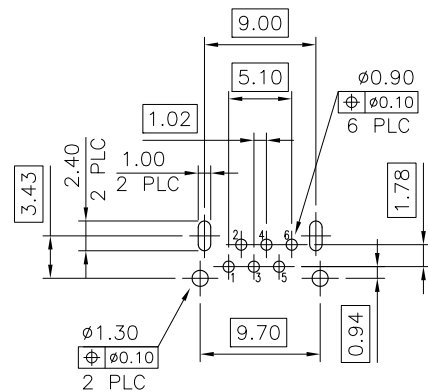
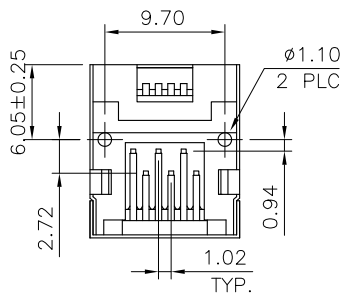
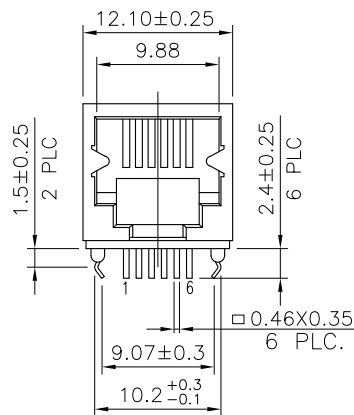
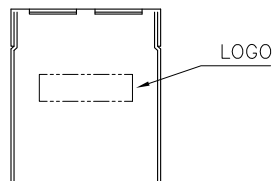
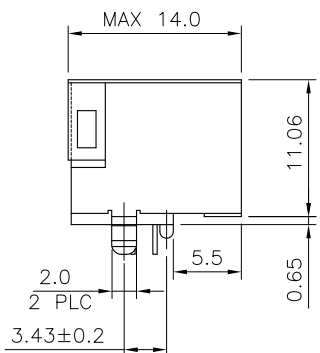
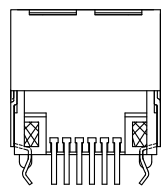
Email & Skype: info@chipsmall.com Web: www.chipsmall.com

Address: A1208, Overseas Decoration Building, #122 Zhenhua RD., Futian, Shenzhen, China



THIS DRAWING IS UNPUBLISHED. RELEASED FOR PUBLICATION  
 © COPYRIGHT BY TYCO ELECTRONICS CORPORATION. ALL RIGHTS RESERVED.

|     |      |           |     |               |         |     |      |
|-----|------|-----------|-----|---------------|---------|-----|------|
| LOC | DIST | REVISIONS |     |               |         |     |      |
| DW  | -    | P         | LTR | DESCRIPTION   | DATE    | DWN | APVD |
|     |      | A2        |     | ECR-12-012115 | 26OCT12 | EL  | WK   |



RECOMMENDED PCB LAYOUT (THICKNESS: 1.6mm)  
 DIMENSION TOLERANCE: 1 PLC: ±0.1 2PLC: ±0.05

NOTE:

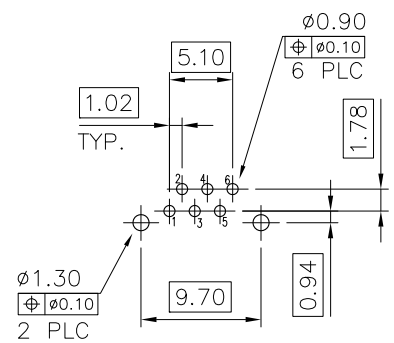
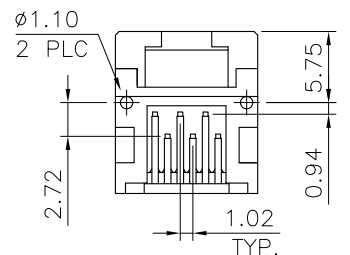
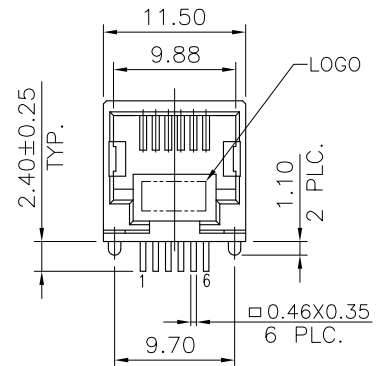
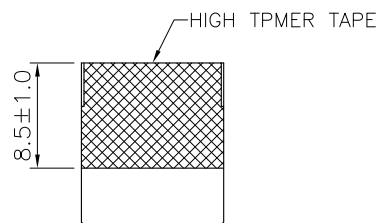
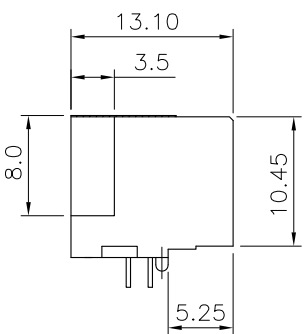
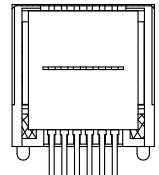
- MATERIAL:  
HOUSING: PA46 WITH 30% GF, UL94 V-0, BLACK COLOR.  
CONTACTS: PHOSPHOR BRONZE.  
SHIELD: BRASS.
  - FINISH:  
CONTACTS: (SEE TABLE) GOLD PLATED ON CONTACT AREA, GOLD FLASH ON SOLDER TAIL, WITH ENTIRE CONTACT UNDERPLATED 1.27µm [50µ"] MIN. NICKEL.  
SHIELD: 0.51µm [20µ"] MIN. NICKEL PLATED.
  - WAVE SOLDER CAPABLE TO 265°C PER 109-202, CONDITION B.
- ⚠️ OBSOLETE PARTS: OBSOLETE CIS STREAMLINING PER D.RENAUD/D.SINISI

|          |      |         |                     |             |
|----------|------|---------|---------------------|-------------|
| OBSOLETE | 6P2C | REEL    | 1.27µm [50µ"]       | 2-1734723-8 |
|          |      |         | 0.762µm [30µ"]      | 2-1734723-7 |
|          |      |         | 0.381µm [15µ"]      | 2-1734723-6 |
|          |      |         | 0.152µm [6µ"]       | 2-1734723-5 |
| OBSOLETE | 6P2C | TRAY    | 1.27µm [50µ"]       | 2-1734723-4 |
|          |      |         | 0.762µm [30µ"]      | 2-1734723-3 |
|          |      |         | 0.381µm [15µ"]      | 2-1734723-2 |
| OBSOLETE | 6P6C | REEL    | 1.27µm [50µ"]       | -1734723-8  |
|          |      |         | 0.762µm [30µ"]      | -1734723-7  |
|          |      | TRAY    | 0.381µm [15µ"]      | 1734723-6   |
|          |      |         | 0.152µm [6µ"]       | -1734723-5  |
| OBSOLETE | 6P6C | TRAY    | 1.27µm [50µ"]       | -1734723-4  |
|          |      |         | 0.762µm [30µ"]      | -1734723-3  |
|          |      |         | 0.381µm [15µ"]      | -1734723-2  |
|          | RJ11 | PACKAGE | MIN. GOLD THICKNESS | PART NUMBER |

|  |          |                  |           |                  |                     |   |           |
|--|----------|------------------|-----------|------------------|---------------------|---|-----------|
| THIS DRAWING IS A CONTROLLED DOCUMENT.   |          | DWN              | A. WU     | 10MAR2008        | <br>TE Connectivity | MODULAR JACK, RJ11,<br>SINGLE, DIP TYPE |           |
| DIMENSIONS: MM   |          | CHK              | S. HOU    | 10MAR2008        |                     |   |           |
| TOLERANCES UNLESS OTHERWISE SPECIFIED:   |          | APVD             | W. KODAMA | 10MAR2008        |                     |   |           |
| 0 PLC ± 0.50<br>1 PLC ± 0.30<br>2 PLC ± 0.20<br>3 PLC ± 0.10<br>4 PLC ± 0.10<br>ANGLES ± - ± - |          | PRODUCT SPEC     | 108-57527 |                  |                     |   |           |
| MATERIAL   | SEE NOTE | FINISH           | SEE NOTE  | APPLICATION SPEC | SIZE                | A3                                      |           |
|  |          | WEIGHT           | 3 GRAMS   | CAGE CODE        | -                   | DRAWING NO                              | ©=1734723 |
|  |          | CUSTOMER DRAWING |           | RESTRICTED TO    | -                   | SCALE                                   | -         |
|  |          |                  |           | SHEET            | 1 OF 5              | REV                                     | A2        |

THIS DRAWING IS UNPUBLISHED. RELEASED FOR PUBLICATION  
 © COPYRIGHT BY TYCO ELECTRONICS CORPORATION. ALL RIGHTS RESERVED.

|     |      |           |     |              |      |     |      |
|-----|------|-----------|-----|--------------|------|-----|------|
| LOC | DIST | REVISIONS |     |              |      |     |      |
| DW  | -    | P         | LTR | DESCRIPTION  | DATE | DWN | APVD |
|     |      |           |     | SEE SHEET 1. |      |     |      |



RECOMMENDED PCB LAYOUT (THICKNESS: 1.6mm)  
 DIMENSION TOLERANCE: 1 PLC: ±0.1 2PLC: ±0.05

NOTE:

- MATERIAL:  
HOUSING: PA46 WITH 30% GF, UL94 V-0, BLACK COLOR.  
CONTACTS: PHOSPHOR BRONZE.  
SHIELD: BRASS.
- FINISH:  
CONTACTS: (SEE TABLE) GOLD PLATED ON CONTACT AREA, GOLD FLASH ON SOLDER TAIL, WITH ENTIRE CONTACT UNDERPLATED 1.27µm [50µ"] MIN. NICKEL.
- WAVE SOLDER CAPABLE TO 265°C PER 109-202, CONDITION B.

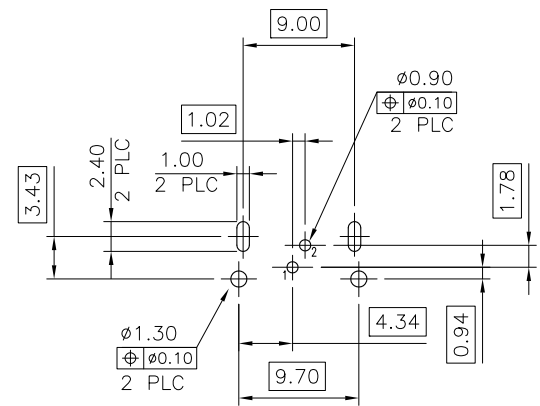
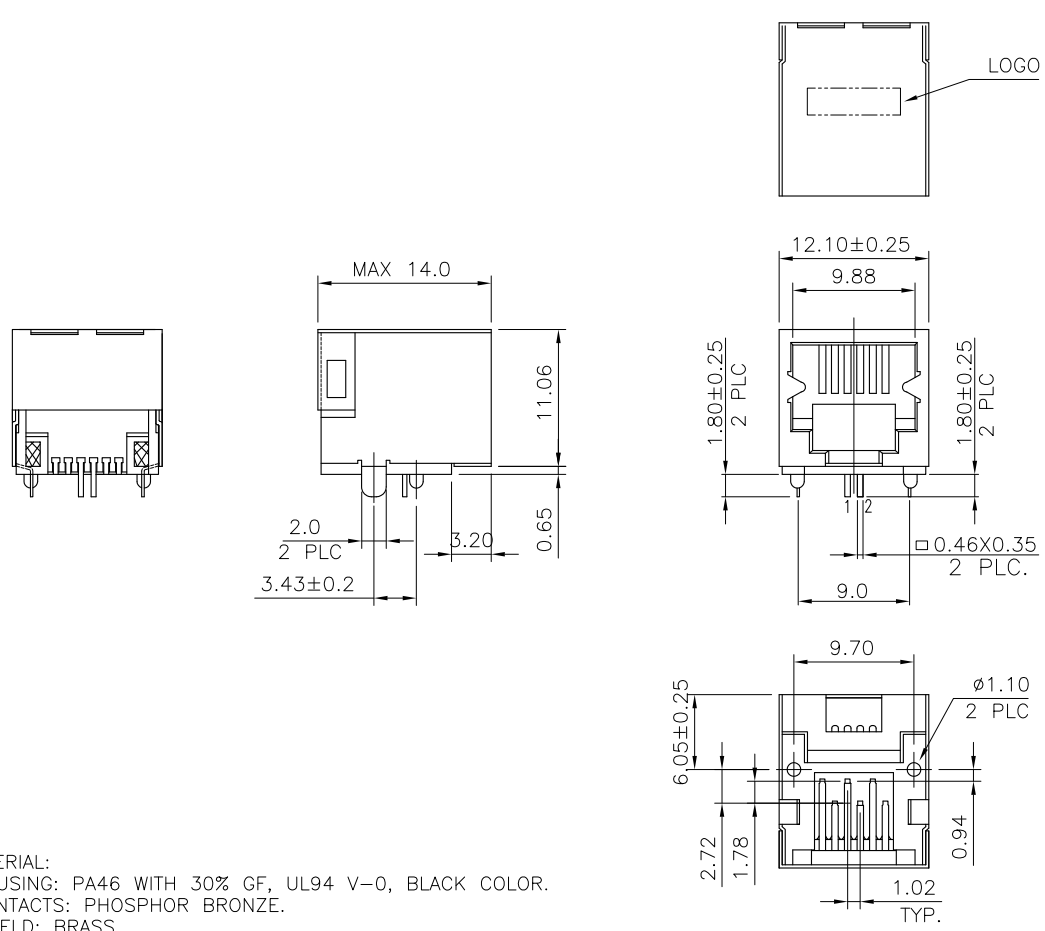
⚠ OBSOLETE PARTS: OBSOLETE CIS STREAMLINING PER D.RENAUD/D.SINISI

|          |      |         |                     |             |
|----------|------|---------|---------------------|-------------|
| OBSOLETE | 6P6C | REEL    | 1.27µm [50µ"]       | 1-1734723-8 |
|          |      |         | 0.762µm [30µ"]      | 1-1734723-7 |
| OBSOLETE | TRAY |         | 0.381µm [15µ"]      | 1-1734723-6 |
|          |      |         | 0.152µm [6µ"]       | 1-1734723-5 |
|          |      |         | 1.27µm [50µ"]       | 1-1734723-4 |
|          |      |         | 0.762µm [30µ"]      | 1-1734723-3 |
|          |      |         | 0.381µm [15µ"]      | 1-1734723-2 |
|          |      |         | 0.152µm [6µ"]       | 1-1734723-1 |
|          | RJ11 | PACKAGE | MIN. GOLD THICKNESS | PART NUMBER |

|  |          |              |           |                  |  |           |            |               |
|--|----------|--------------|-----------|------------------|--|-----------|------------|---------------|
| THIS DRAWING IS A CONTROLLED DOCUMENT.   |          | DWN          | A. WU     | 10MAR2008        | <br>TE Connectivity<br><br>MODULAR JACK, RJ11,<br>SINGLE, DIP TYPE |           |            |               |
| DIMENSIONS: MM   |          | CHK          | S. HOU    | 10MAR2008        |  |           |            |               |
| TOLERANCES UNLESS OTHERWISE SPECIFIED:   |          | APVD         | W. KODAMA | 10MAR2008        |  |           |            |               |
| 0 PLC ± 0.50<br>1 PLC ± 0.30<br>2 PLC ± 0.20<br>3 PLC ± 0.10<br>4 PLC ± 0.10<br>ANGLES ± - ± - |          | PRODUCT SPEC | 108-57527 |                  |  |           |            |               |
| MATERIAL   | SEE NOTE | FINISH       | SEE NOTE  | APPLICATION SPEC | SIZE   | CAGE CODE | DRAWING NO | RESTRICTED TO |
|  |          |              |           | WEIGHT           | 2.5 GRAMS  | A3        | -          | ©=1734723     |
| CUSTOMER DRAWING   |          |              |           | SCALE            | -  | SHEET     | 2 of 5     | REV A2        |

THIS DRAWING IS UNPUBLISHED. RELEASED FOR PUBLICATION  
 © COPYRIGHT BY TYCO ELECTRONICS CORPORATION. ALL RIGHTS RESERVED.

| LOC | DIST | REVISIONS |     |              |      |     |      |
|-----|------|-----------|-----|--------------|------|-----|------|
| DW  | -    | P         | LTR | DESCRIPTION  | DATE | DWN | APVD |
|     |      |           |     | SEE SHEET 1. |      |     |      |



RECOMMENDED PCB LAYOUT (THICKNESS: 1.6mm)  
 DIMENSION TOLERANCE: 1 PLC: ±0.1 2PLC: ±0.05

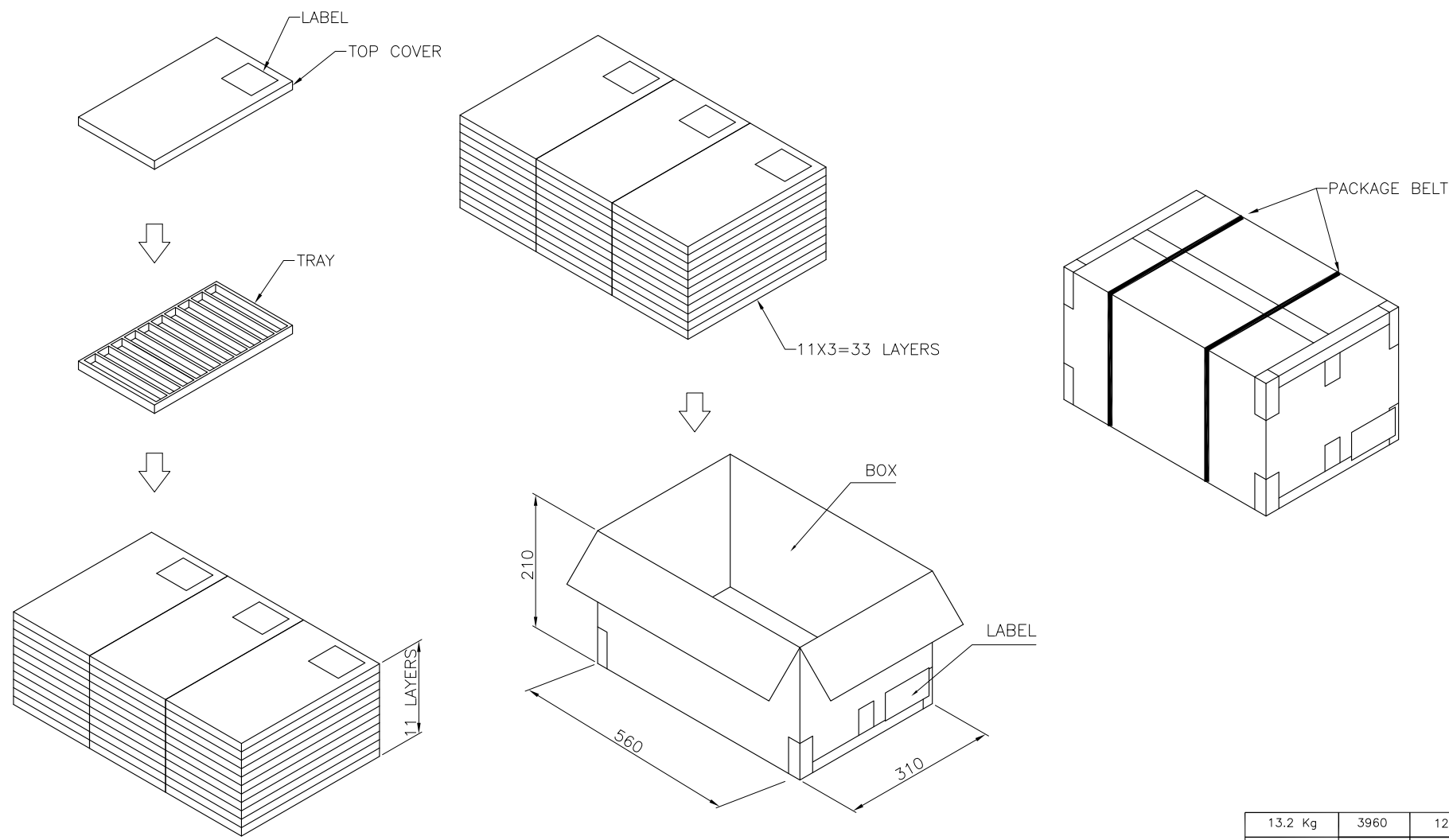
- NOTE:
- MATERIAL:  
 HOUSING: PA46 WITH 30% GF, UL94 V-0, BLACK COLOR.  
 CONTACTS: PHOSPHOR BRONZE.  
 SHIELD: BRASS.
  - FINISH:  
 CONTACTS: (SEE TABLE) GOLD PLATED ON CONTACT AREA, GOLD FLASH ON SOLDER TAIL, WITH ENTIRE CONTACT UNDERPLATED 1.27µm [50µ"] MIN. NICKEL.  
 SHIELD: 0.51µm [20µ"] MIN. NICKEL PLATED.
  - WAVE SOLDER CAPABLE TO 265°C PER TE TEST SPEC. 109-202, CONDITION B.

|          |      |         |                     |             |
|----------|------|---------|---------------------|-------------|
| OBSOLETE | 6P2C | REEL    | 1.27µm [50µ"]       | 4-1734723-8 |
|          |      |         | 0.762µm [30µ"]      | 4-1734723-7 |
|          |      |         | 0.381µm [15µ"]      | 4-1734723-6 |
| OBSOLETE | 6P2C | TRAY    | 0.152µm [6µ"]       | 4-1734723-5 |
|          |      |         | 1.27µm [50µ"]       | 4-1734723-4 |
|          |      |         | 0.762µm [30µ"]      | 4-1734723-3 |
|          |      |         | 0.381µm [15µ"]      | 4-1734723-2 |
|          |      |         | 0.152µm [6µ"]       | 4-1734723-1 |
|          | RJ11 | PACKAGE | MIN. GOLD THICKNESS | PART NUMBER |


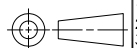
|   |         |                                |                 |                 |                         |       |        |       |        |       |        |        |         |                           |  |                                      |  |
|---|---------|--------------------------------|-----------------|-----------------|-------------------------|-------|--------|-------|--------|-------|--------|--------|---------|---------------------------|--|--------------------------------------|--|
| THIS DRAWING IS A CONTROLLED DOCUMENT.  |         | DWN<br>A. WU<br>10MAR2008      | TE Connectivity |                 |                         |       |        |       |        |       |        |        |         |                           |  |                                      |  |
| DIMENSIONS: MM  |         | CHK<br>S. HOU<br>10MAR2008     |                 |                 |                         |       |        |       |        |       |        |        |         |                           |  |                                      |  |
| TOLERANCES UNLESS OTHERWISE SPECIFIED:  |         | APVD<br>W. KODAMA<br>10MAR2008 | NAME            |                 |                         |       |        |       |        |       |        |        |         |                           |  |                                      |  |
| <table border="1"> <tr><td>0 PLC</td><td>± 0.50</td></tr> <tr><td>1 PLC</td><td>± 0.30</td></tr> <tr><td>2 PLC</td><td>± 0.20</td></tr> <tr><td>3 PLC</td><td>± 0.10</td></tr> <tr><td>4 PLC</td><td>± 0.10</td></tr> <tr><td>ANGLES</td><td>± - ± -</td></tr> </table> |         | 0 PLC                          | ± 0.50          | 1 PLC           | ± 0.30                  | 2 PLC | ± 0.20 | 3 PLC | ± 0.10 | 4 PLC | ± 0.10 | ANGLES | ± - ± - | PRODUCT SPEC<br>108-57527 |  | MODULAR JACK, RJ11, SINGLE, DIP TYPE |  |
| 0 PLC   | ± 0.50  |                                |                 |                 |                         |       |        |       |        |       |        |        |         |                           |  |                                      |  |
| 1 PLC   | ± 0.30  |                                |                 |                 |                         |       |        |       |        |       |        |        |         |                           |  |                                      |  |
| 2 PLC   | ± 0.20  |                                |                 |                 |                         |       |        |       |        |       |        |        |         |                           |  |                                      |  |
| 3 PLC   | ± 0.10  |                                |                 |                 |                         |       |        |       |        |       |        |        |         |                           |  |                                      |  |
| 4 PLC   | ± 0.10  |                                |                 |                 |                         |       |        |       |        |       |        |        |         |                           |  |                                      |  |
| ANGLES  | ± - ± - |                                |                 |                 |                         |       |        |       |        |       |        |        |         |                           |  |                                      |  |
| MATERIAL<br>SEE NOTE  |         | APPLICATION SPEC<br>-          |                 | SIZE<br>A3      | RESTRICTED TO<br>-      |       |        |       |        |       |        |        |         |                           |  |                                      |  |
| FINISH<br>SEE NOTE  |         | WEIGHT<br>3 GRAMS              |                 | CAGE CODE<br>-  | DRAWING NO<br>C=1734723 |       |        |       |        |       |        |        |         |                           |  |                                      |  |
| CUSTOMER DRAWING  |         |                                | SCALE<br>-      | SHEET<br>3 OF 5 | REV<br>A2               |       |        |       |        |       |        |        |         |                           |  |                                      |  |

THIS DRAWING IS UNPUBLISHED. RELEASED FOR PUBLICATION  
 © COPYRIGHT BY TYCO ELECTRONICS CORPORATION. ALL RIGHTS RESERVED.

| LOC | DIST | REVISIONS |     |              |      |     |      |
|-----|------|-----------|-----|--------------|------|-----|------|
| DW  | -    | P         | LTR | DESCRIPTION  | DATE | DWN | APVD |
|     |      |           |     | SEE SHEET 1. |      |     |      |

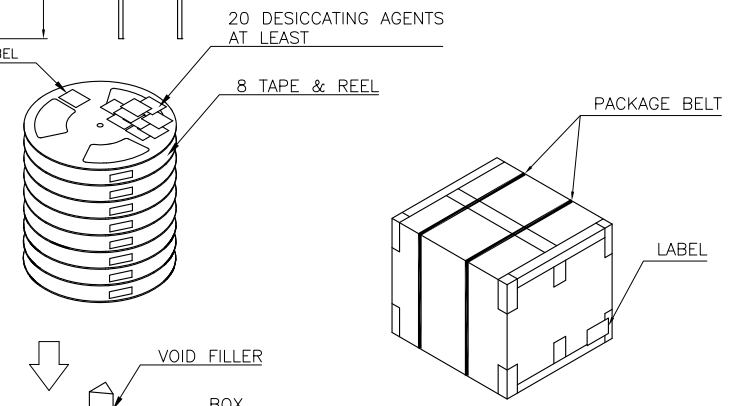
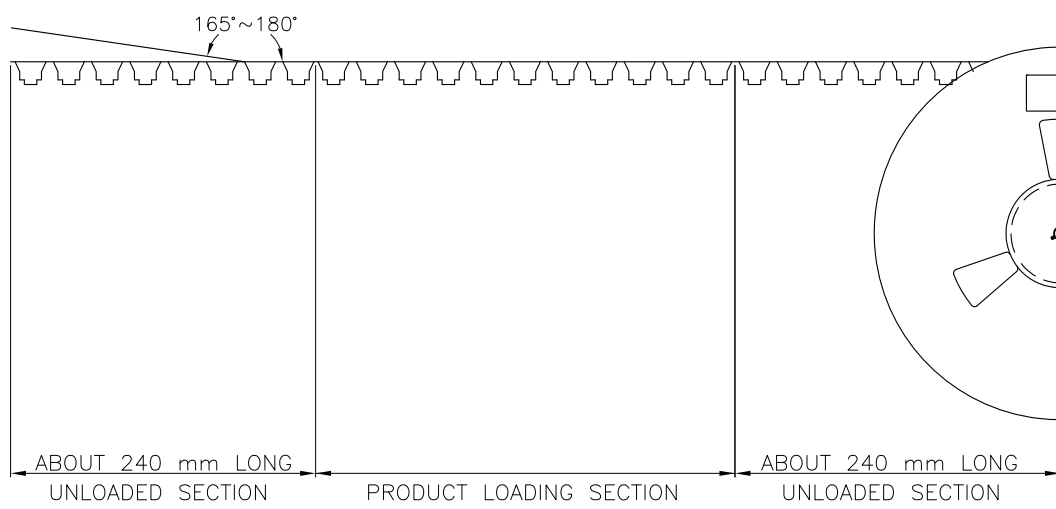


|              |       |          |             |
|--------------|-------|----------|-------------|
| 13.2 Kg      | 3960  | 120      | 1734723-1   |
| GROSS WEIGHT | TOTAL | PCS/TRAY | PART NUMBER |

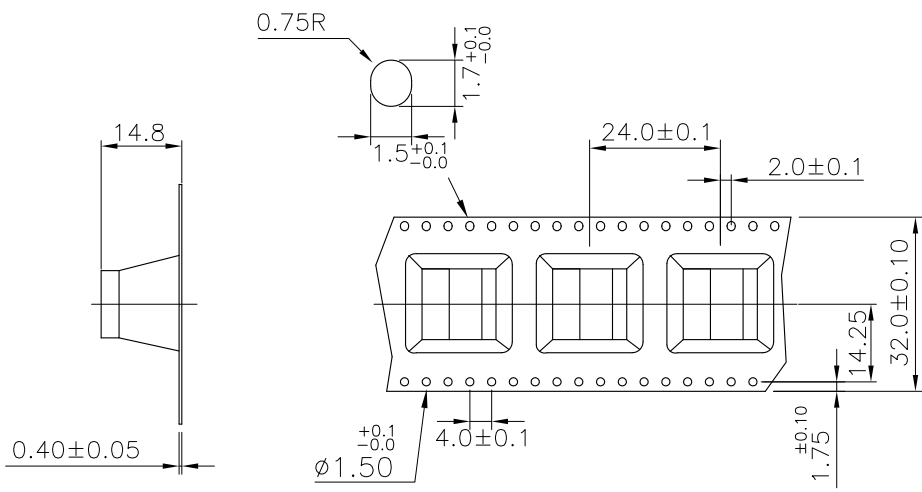
|   |  |   |  |  |
|---|--|---|--|--|
| THIS DRAWING IS A CONTROLLED DOCUMENT.  |  | DWN<br>A. WU<br>10MAR2008               |  <b>TE Connectivity</b> |  |
| DIMENSIONS:<br>MM   |  | CHK<br>S. HOU<br>10MAR2008              |  |  |
|  |  | APVD<br>W. KODAMA<br>10MAR2008          |  |  |
| TOLERANCES UNLESS OTHERWISE SPECIFIED:  |  | NAME                                    |  |  |
| 0 PLC ± -   |  | MODULAR JACK, RJ11,<br>SINGLE, DIP TYPE |  |  |
| 1 PLC ± -   |  | SIZE                                    |  |  |
| 2 PLC ± -   |  | CAGE CODE                               |  |  |
| 3 PLC ± -   |  | DRAWING NO                              |  |  |
| 4 PLC ± -   |  | RESTRICTED TO                           |  |  |
| ANGLES ± -  |  | A3                                      |  |  |
| FINISH  |  | -                                       |  |  |
| MATERIAL  |  | C=1734723                               |  |  |
|   |  | CUSTOMER DRAWING                        |  |  |
|   |  | SCALE -                                 |  |  |
|   |  | SHEET 4 of 5                            |  |  |
|   |  | REV A2                                  |  |  |

THIS DRAWING IS UNPUBLISHED. RELEASED FOR PUBLICATION  
 © COPYRIGHT BY TYCO ELECTRONICS CORPORATION. ALL RIGHTS RESERVED.

|           |           |              |      |     |      |
|-----------|-----------|--------------|------|-----|------|
| LOC<br>DW | DIST<br>- | REVISIONS    |      |     |      |
| P         | LTR       | DESCRIPTION  | DATE | DWN | APVD |
|           |           | SEE SHEET 1. |      |     |      |



|          |           |                |          |          |
|----------|-----------|----------------|----------|----------|
| 200      | 8         | 1600           | 7        | 5        |
| PCS/TAPE | REELS/BOX | QUANTITY (PCS) | G/W (Kg) | N/W (Kg) |



THIS DRAWING IS A CONTROLLED DOCUMENT.

|                  |   |                                |                                      |               |
|------------------|---|--------------------------------|--------------------------------------|---------------|
| DIMENSIONS: MM   | TOLERANCES UNLESS OTHERWISE SPECIFIED:                          | DWN<br>A. WU<br>10MAR2008      | TE Connectivity                      |               |
|                  | 0 PLC ±<br>1 PLC ±<br>2 PLC ±<br>3 PLC ±<br>4 PLC ±<br>ANGLES ± | CHK<br>S. HOU<br>10MAR2008     | NAME                                 |               |
|                  |   | APVD<br>W. KODAMA<br>10MAR2008 | PRODUCT SPEC                         |               |
| MATERIAL         | FINISH  | APPLICATION SPEC               | MODULAR JACK, RJ11, SINGLE, DIP TYPE |               |
|                  |   | WEIGHT                         | SIZE<br>A3                           | RESTRICTED TO |
| CUSTOMER DRAWING |   | SCALE                          | DRAWING NO<br>©=1734723              |               |
|                  |   | SHEET                          | 5 of 5                               | REV<br>A2     |