



Chipsmall Limited consists of a professional team with an average of over 10 year of expertise in the distribution of electronic components. Based in Hongkong, we have already established firm and mutual-benefit business relationships with customers from,Europe,America and south Asia,supplying obsolete and hard-to-find components to meet their specific needs.

With the principle of “Quality Parts,Customers Priority,Honest Operation,and Considerate Service”,our business mainly focus on the distribution of electronic components. Line cards we deal with include Microchip,ALPS,ROHM,Xilinx,Pulse,ON,Everlight and Freescale. Main products comprise IC,Modules,Potentiometer,IC Socket,Relay,Connector.Our parts cover such applications as commercial,industrial, and automotives areas.

We are looking forward to setting up business relationship with you and hope to provide you with the best service and solution. Let us make a better world for our industry!



Contact us

Tel: +86-755-8981 8866 Fax: +86-755-8427 6832

Email & Skype: info@chipsmall.com Web: www.chipsmall.com

Address: A1208, Overseas Decoration Building, #122 Zhenhua RD., Futian, Shenzhen, China

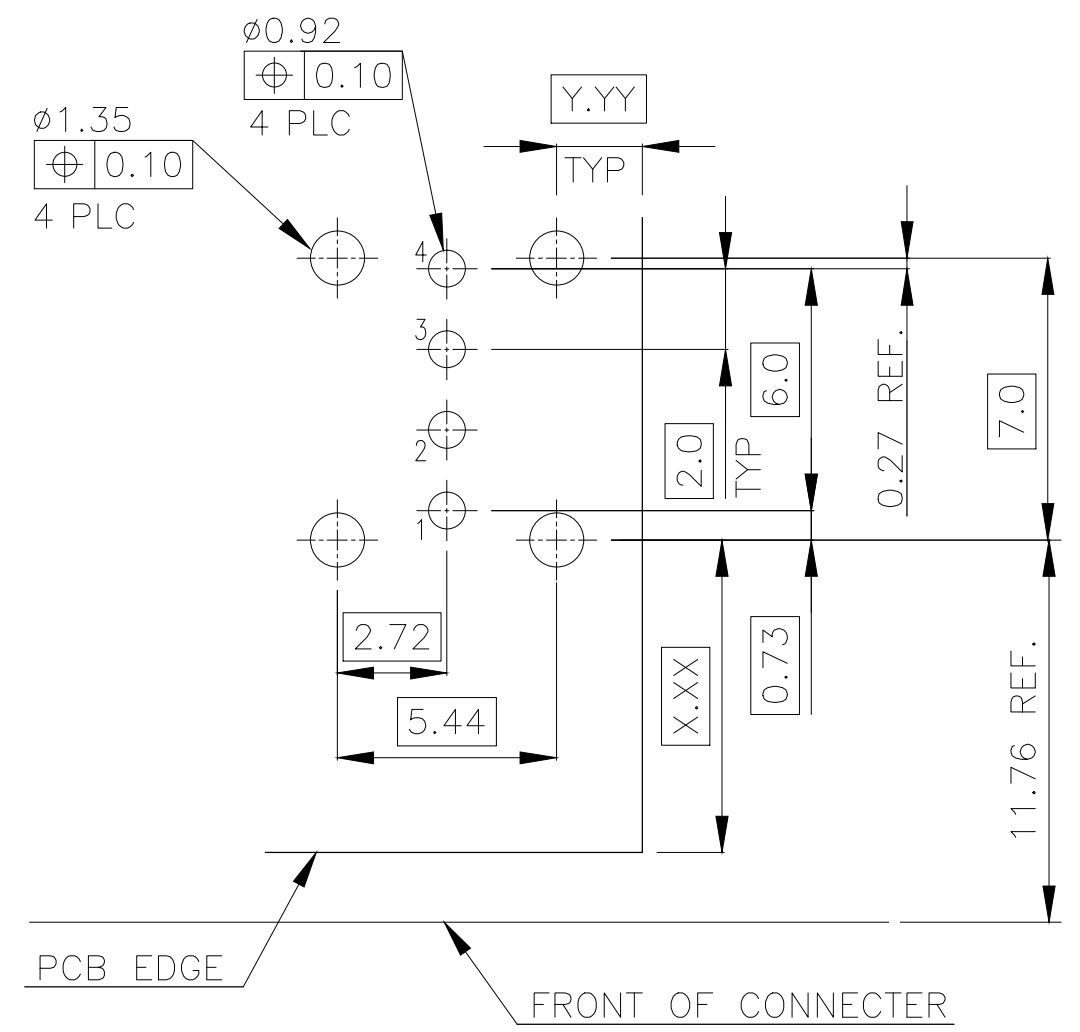
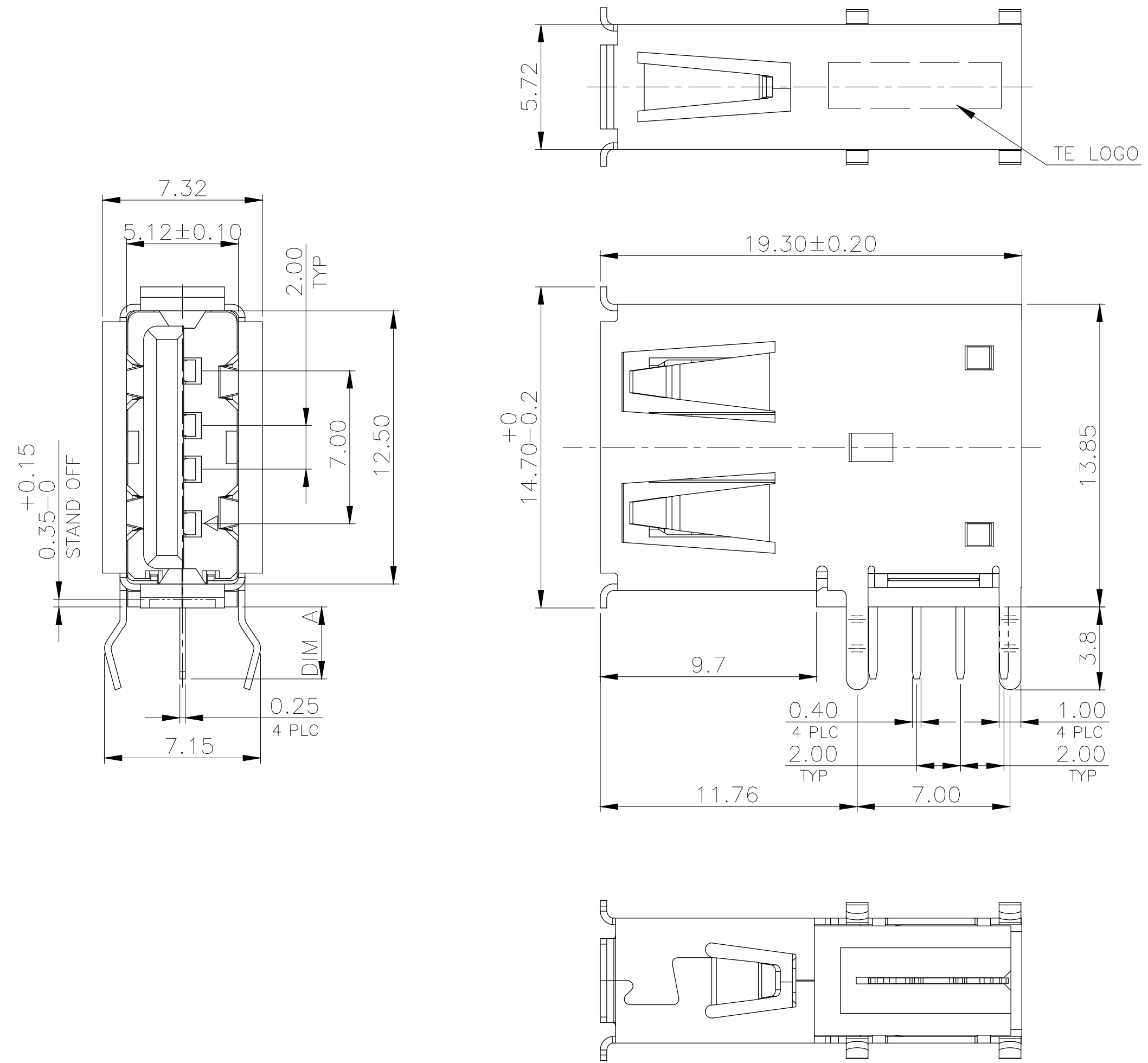


THIS DRAWING IS UNPUBLISHED. RELEASED FOR PUBLICATION
 © COPYRIGHT 2011 BY TYCO ELECTRONICS CORPORATION. ALL RIGHTS RESERVED.

LOC		DIST		REVISIONS			
P	LTR	DESCRIPTION		DATE	DWN	APVD	
	C	REVISED (ECR-14-014356), ADD STD OFF		24NOV14	SC	HL	

NOTES:

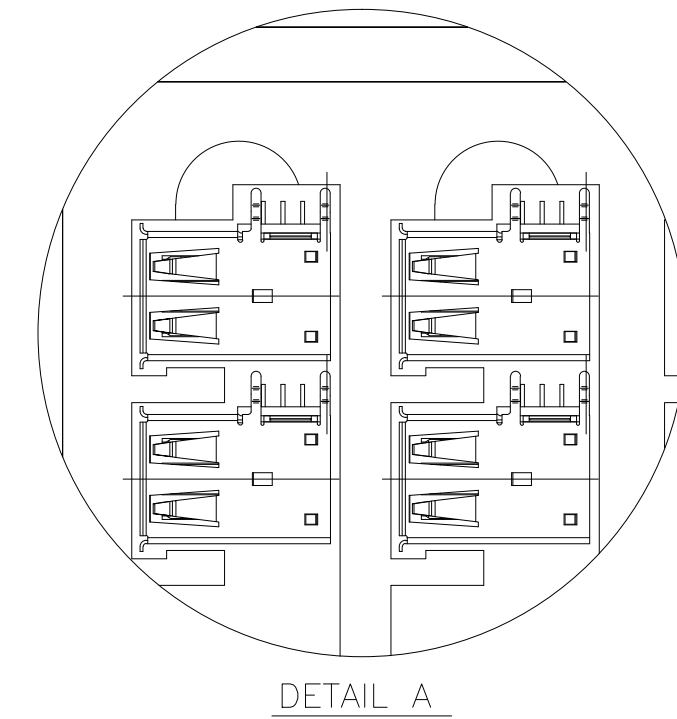
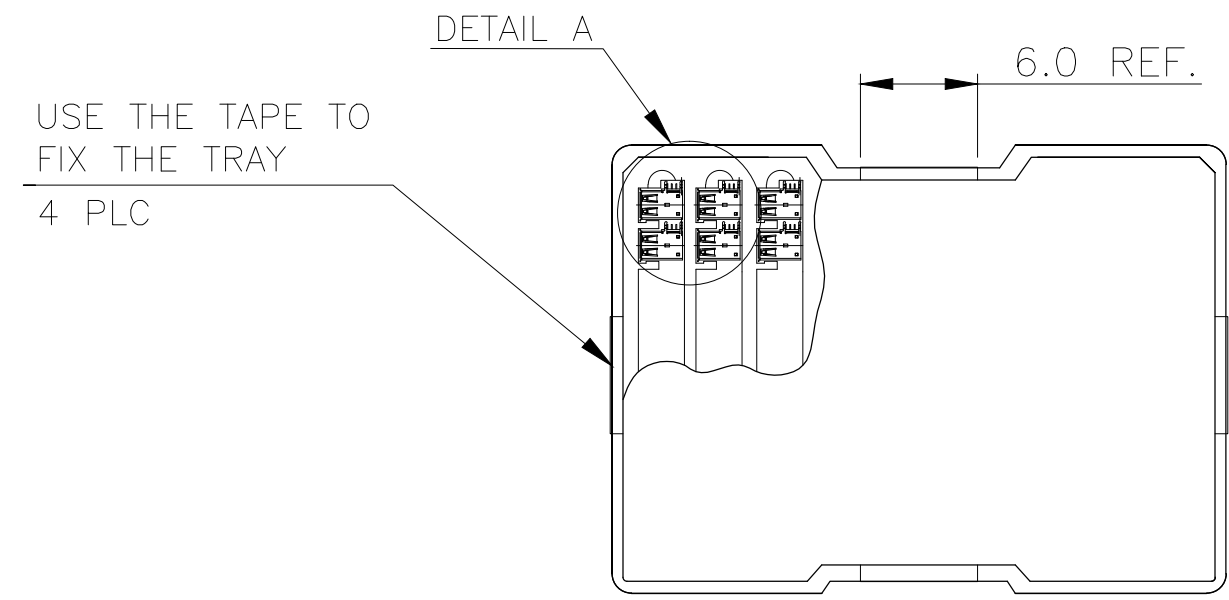
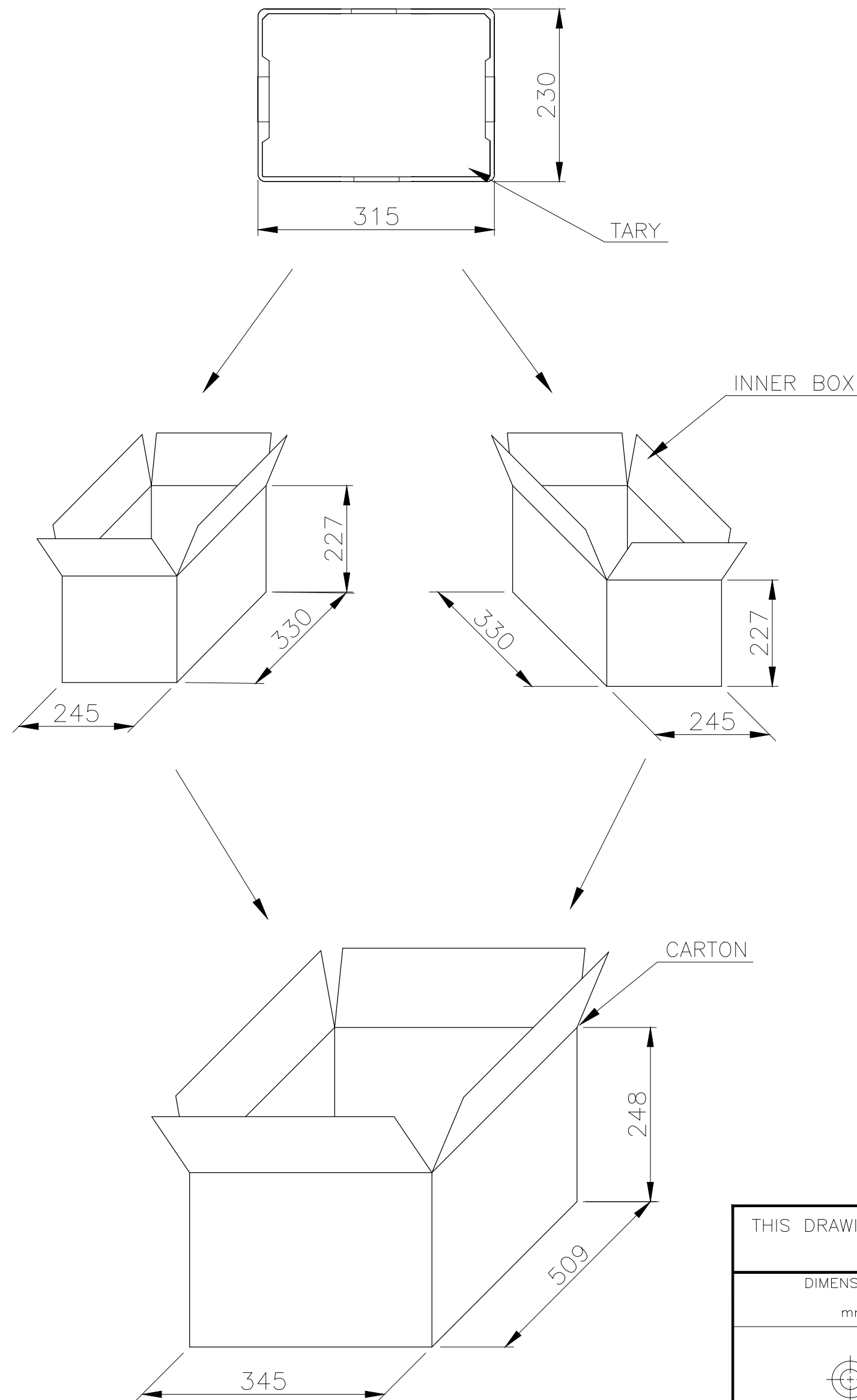
- MATERIAL:
 HOUSING: PBT WITH 30% GF, UL 94V-0, BLACK COLOR.
 CONTACTS: PHOSPHOR BRONZE.
 SHIELD: PHOSPHOR BRONZE.
- FINISH:
 CONTACTS: GOLD FLASH OVER
 0.762µm [30µ"] MIN. PALLADIUM-NICKEL PLATED ON CONTACT AREA,
 2.54µm [100µ"] MIN. MATTE-TIN ON SOLDER TAIL, WITH
 ENTIRE CONTACT UNDERPLATED 1.27µm [50µ"] MIN. NICKEL.
 SHIELD: 0.762µm [30µ"] MIN. NICKEL PLATED, WITH
 2.54µm [100µ"] MIN. Cu UNDERPLATED OVERALL.
- WAVE SOLDER CAPABLE TO 265°C PER TE TEST SPEC.
 109-202, CONDITION B.



THIS DRAWING IS A CONTROLLED DOCUMENT.		DWN O. HU 22MAY2007	STE TE Connectivity	
DIMENSIONS: mm		CHK S. HOU 22MAY2007		
TOLERANCES UNLESS OTHERWISE SPECIFIED:		APVD W.J. KE 22MAY2007	NAME	
0 PLC ± 0.38		PRODUCT SPEC	108-57322	
1 PLC ± 0.25		APPLICATION SPEC	USB CONNECTOR, RECEPTACLE, FLAG, R/A, DIP, A TYPE	
2 PLC ± 0.20		WEIGHT	SIZE	CAGE CODE
3 PLC ± -		2.4 GRAMS	A3	00779
4 PLC ± -		CUSTOMER DRAWING	DRAWING NO	1734775
ANGLES ± 3°		SCALE	SHEET	REV
FINISH		—	1 OF 2	C
SEE NOTE		RESTRICTED TO		
SEE NOTE		—		

THIS DRAWING IS UNPUBLISHED. RELEASED FOR PUBLICATION
 © COPYRIGHT 2011 BY TYCO ELECTRONICS CORPORATION. ALL RIGHTS RESERVED.

LOC		DIST		REVISIONS			
P	LTR	DESCRIPTION		DATE	DWN	APVD	
		SEE SHEET 1.					



11.1 Kg	10.1 Kg	100	21	2	4200 PCS
GROSS WEIGHT	NET WEIGHT	PCS/TRAY	TRAYS /INNER BOX	INNER BOX /CARTON	QUANTITY

THIS DRAWING IS A CONTROLLED DOCUMENT.		DWN	TE Connectivity USB CONNECTOR, RECEPTACLE, FLAG, R/A, DIP, A TYPE		
DIMENSIONS: mm		CHK			
		APVD			
TOLERANCES UNLESS OTHERWISE SPECIFIED:		PRODUCT SPEC	NAME		
0 PLC ± -		APPLICATION SPEC	SIZE		
1 PLC ± -		WEIGHT	CAGE CODE		
2 PLC ± -		CUSTOMER DRAWING	DRAWING NO		
3 PLC ± -			RESTRICTED TO		
4 PLC ± -			A300779 C-1734775		
ANGLES ± -			SCALE		
FINISH			SHEET 2 OF 2		
			REV C		