



Chipsmall Limited consists of a professional team with an average of over 10 year of expertise in the distribution of electronic components. Based in Hongkong, we have already established firm and mutual-benefit business relationships with customers from,Europe,America and south Asia,supplying obsolete and hard-to-find components to meet their specific needs.

With the principle of “Quality Parts,Customers Priority,Honest Operation,and Considerate Service”,our business mainly focus on the distribution of electronic components. Line cards we deal with include Microchip,ALPS,ROHM,Xilinx,Pulse,ON,Everlight and Freescale. Main products comprise IC,Modules,Potentiometer,IC Socket,Relay,Connector.Our parts cover such applications as commercial,industrial, and automotives areas.

We are looking forward to setting up business relationship with you and hope to provide you with the best service and solution. Let us make a better world for our industry!



Contact us

Tel: +86-755-8981 8866 Fax: +86-755-8427 6832

Email & Skype: info@chipsmall.com Web: www.chipsmall.com

Address: A1208, Overseas Decoration Building, #122 Zhenhua RD., Futian, Shenzhen, China



4

3

2

1

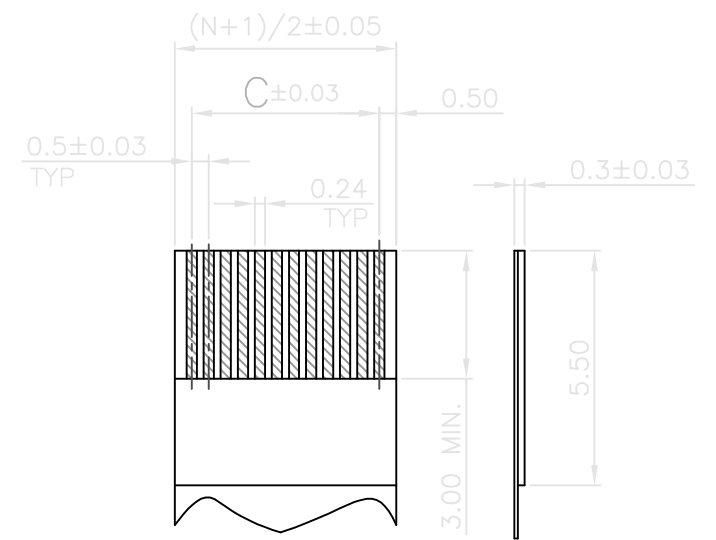
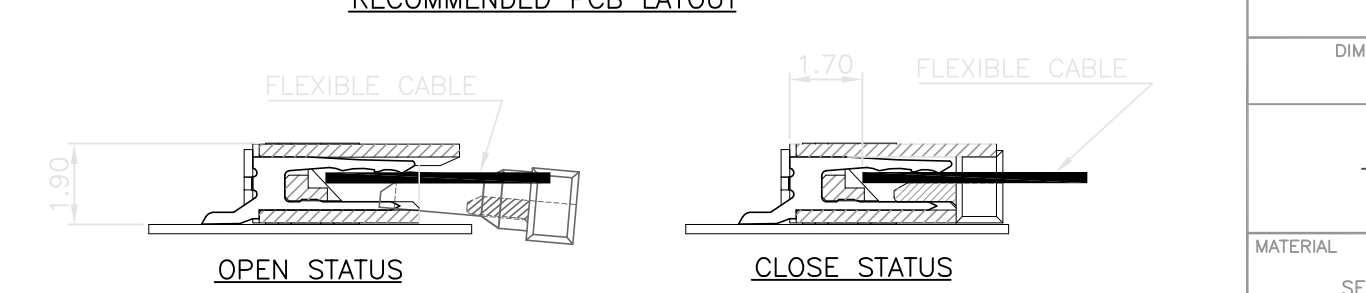
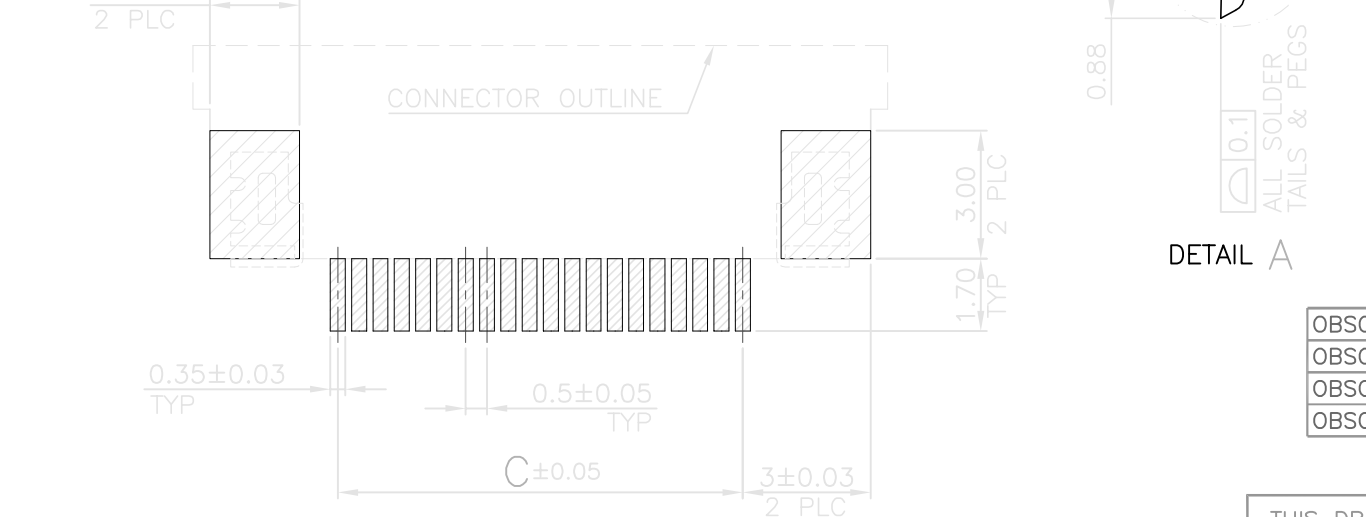
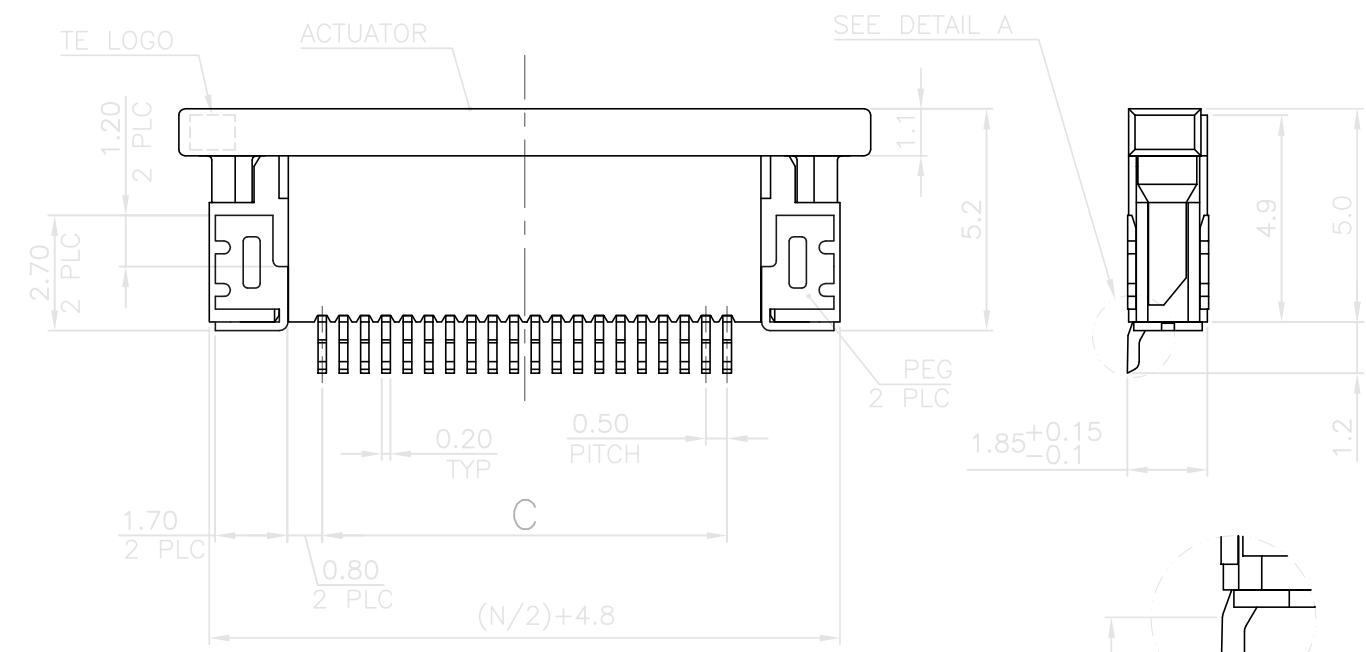
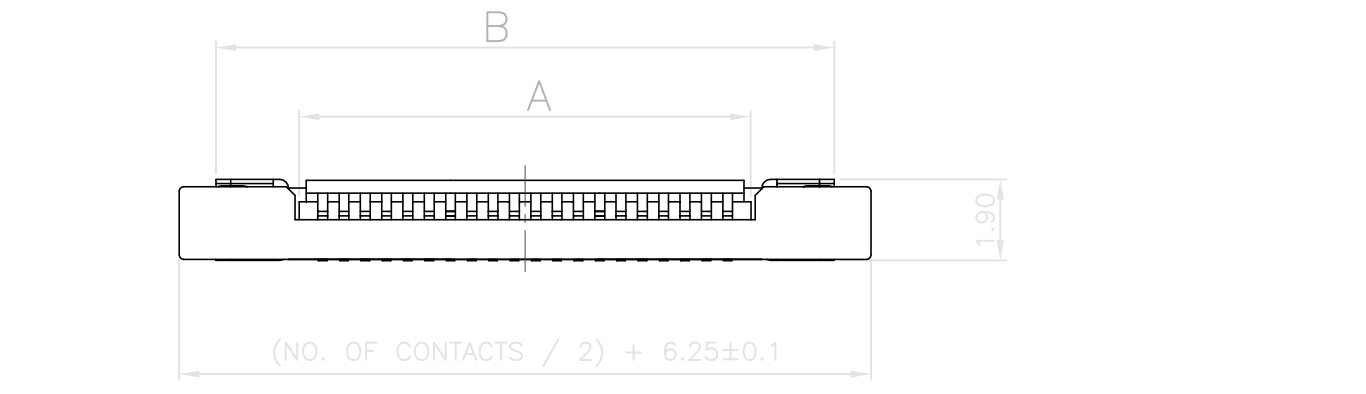
THIS DRAWING IS UNPUBLISHED. RELEASED FOR PUBLICATION
 © COPYRIGHT 2013 BY TE CONNECTIVITY. ALL RIGHTS RESERVED.

LOC	DIST	REVISIONS			
P	LTR	DESCRIPTION	DATE	DWN	APVD
DW	-	C	OBSOLETE PARTS	18FEB16	HX WH

NOTES:

- MATERIAL:
 HOUSING: PA6T, 30% GF, UL94 V-0, NATURAL COLOR.
 ACTUATOR: PPS, 40% GF, UL94 V-0, BLACK COLOR.
 CONTACTS: PHOSPHOR BRONZE.
 PEGS: BRASS.
- FINISH:
 CONTACTS: GOLD FLASH OVER 1.27µm [50µ"] MIN.
 NICKEL ON ENTIRE CONTACT.
 PEGS: 2.54µm [100µ"] MIN. MATTE-TIN OVER 1.27µm [50µ"] MIN. NICKEL.
- REFLOW SOLDER CAPABLE TO 260°C PER
 TEC-109-201, CONDITION B.
- SUBSTANCE RESTRICTIONS FOR LOW HALOGEN (BY WEIGHT):
 - BROMINE (Br) ≤ 900 PPM (0.09%)
 - CHLORINE (Cl) ≤ 900 PPM (0.09%)
 - TOTAL (Cl) + (Br) ≤ 1500 PPM (0.15%)

REV	DESCRIPTION	DATE	DWN	APVD			
OBSOLETE	-0.55	24.0	29.01	25.10	49	4	1734820-9
OBSOLETE	-0.54	23.5	28.51	24.60	48	4	1734820-8
OBSOLETE	-0.53	23.0	28.01	24.10	47	4	1734820-7
OBSOLETE	-0.52	22.5	27.51	23.60	46	4	1734820-6
OBSOLETE	-0.51	22.0	27.01	23.10	45	4	1734820-5
OBSOLETE	-0.50	21.5	26.51	22.60	44	4	1734820-4
OBSOLETE	-0.49	21.0	26.01	22.10	43	4	1734820-3
OBSOLETE	-0.48	20.5	25.51	21.60	42	4	1734820-2
OBSOLETE	-0.47	20.0	25.01	21.10	41	4	1734820-1
OBSOLETE	-0.46	19.5	24.51	20.60	40	4	1734820-0
OBSOLETE	-0.45	19.0	24.01	20.10	39	3	1734820-9
OBSOLETE	-0.45	18.5	23.51	19.60	38	3	1734820-8
OBSOLETE	-0.44	18.0	23.01	19.10	37	3	1734820-7
OBSOLETE	-0.43	17.5	22.51	18.60	36	3	1734820-6
OBSOLETE	-0.42	17.0	22.01	18.10	35	3	1734820-5
OBSOLETE	-0.41	16.5	21.51	17.60	34	3	1734820-4
OBSOLETE	-0.40	16.0	21.01	17.10	33	3	1734820-3
OBSOLETE	-0.39	15.5	20.51	16.60	32	3	1734820-2
OBSOLETE	-0.38	15.0	20.01	16.10	31	3	1734820-1
OBSOLETE	-0.37	14.5	19.51	15.60	30	3	1734820-0
OBSOLETE	-0.36	14.0	19.01	15.10	29	2	1734820-9
OBSOLETE	-0.35	13.5	18.51	14.60	28	2	1734820-8
OBSOLETE	-0.34	13.0	18.01	14.10	27	2	1734820-7
OBSOLETE	-0.33	12.5	17.51	13.60	26	2	1734820-6
OBSOLETE	-0.33	12.0	17.01	13.10	25	2	1734820-5
OBSOLETE	-0.32	11.5	16.51	12.60	24	2	1734820-4
OBSOLETE	-0.31	11.0	16.01	12.10	23	2	1734820-3
OBSOLETE	-0.30	10.5	15.51	11.60	22	2	1734820-2
OBSOLETE	-0.29	10.0	15.01	11.10	21	2	1734820-1
OBSOLETE	-0.28	9.5	14.51	10.60	20	2	1734820-0
OBSOLETE	-0.27	9.0	14.01	10.10	19	1	1734820-9
OBSOLETE	-0.26	8.5	13.51	9.60	18	1	1734820-8
OBSOLETE	-0.25	8.0	13.01	9.10	17	1	1734820-7
OBSOLETE	-0.24	7.5	12.51	8.60	16	1	1734820-6
OBSOLETE	-0.23	7.0	12.01	8.10	15	1	1734820-5
OBSOLETE	-0.22	6.5	11.51	7.60	14	1	1734820-4
OBSOLETE	-0.22	6.0	11.01	7.10	13	1	1734820-3
OBSOLETE	-0.21	5.5	10.51	6.60	12	1	1734820-2
OBSOLETE	-0.20	5.0	10.01	6.10	11	1	1734820-1
OBSOLETE	-0.19	4.5	9.51	5.60	10	1	1734820-0
OBSOLETE	-0.18	4.0	9.01	5.10	9		1734820-9
OBSOLETE	-0.17	3.5	8.51	4.60	8		1734820-8
OBSOLETE	-0.16	3.0	8.01	4.10	7		1734820-7
OBSOLETE	-0.15	2.5	7.51	3.60	6		1734820-6
OBSOLETE	-0.14	2.0	7.01	3.10	5		1734820-5
OBSOLETE	-0.13	1.5	6.51	2.60	4		1734820-4



REV	DESCRIPTION	DATE	DWN	APVD			
OBSOLETE	-0.58	26.0	31.01	27.10	53	5	1734820-3
OBSOLETE	-0.57	25.5	30.51	26.60	52	5	1734820-2
OBSOLETE	-0.56	25.0	30.01	26.10	51	5	1734820-1
OBSOLETE	-0.56	24.5	29.51	25.60	50	5	1734820-0

THIS DRAWING IS A CONTROLLED DOCUMENT.

DIMENSIONS: MM

TOLERANCES UNLESS OTHERWISE SPECIFIED:

0 PLC	± -
1 PLC	± 0.3
2 PLC	± 0.2
3 PLC	± -
4 PLC	± -
ANGLES	± -

MATERIAL: SEE NOTE

FINISH: SEE NOTE

DWN: A. WU 15JAN2013

CHK: S. CHIEN 15JAN2013

APVD: W. KODAMA 15JAN2013

PRODUCT SPEC: 108-57364

APPLICATION SPEC: -

WEIGHT: SEE TABLE

CUSTOMER DRAWING

TE TE Connectivity

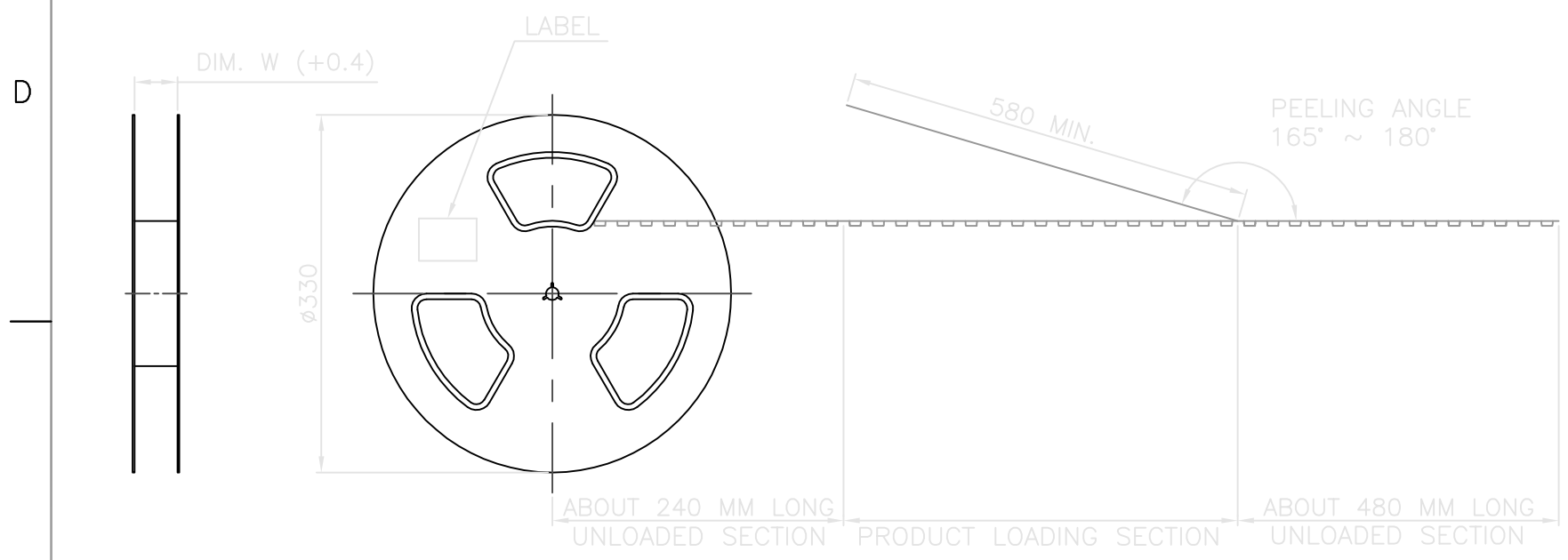
NAME: FPC CONNECTOR, 0.5 PITCH, ZIF, TOP CONTACT

SIZE: A3 CAGE CODE: 00779 DRAWING NO: C-1734820 RESTRICTED TO: -

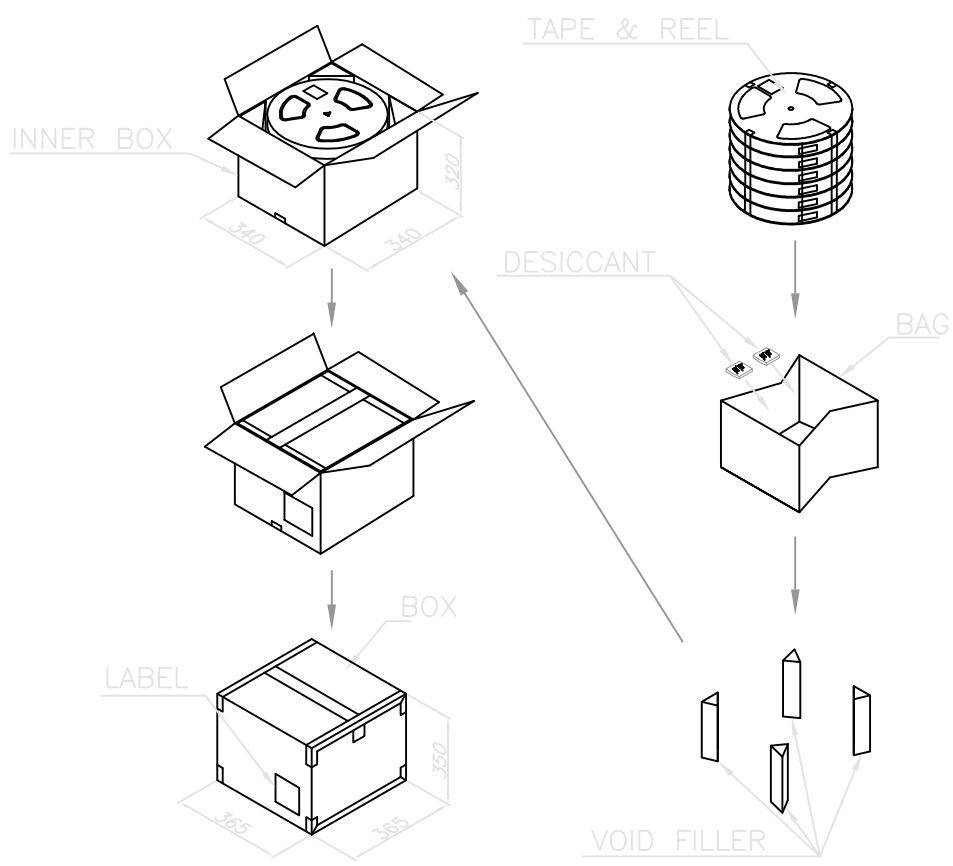
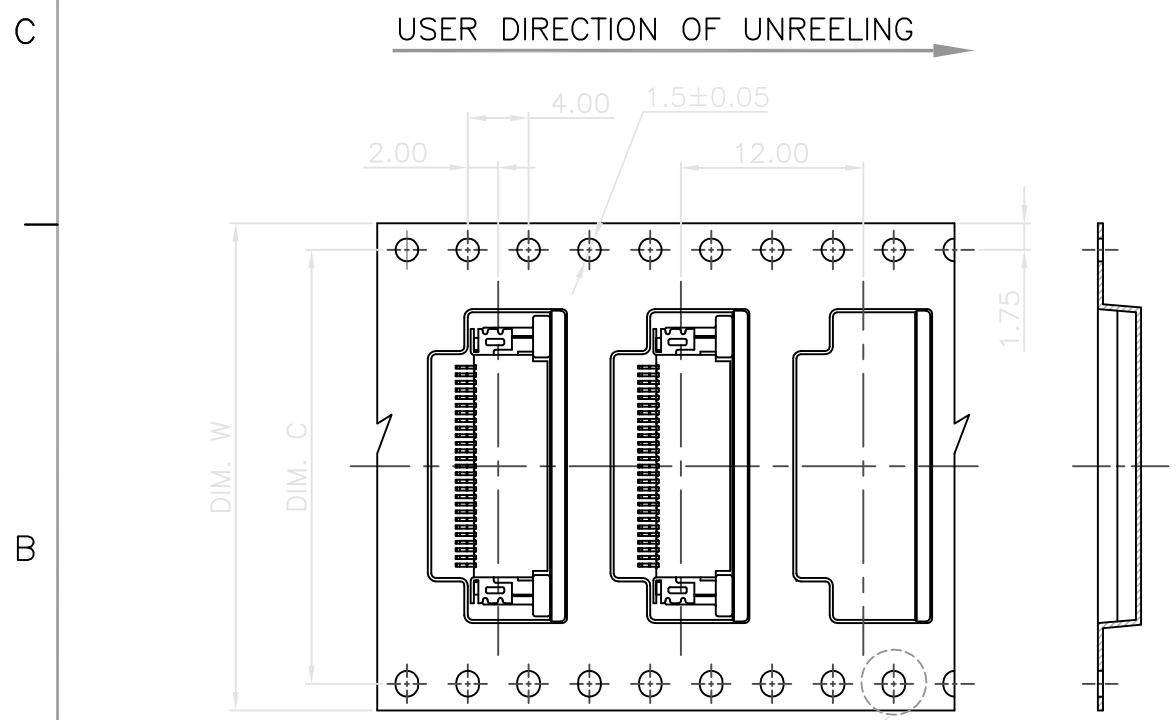
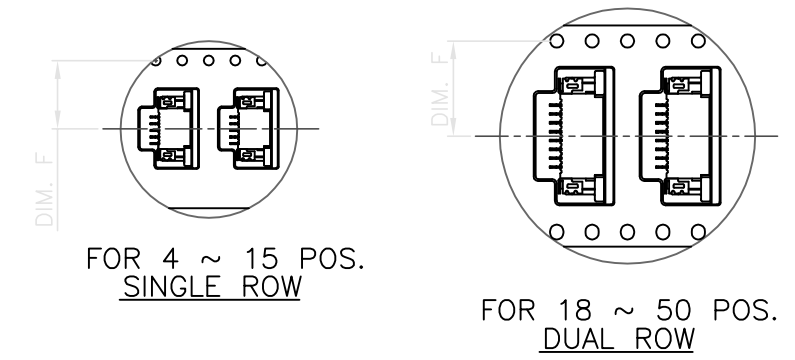
SCALE: - SHEET: 1 OF 2 REV: C

THIS DRAWING IS UNPUBLISHED. RELEASED FOR PUBLICATION
 © COPYRIGHT 2013 BY TE CONNECTIVITY. ALL RIGHTS RESERVED.

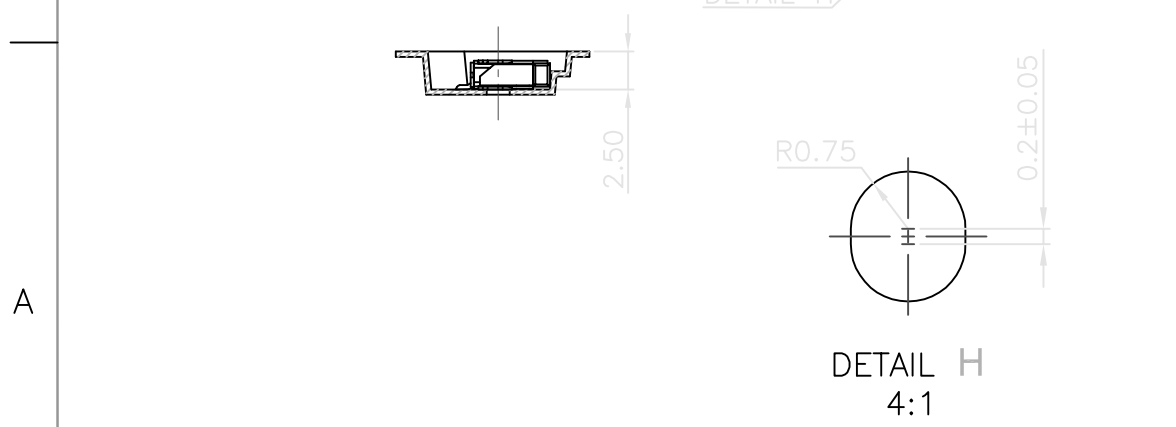
LOC	DIST	REVISIONS					
		P	LTR	DESCRIPTION	DATE	DWN	APVD
DW	-			SEE SHEET 1			



- NOTES:
- MATERIAL:
 BOX: FIBREBOARD, CORRUGATED, DOUBLE WALL.
 COVER TAPE: PET, TRANSPARENT COLOR.
 CARRIER TAPE: POLYSTYRENES, BLACK COLOR.
 REEL: HIPS, BLUE COLOR.
 BAG: POLYETHYLENES, TRANSPARENT COLOR.
 - EACH BAG SHALL BE INCLUDED DESICCANT.
 - PEELING STRENGTH: 0.1 ~ 1.3 N (10 ~ 130 GRAMS).
 - PEELING SPEED: 300 mm/min.



QUANTITY (PCS)	PCS/TAPE	REELS/BOX	DIM C	DIM F	DIM W	G/W (Kg)	N/W (Kg)	NO. OF CONTACTS		
12000	2000	6	40.4	20.2	44			12.2	8.0	50
								12.0	7.8	48
								11.3	7.1	41
								11.2	7.0	40
								10.4	6.2	32
16000	2000	8	28.4	14.2	32			9.8	5.6	26
								9.7	5.5	25
								9.4	5.2	22
								9.2	5.0	20
								9.0	4.8	18
20000	2000	10	-	11.5	24			8.7	4.4	15
								8.6	4.2	14
								8.4	3.8	12
								8.2	3.4	10
								8.0	3.0	8
								7.7	2.6	6
								7.5	2.2	4



THIS DRAWING IS A CONTROLLED DOCUMENT.

DIMENSIONS: MM	TOLERANCES UNLESS OTHERWISE SPECIFIED:	DWN	DWN
0 PLC ± -	1 PLC ± -	CHK	TE Connectivity
2 PLC ± -	3 PLC ± -	APVD	NAME
4 PLC ± -	ANGLES ± -	PRODUCT SPEC	FPC CONNECTOR, 0.5 PITCH, ZIF, TOP CONTACT
MATERIAL	FINISH	APPLICATION SPEC	SIZE
		WEIGHT	CAGE CODE
			DRAWING NO
			RESTRICTED TO
			A3 00779 C-1734820
		CUSTOMER DRAWING	SCALE
			SHEET 2 OF 2
			REV C