



Chipsmall Limited consists of a professional team with an average of over 10 year of expertise in the distribution of electronic components. Based in Hongkong, we have already established firm and mutual-benefit business relationships with customers from,Europe,America and south Asia,supplying obsolete and hard-to-find components to meet their specific needs.

With the principle of “Quality Parts,Customers Priority,Honest Operation,and Considerate Service”,our business mainly focus on the distribution of electronic components. Line cards we deal with include Microchip,ALPS,ROHM,Xilinx,Pulse,ON,Everlight and Freescale. Main products comprise IC,Modules,Potentiometer,IC Socket,Relay,Connector.Our parts cover such applications as commercial,industrial, and automotives areas.

We are looking forward to setting up business relationship with you and hope to provide you with the best service and solution. Let us make a better world for our industry!



Contact us

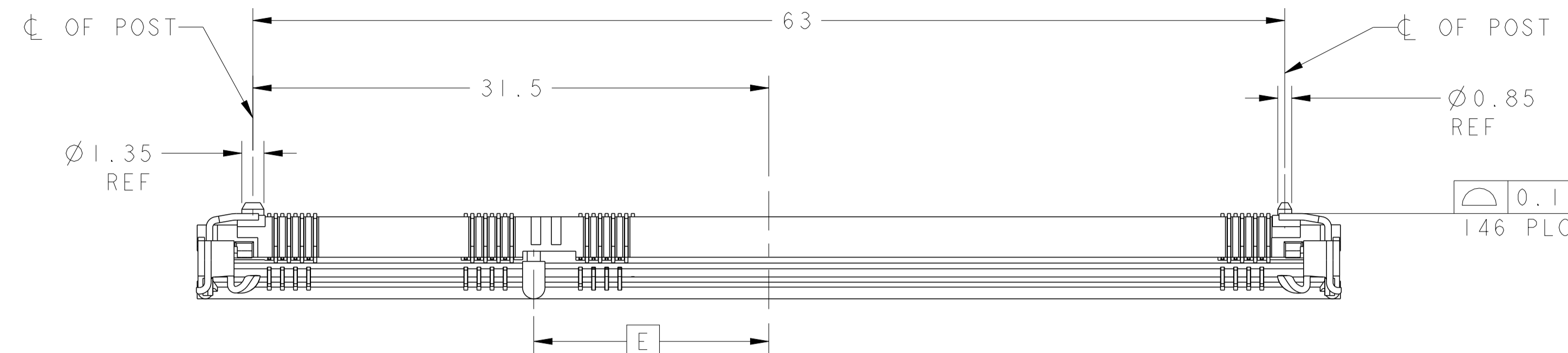
Tel: +86-755-8981 8866 Fax: +86-755-8427 6832

Email & Skype: info@chipsmall.com Web: www.chipsmall.com

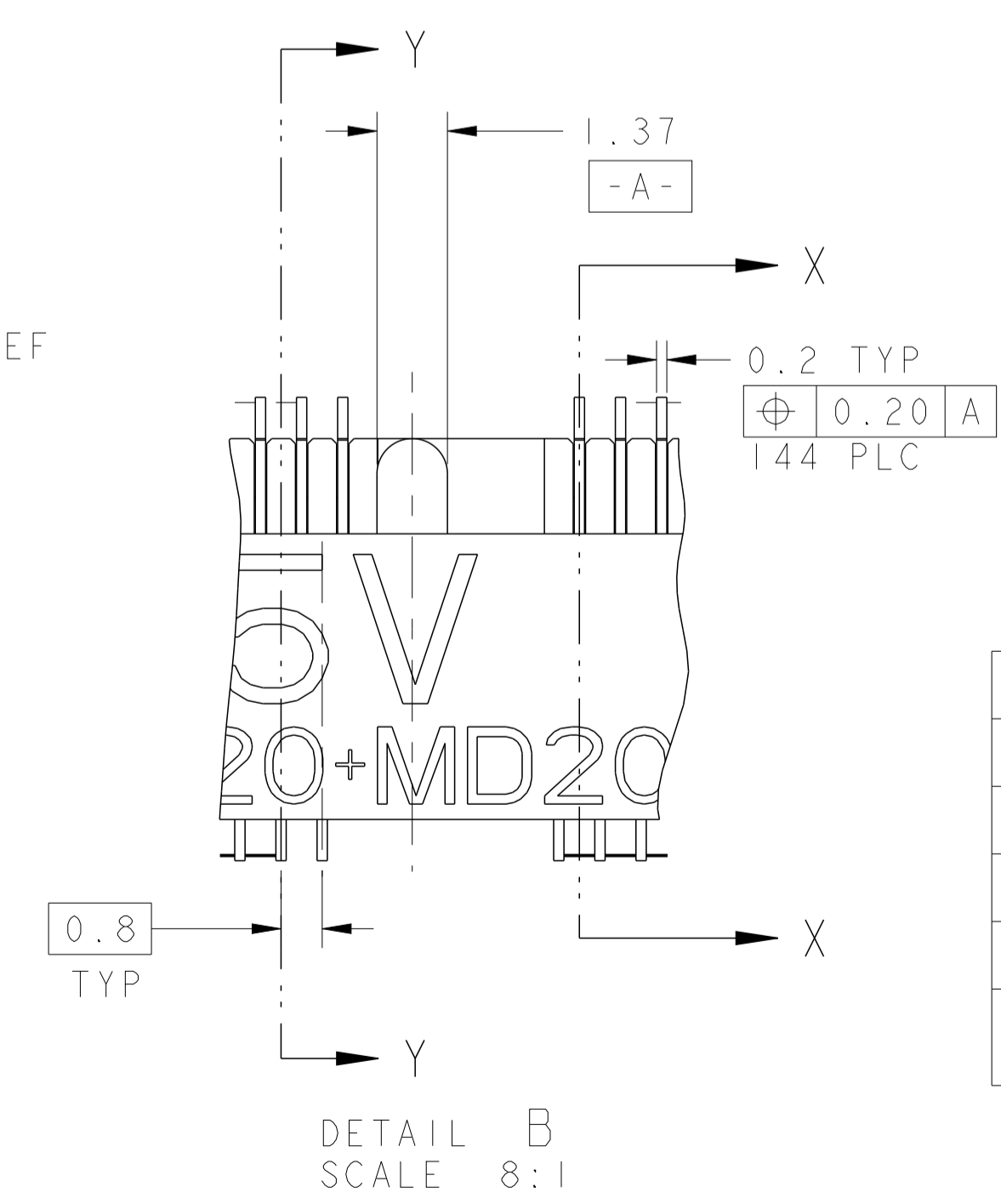
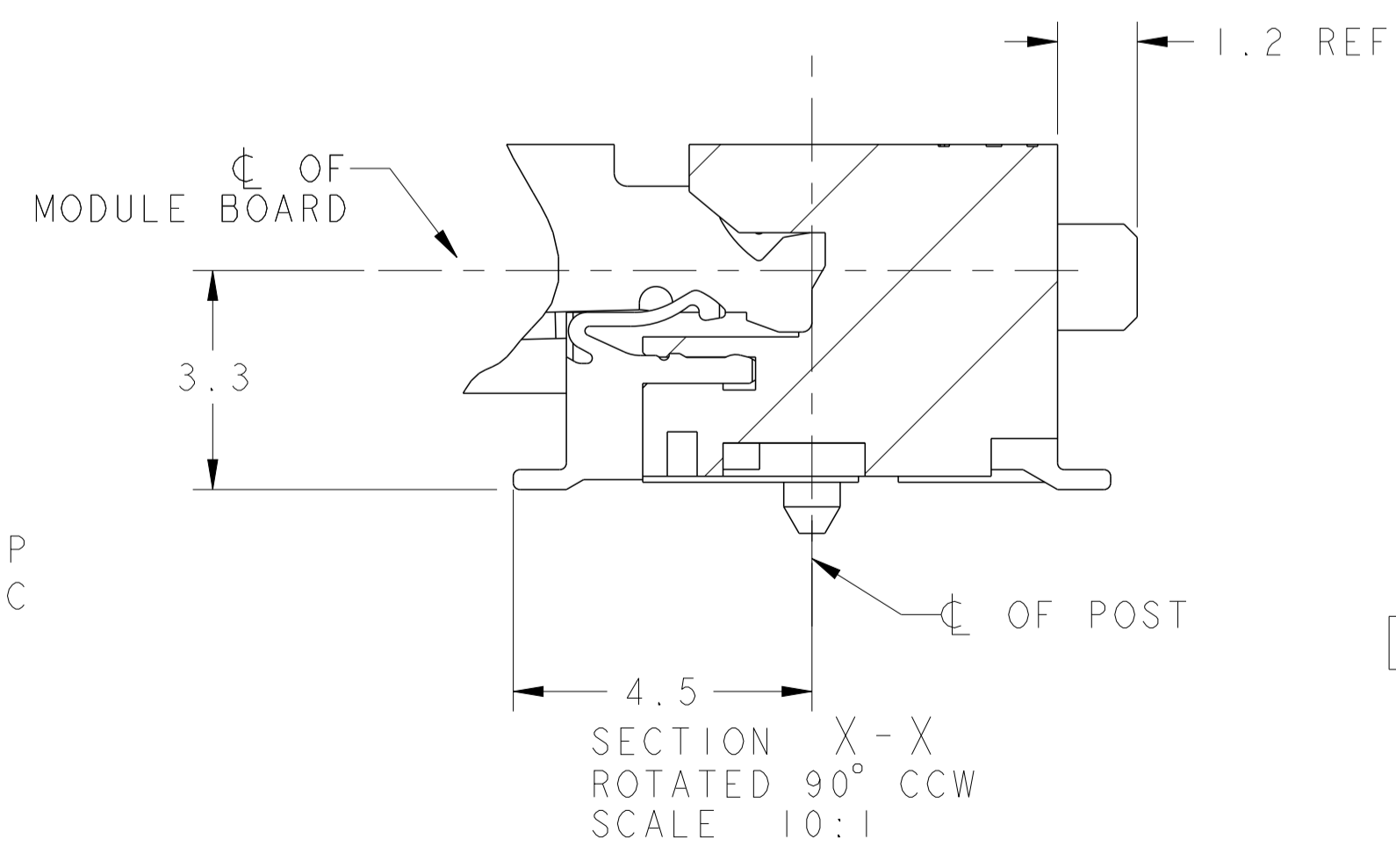
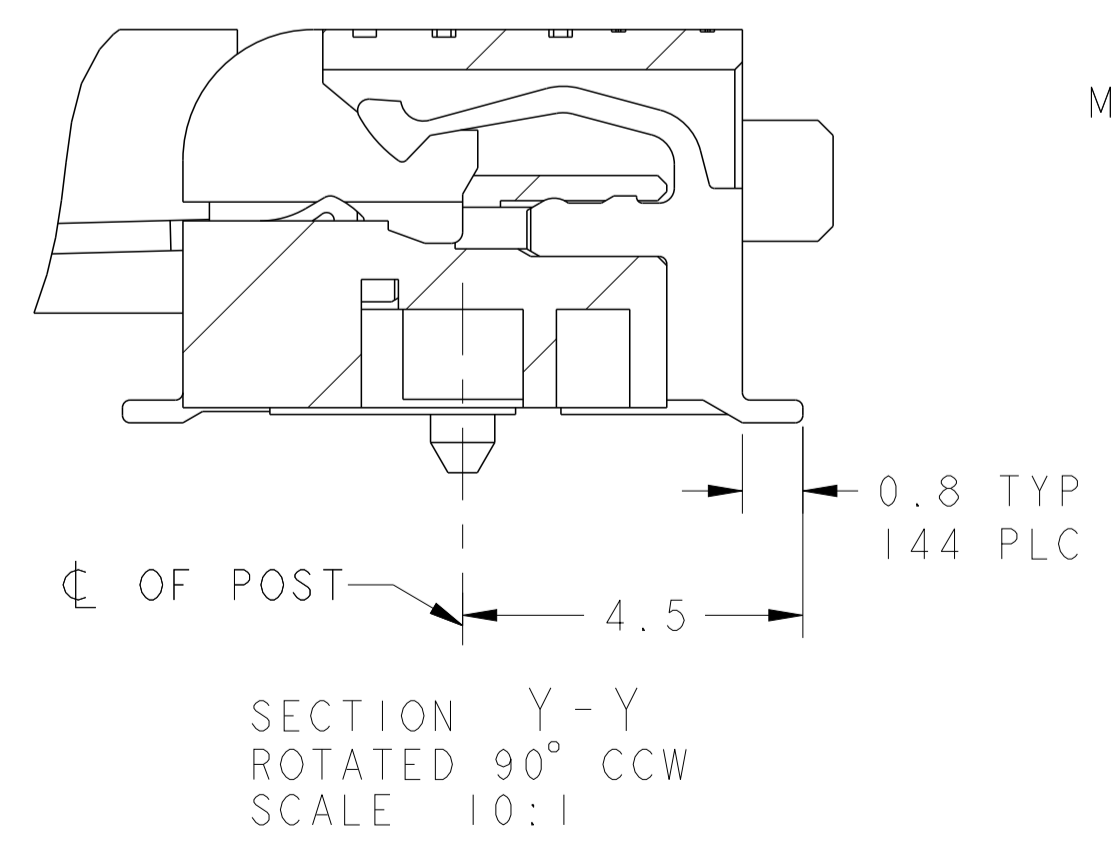
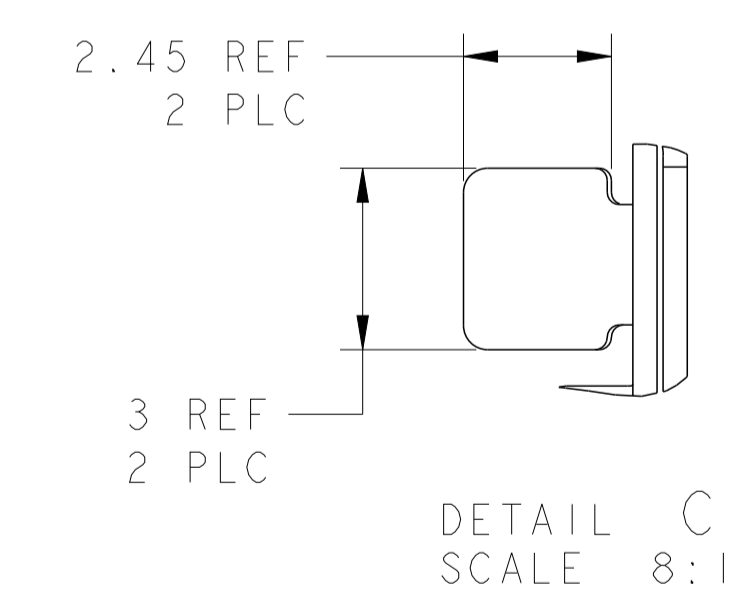
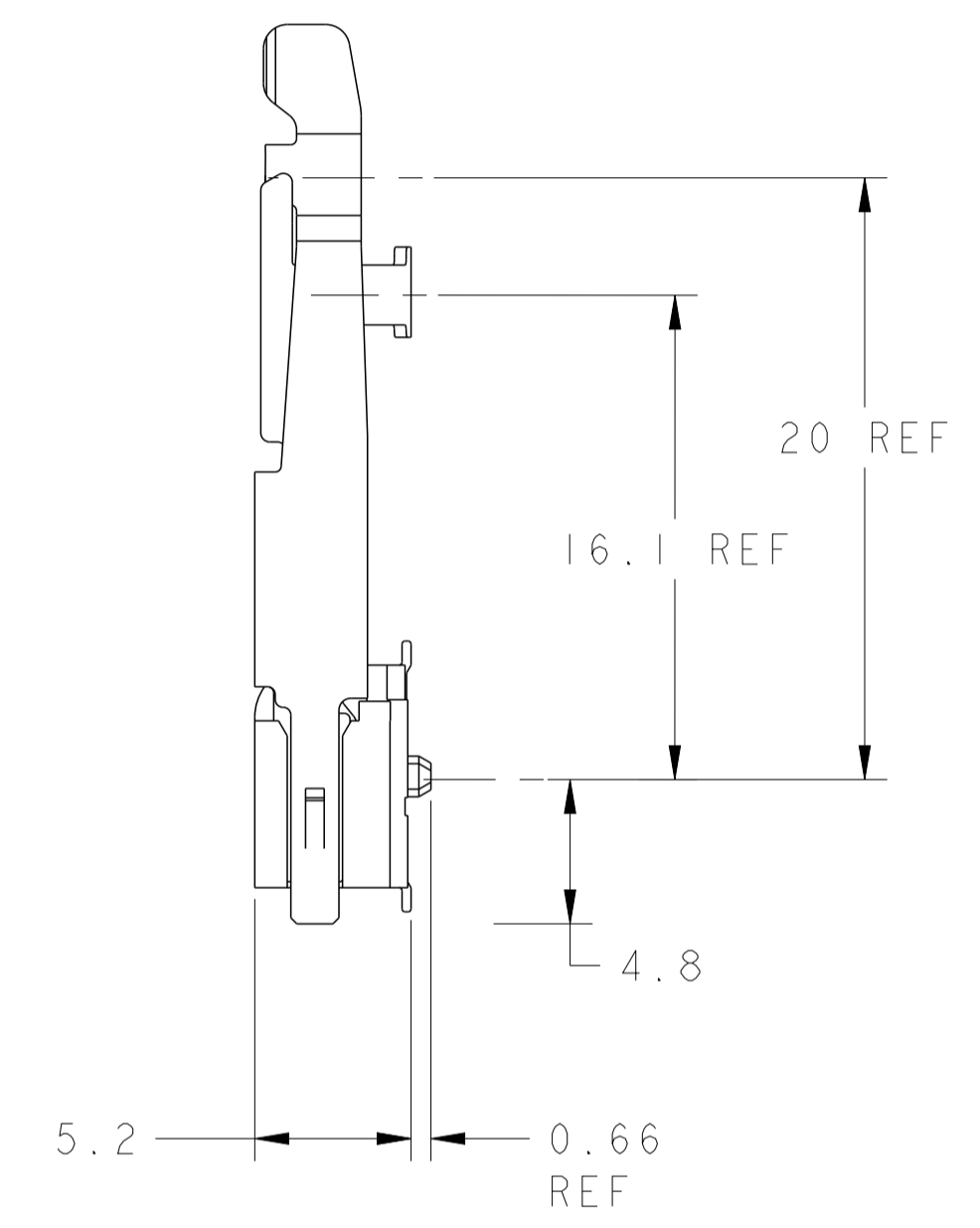
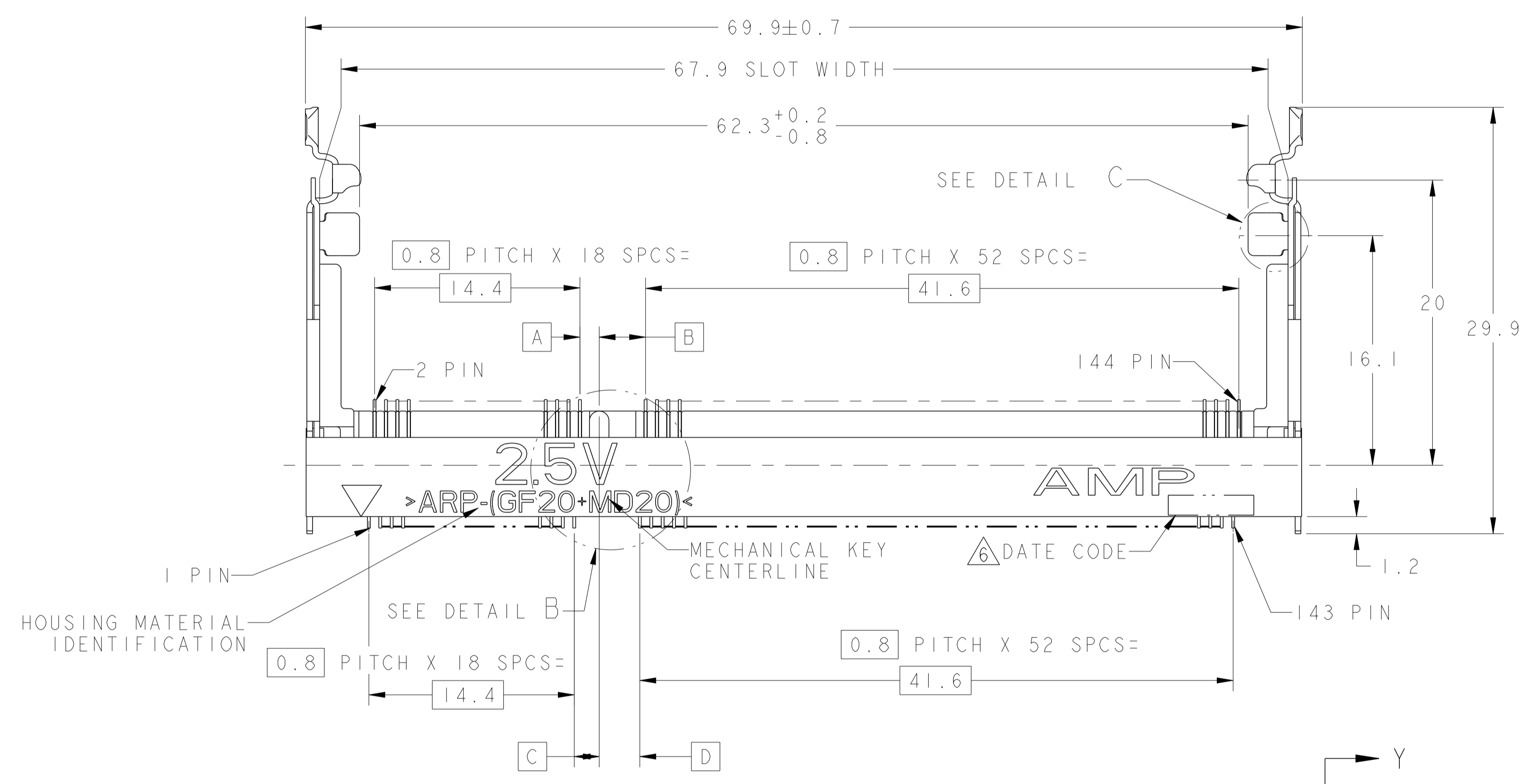
Address: A1208, Overseas Decoration Building, #122 Zhenhua RD., Futian, Shenzhen, China



| LOC | DIST | REVISIONS | | | |
|-----|------|---------------------------|----|-----|------|
| NO | DATE | DESCRIPTION | BY | CHK | APPD |
| A2 | | REVISED PER ECR-11-021344 | | | |



- 1 MATERIAL:
 HOUSING: HIGH TEMPERATURE PLASTIC, UL94V-0, NAT.
 CONTACT: COPPER ALLOY
 LATCH: SUS301 STAINLESS STEEL
- 2 FINISH:
 CONTACT AREA: 0.00025 MIN GOLD ON
 0.001 MIN ALL OVER NICKEL
 SOLDERING AREA: 0.00005 MIN TO 0.00030 MAX GOLD.
 LATCH: TIN.
- 3. TOLERANCES NON-ACCUMULATIVE.
- 4 PART PACKAGED IN TAPE & REEL AS PER EIA-1S704 STANDARD.
 REEL DIAMETER SHALL BE 330mm,
 TAPE WIDTH SHALL BE 88mm, AND
 TAPE PITCH SHALL BE 36mm.
- 5. COMPLIES WITH JEDEC SOCKET OUTLINE SO-008.
- 6 DATE CODE (4-DIGITS), LOCATED AS SHOWN.
 TO BE INTERPRETED AS FOLLOWS:
 DIGIT # 1 - LAST DIGIT OF YEAR.
 DIGITS # 2 AND # 3 - CALENDAR WEEK.
 DIGIT # 4 - DAY OF THE WEEK (WITH SUNDAYS AS DAY 1).



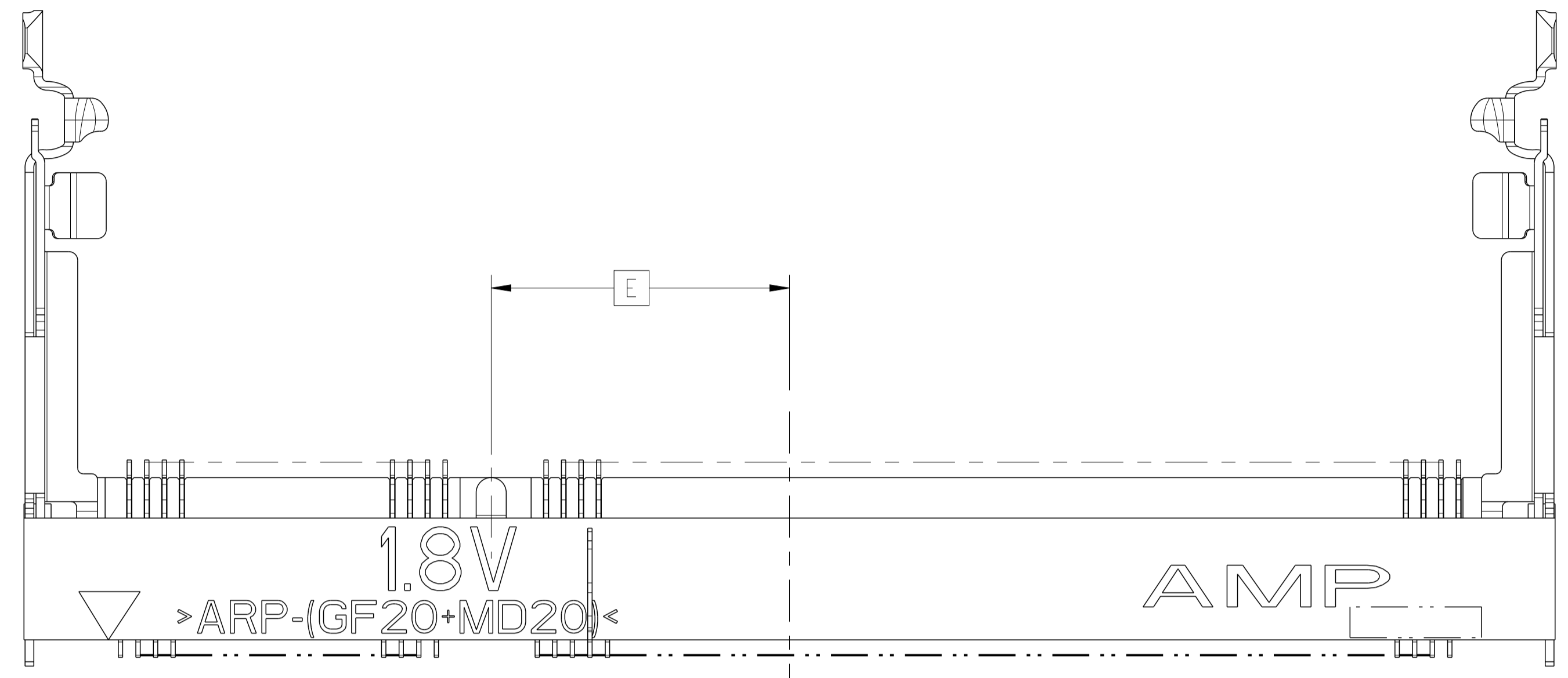
X-1735251-1 AS SHOWN

| PACKAGING | DIM E | DIM D | DIM C | DIM B | DIM A | VARIATION VOLTAGE (DDR TYPE) | POS | PART NUMBER |
|---------------|-------|-------|-------|-------|-------|------------------------------|-----|-------------|
| TAPE & REEL 4 | 12.85 | 1.35 | 3.25 | 1.75 | 2.85 | AC 1.50/1.35V (DDR3) | 144 | 1-1735251-3 |
| TAPE & REEL 4 | 13.60 | 2.10 | 2.5 | 2.5 | 2.10 | AB 1.8V (DDR2) | 144 | 1-1735251-2 |
| SOFT TRAY | 12.85 | 1.35 | 3.25 | 1.75 | 2.85 | AC 1.50/1.35V (DDR3) | 144 | 1735251-3 |
| SOFT TRAY | 13.60 | 2.10 | 2.5 | 2.5 | 2.10 | AB 1.8V (DDR2) | 144 | 1735251-2 |
| SOFT TRAY | 14.35 | 2.85 | 1.75 | 3.25 | 1.35 | AA 2.5V (DDR1) | 144 | 1735251-1 |

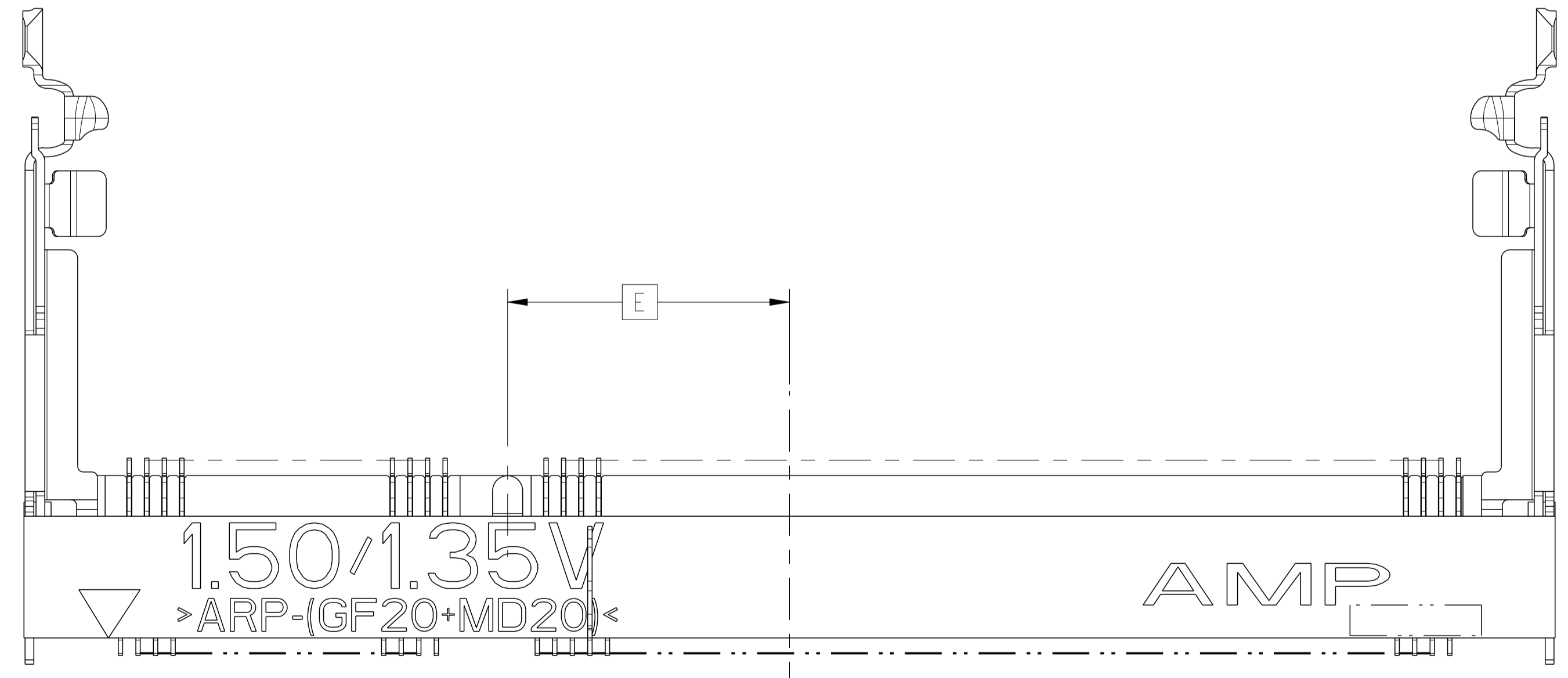
| | | | |
|--|----------------------|--|--|
| <small>THIS DRAWING IS A CONTROLLED DOCUMENT FOR AMP INCORPORATED. ALL CHANGES MUST BE CONTROLLED AND APPROVED BY THE ORGANIZATION. ANY CHANGES SHOULD BE CONTACTED FOR THE LATEST REVISION.</small> | | DWN: NYLEE CHK: YJ SEE APD: SE LEONG PRODUCT SPEC: 108-1739 APPLICATION SPEC: 114-1114 | 25MAY05 NAME: S.O. DIMM SOCKET, 0.8mm PITCH, 144 POSITION, STD PROFILE SIZE: A1 CAGE CODE: 00779 DRAWING NO: 1735251 SCALE: 4:1 |
| DIMENSIONS: mm TOLERANCES UNLESS OTHERWISE SPECIFIED: 0 PLC ±0.2 1 PLC ±0.2 2 PLC ±0.2 3 PLC ±0.2 4 PLC ±0.2 ANGLES ±° | MATERIAL: FINISH: | WEIGHT: - CUSTOMER DRAWING | TE CONNECTIVITY Singapore SHEET 1 OF 3 REV A2 |

THIS DRAWING IS UNPUBLISHED. RELEASED FOR PUBLICATION .19
 © COPYRIGHT 19 BY AMP INCORPORATED. ALL RIGHTS RESERVED.

| LOC | | DIST | | REVISIONS | | | |
|-----|-----|-------------|------|-----------|------|--|--|
| F | LT# | DESCRIPTION | DATE | DN# | AP#D | | |
| - | - | SEE SHEET 1 | - | - | - | | |

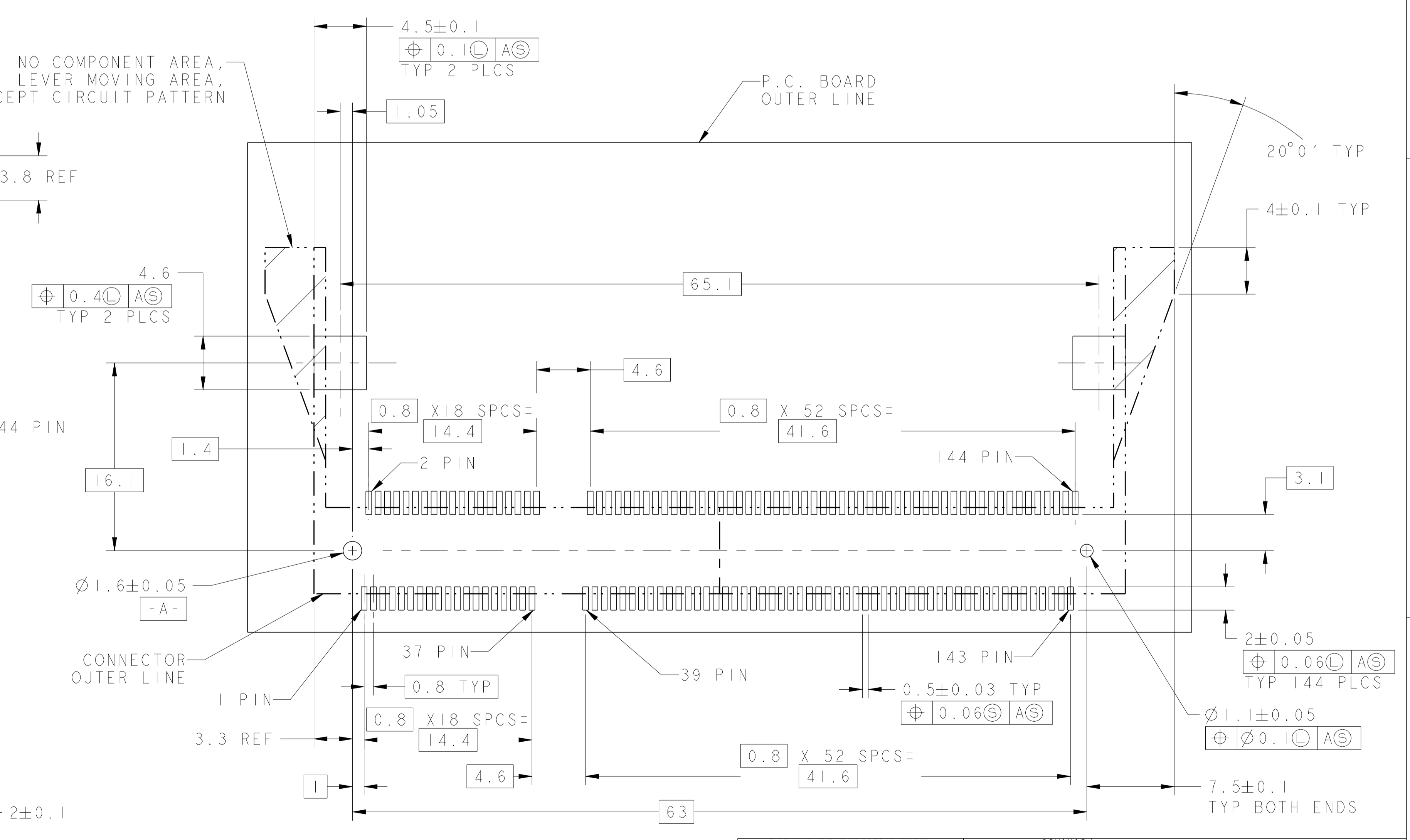
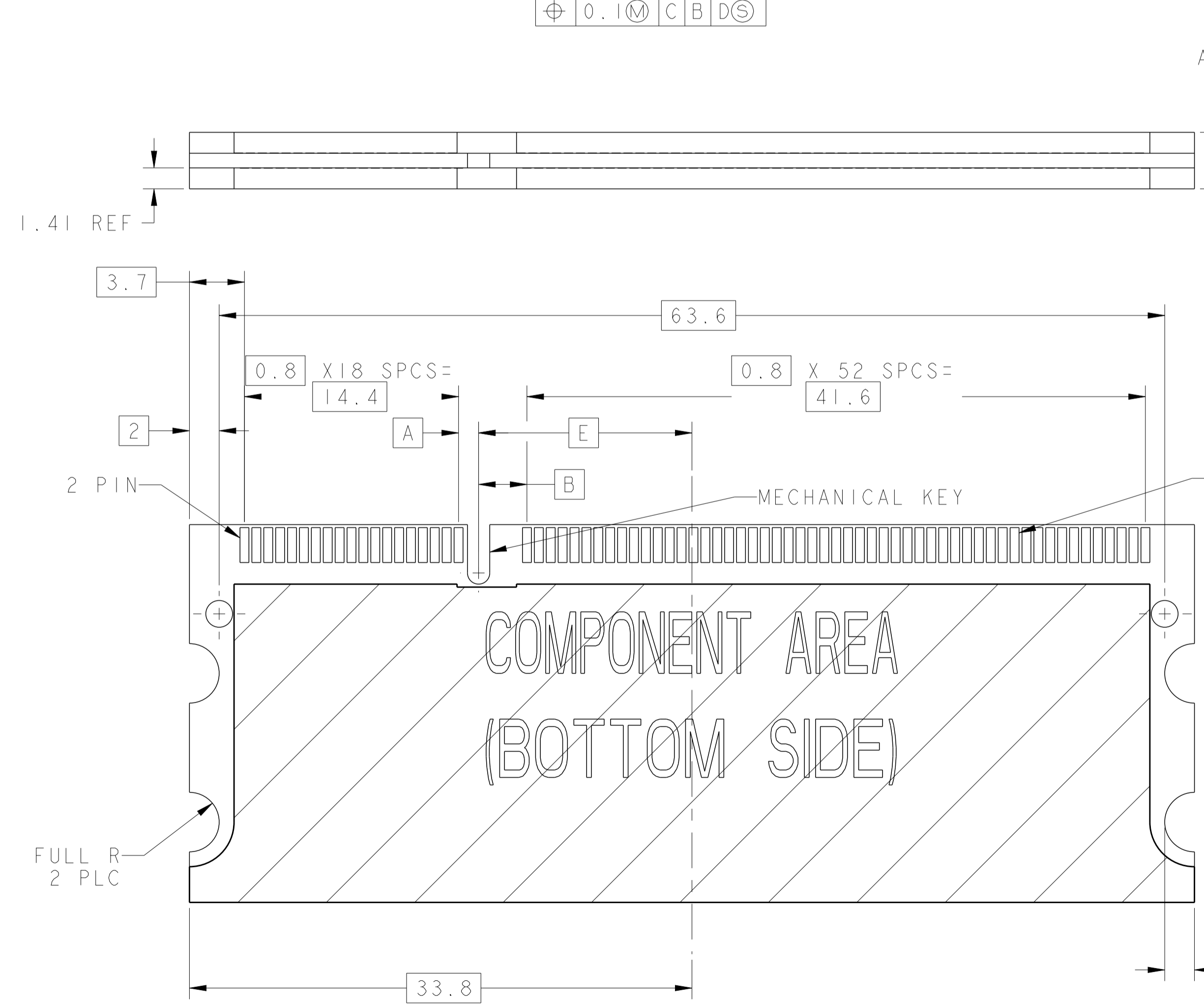
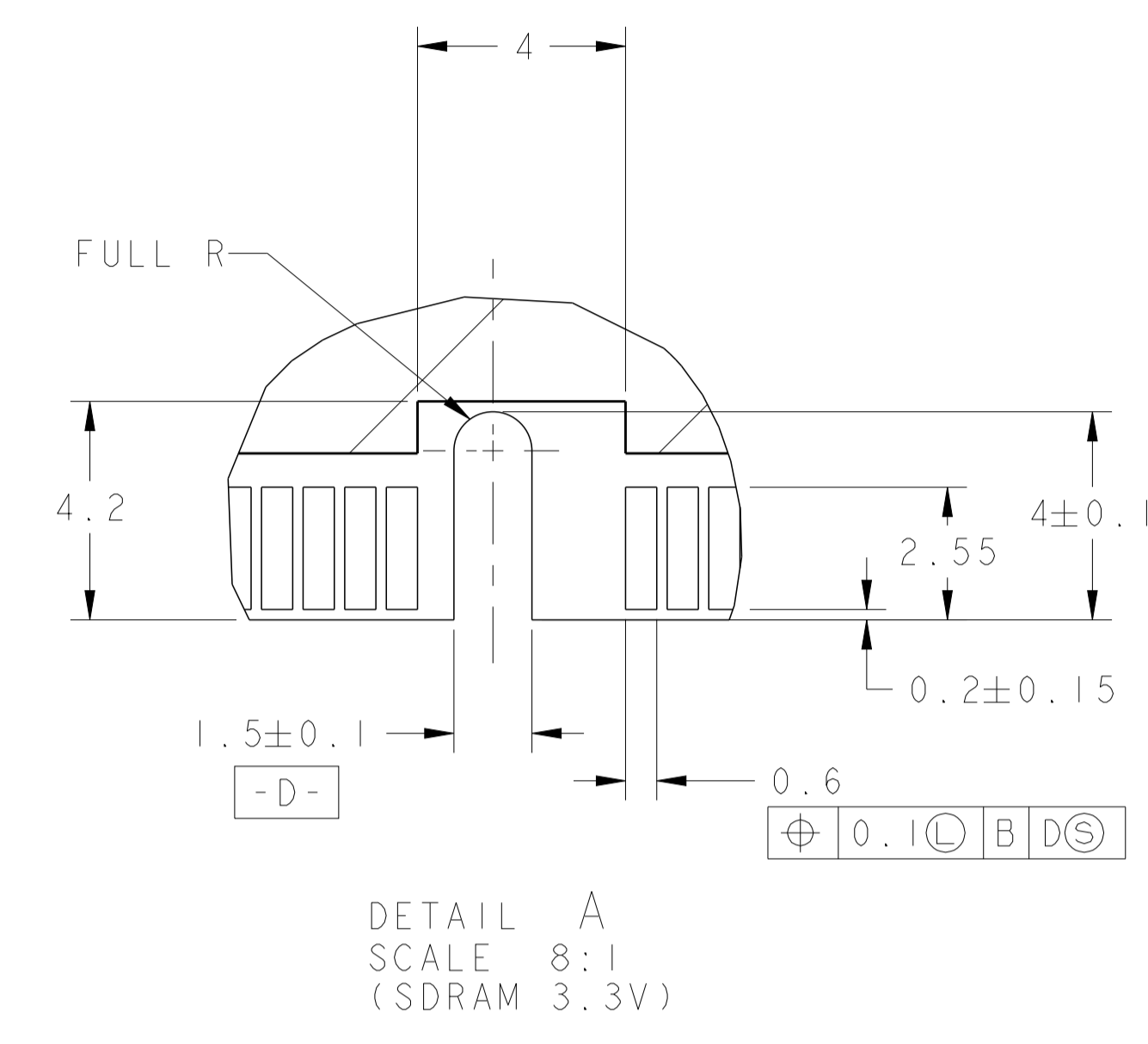
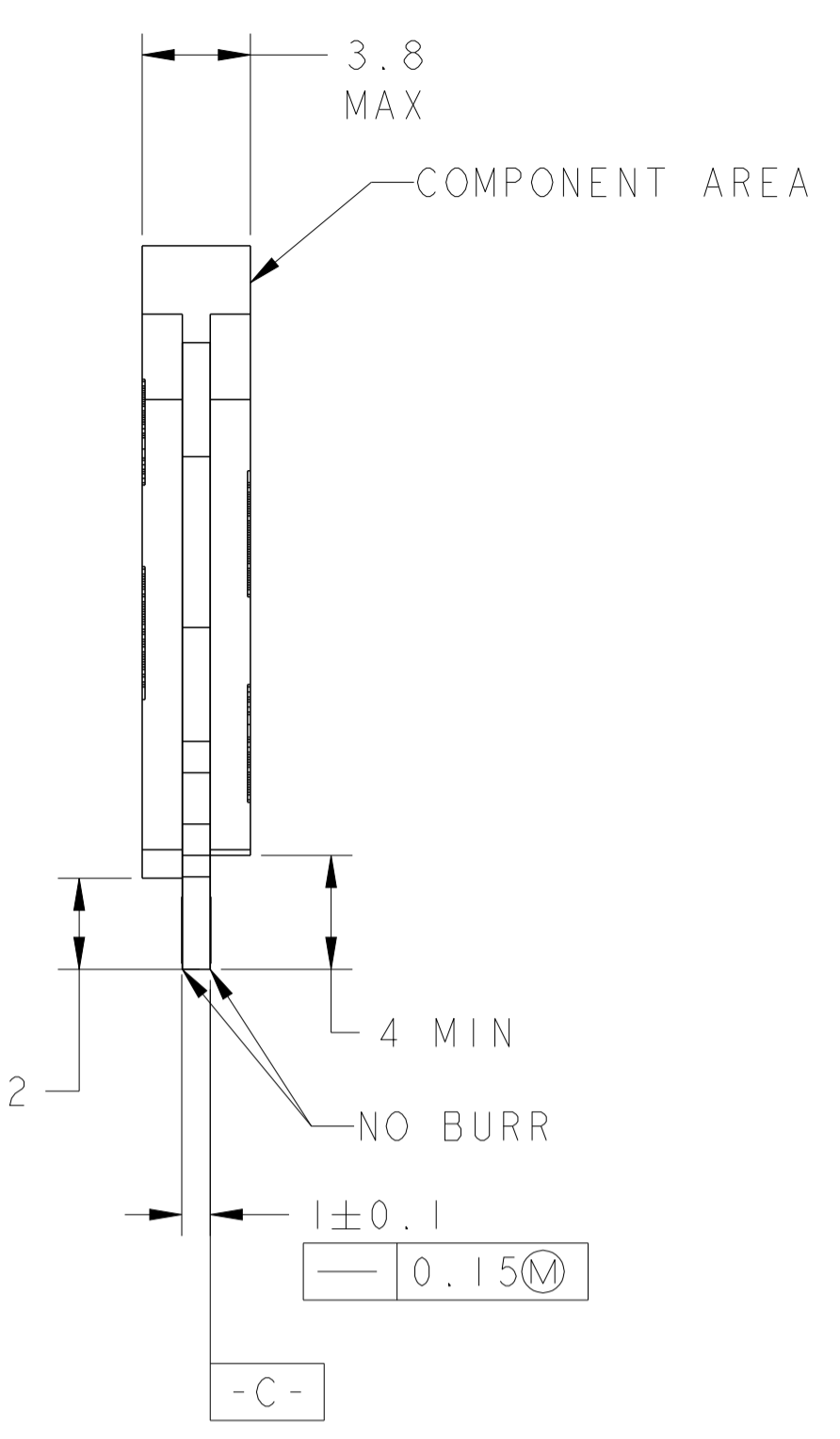
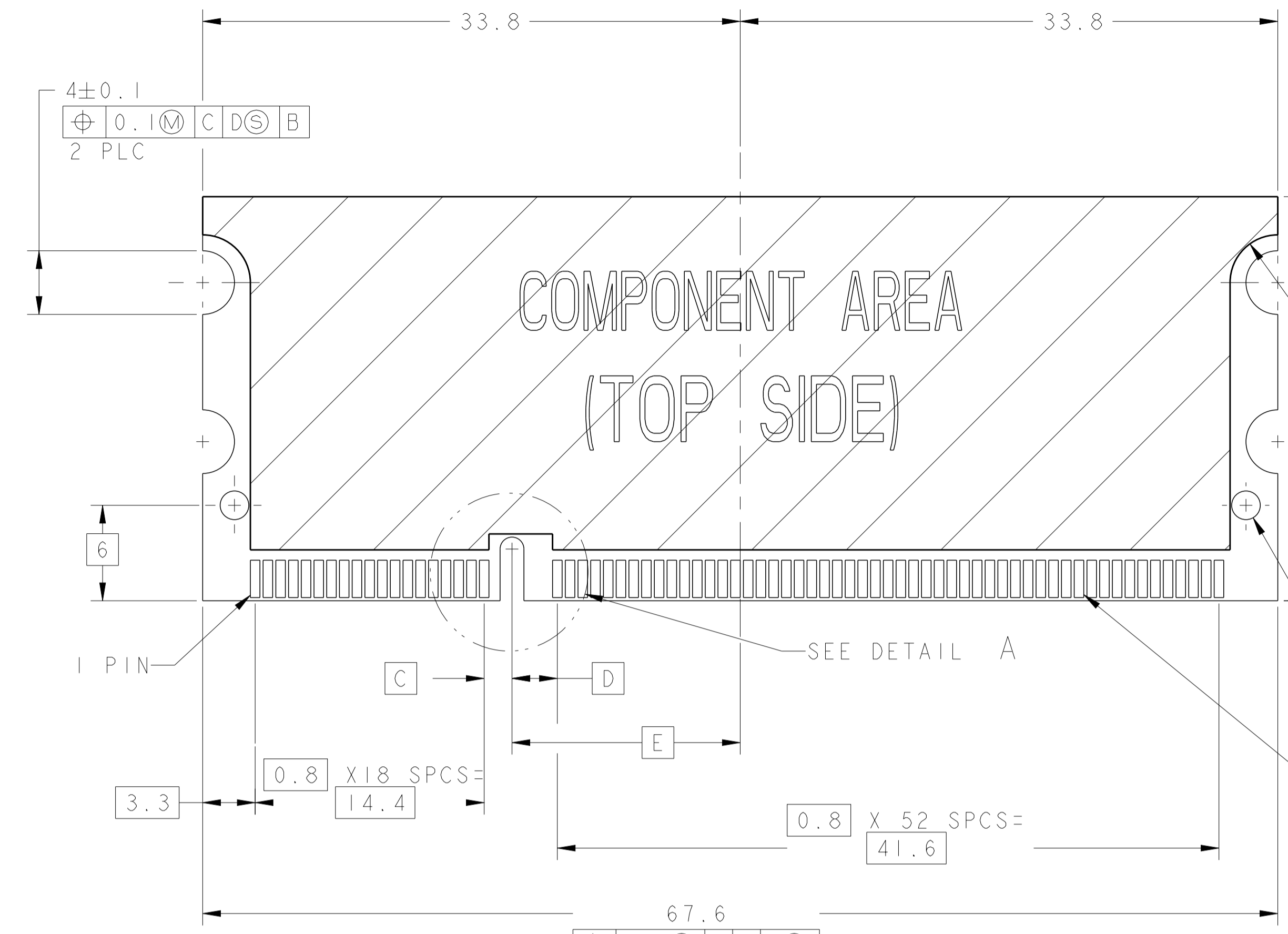


X-1735251-2 AS SHOWN



X-1735251-3 AS SHOWN

| | | | |
|--|--|---|--|
| <small>THIS DRAWING IS A CONTROLLED DOCUMENT FOR AMP INCORPORATED AND IS SUBJECT TO CHANGE. AMP, THE CONTROL AND ENGINEERING ORGANIZATION SHOULD BE CONTACTED FOR THE LATEST REVISION.</small> | | DWN: WYLEE CHK: Y.J. SEE APD: SE LEONG PRODUCT SPEC: 108-1739 APPLICATION SPEC: 114-1114 | 25MAT05 STE TE CONNECTIVITY Singapore |
| DIMENSIONS: mm | TOLERANCES UNLESS OTHERWISE SPECIFIED: 0 PLC ±0.2 1 PLC ±0.2 2 PLC ±0.2 3 PLC ±0.2 4 PLC ± ANGLES ±° | NAME: S.O. DIMM SOCKET, 0.8mm PITCH, 144 POSITION, STD PROFILE SIZE: A1 CAGE CODE: 00779 DRAWING NO: C-1735251 | SCALE: 4:1 SHEET: 2 of 3 REV: A2 |
| MATERIAL FINISH | | WEIGHT | CUSTOMER DRAWING |



RECOMMENDED P.C. BOARD PATTERN LAYOUT (CONNECTOR MOUNTING SIDE)

| | | | | |
|--|----------------------|--|--|------------------------------|
| <small>THIS DRAWING IS A CONTROLLED DOCUMENT FOR AMP INCORPORATED AND IS SUBJECT TO CHANGE. AMP, THE CONTROL AND ENGINEERING ORGANIZATION SHOULD BE CONTACTED FOR THE LATEST REVISION.</small> | | DWN: WYLEE CHK: Y.J. SEE APVD: SE LEONG PRODUCT SPEC: 108-1739 APPLICATION SPEC: 114-1114 WEIGHT: - CUSTOMER DRAWING | 25MAY05 NAME: S.O. DIMM SOCKET, 0.8mm PITCH, 144 POSITION, STD PROFILE SIZE: A1 CAGE CODE: 00779 DRAWING NO: C-1735251 SCALE: 4:1 SHEET: 3 of 3 REV: A2 | TE CONNECTIVITY Singapore |
| DIMENSIONS: mm TOLERANCES UNLESS OTHERWISE SPECIFIED: 0 PLC ±0.2 1 PLC ±0.2 2 PLC ±0.2 3 PLC ±0.2 4 PLC ±0.2 ANGLES ±° | MATERIAL: FINISH: | | | |