



Chipsmall Limited consists of a professional team with an average of over 10 year of expertise in the distribution of electronic components. Based in Hongkong, we have already established firm and mutual-benefit business relationships with customers from,Europe,America and south Asia,supplying obsolete and hard-to-find components to meet their specific needs.

With the principle of “Quality Parts,Customers Priority,Honest Operation,and Considerate Service”,our business mainly focus on the distribution of electronic components. Line cards we deal with include Microchip,ALPS,ROHM,Xilinx,Pulse,ON,Everlight and Freescale. Main products comprise IC,Modules,Potentiometer,IC Socket,Relay,Connector.Our parts cover such applications as commercial,industrial, and automotives areas.

We are looking forward to setting up business relationship with you and hope to provide you with the best service and solution. Let us make a better world for our industry!



Contact us

Tel: +86-755-8981 8866 Fax: +86-755-8427 6832

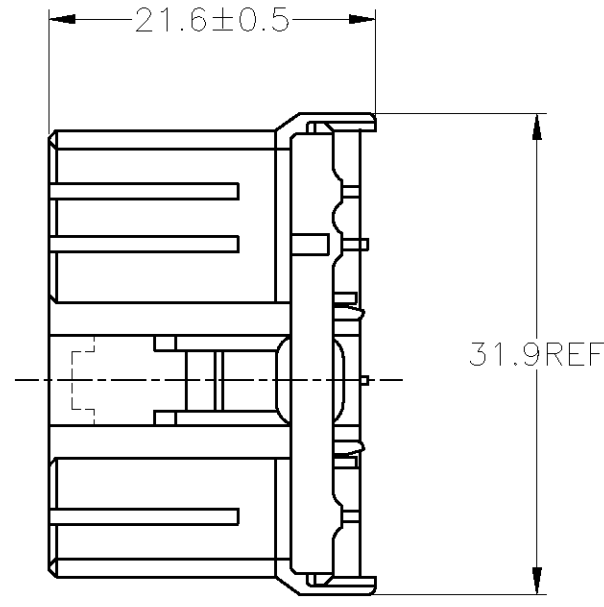
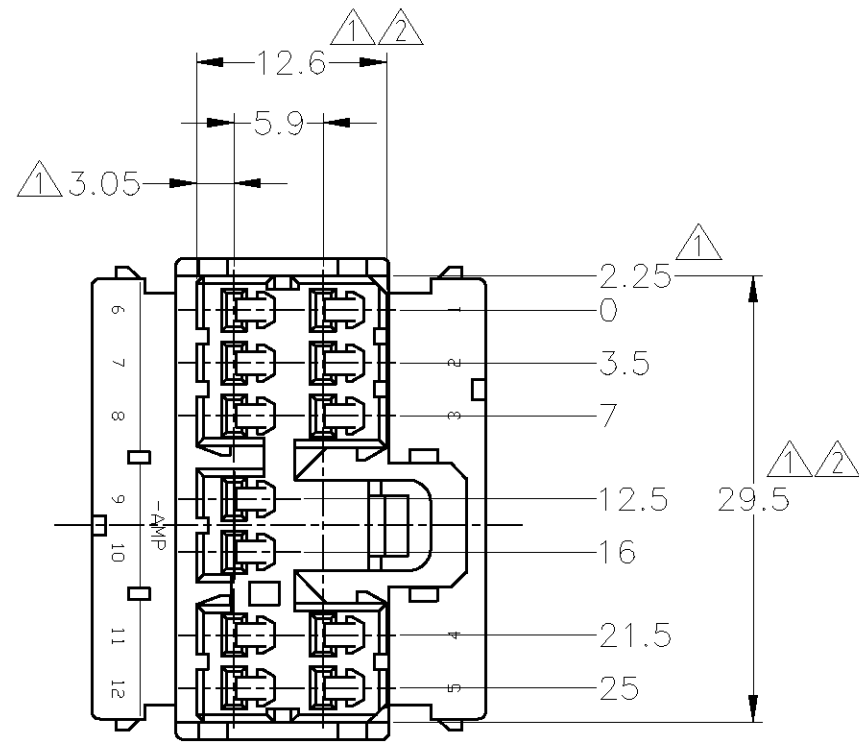
Email & Skype: info@chipsmall.com Web: www.chipsmall.com

Address: A1208, Overseas Decoration Building, #122 Zhenhua RD., Futian, Shenzhen, China



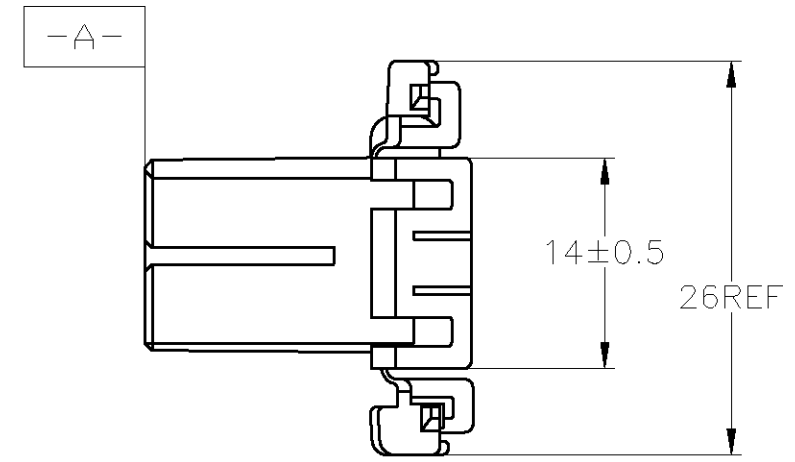
THIS DRAWING IS UNPUBLISHED. RELEASED FOR PUBLICATION
 © COPYRIGHT - By - ALL RIGHTS RESERVED.

LOC	DIST	REVISIONS					
J	-	P	LTR	DESCRIPTION	DATE	DWN	APVD
		E1		REDRAWN W/CHANGE	ECR-12-021403	13DEC2012	TS KB



△ MUST BE KEPT BETWEEN [-A-] AND 2
 △ TO BE MATED WITH THE CAP HOUSING SMOOTHLY
 3. APPLIED CONTACT PART NUMBER; 173630 AND 173631

△ [-A-] 面より2mmの範囲で測定
 △ 相手ハウジングと所定の機能を満足して嵌合できること
 3. 内装するリセプタクルコンタクト型番173630 及び 173631



V-2	自然色 (NATURAL)	1-173851-1
HB	オレンジ (ORANGE)	173851-8
	灰 (GRAY)	173851-6
	青 (BLUE)	173851-5
	緑 (GREEN)	173851-4
	黒 (BLACK)	173851-2
	自然色 (NATURAL)	173851-1
使用材料難燃グレード (FLAMMABILITY OF MATERIAL)	色 (COLOR)	型番 (PART NUMBER)

THIS DRAWING IS A CONTROLLED DOCUMENT.

DIMENSIONS: 単位: 耗 mm	TOLERANCES UNLESS OTHERWISE SPECIFIED: 一般公差	DWN T.SHINOHARA 13DEC2012	TE Connectivity																																				
<table border="1"> <tr> <td>0 PLC</td> <td>±-</td> </tr> <tr> <td>1 PLC</td> <td>±-</td> </tr> <tr> <td>2 PLC</td> <td>±-</td> </tr> <tr> <td>3 PLC</td> <td>±-</td> </tr> <tr> <td>4 PLC</td> <td>±-</td> </tr> <tr> <td>ANGLES</td> <td>±-</td> </tr> </table>	0 PLC	±-		1 PLC	±-	2 PLC	±-	3 PLC	±-	4 PLC	±-	ANGLES	±-	<table border="1"> <tr> <td>MATERIAL 材料</td> <td>PBT</td> </tr> <tr> <td>FINISH 仕上</td> <td>-</td> </tr> </table>	MATERIAL 材料	PBT	FINISH 仕上	-	<table border="1"> <tr> <td>CHK K.BETSUI 13DEC2012</td> <td>APVD K.BUTSUI 13DEC2012</td> </tr> <tr> <td>PRODUCT SPEC 製品規格</td> <td>108-5216,5264</td> </tr> <tr> <td>APPLICATION SPEC 取付適用規格</td> <td>-</td> </tr> <tr> <td>WEIGHT</td> <td>-</td> </tr> </table>	CHK K.BETSUI 13DEC2012	APVD K.BUTSUI 13DEC2012	PRODUCT SPEC 製品規格	108-5216,5264	APPLICATION SPEC 取付適用規格	-	WEIGHT	-	<table border="1"> <tr> <td>NAME 名称</td> <td colspan="2">070 SERIES MULTI-LOCK CONNECTOR 12POSITION PLUG HOUSING</td> </tr> <tr> <td>SIZE</td> <td>A3</td> <td>CAGE CODE 00779</td> </tr> <tr> <td>DRAWING NO 番号</td> <td colspan="2">C-173851</td> </tr> <tr> <td>RESTRICTED TO</td> <td colspan="2">-</td> </tr> </table>	NAME 名称	070 SERIES MULTI-LOCK CONNECTOR 12POSITION PLUG HOUSING		SIZE	A3	CAGE CODE 00779	DRAWING NO 番号	C-173851		RESTRICTED TO	-
0 PLC	±-																																						
1 PLC	±-																																						
2 PLC	±-																																						
3 PLC	±-																																						
4 PLC	±-																																						
ANGLES	±-																																						
MATERIAL 材料	PBT																																						
FINISH 仕上	-																																						
CHK K.BETSUI 13DEC2012	APVD K.BUTSUI 13DEC2012																																						
PRODUCT SPEC 製品規格	108-5216,5264																																						
APPLICATION SPEC 取付適用規格	-																																						
WEIGHT	-																																						
NAME 名称	070 SERIES MULTI-LOCK CONNECTOR 12POSITION PLUG HOUSING																																						
SIZE	A3	CAGE CODE 00779																																					
DRAWING NO 番号	C-173851																																						
RESTRICTED TO	-																																						
<table border="1"> <tr> <td>TOLERANCES UNLESS OTHERWISE SPECIFIED: 一般公差</td> <td> 10± : ±0.2 30± > 10 : ±0.25 100± > 30 : ±0.3 ANGLE : ±3° </td> </tr> </table>		TOLERANCES UNLESS OTHERWISE SPECIFIED: 一般公差	10± : ±0.2 30± > 10 : ±0.25 100± > 30 : ±0.3 ANGLE : ±3°	<table border="1"> <tr> <td>CUSTOMER DRAWING</td> <td>SCALE 尺度 2:1</td> <td>SHEET 1 OF 1</td> <td>REV E1</td> </tr> </table>		CUSTOMER DRAWING	SCALE 尺度 2:1	SHEET 1 OF 1	REV E1																														
TOLERANCES UNLESS OTHERWISE SPECIFIED: 一般公差	10± : ±0.2 30± > 10 : ±0.25 100± > 30 : ±0.3 ANGLE : ±3°																																						
CUSTOMER DRAWING	SCALE 尺度 2:1	SHEET 1 OF 1	REV E1																																				