



Chipsmall Limited consists of a professional team with an average of over 10 year of expertise in the distribution of electronic components. Based in Hongkong, we have already established firm and mutual-benefit business relationships with customers from,Europe,America and south Asia,supplying obsolete and hard-to-find components to meet their specific needs.

With the principle of “Quality Parts,Customers Priority,Honest Operation,and Considerate Service”,our business mainly focus on the distribution of electronic components. Line cards we deal with include Microchip,ALPS,ROHM,Xilinx,Pulse,ON,Everlight and Freescale. Main products comprise IC,Modules,Potentiometer,IC Socket,Relay,Connector.Our parts cover such applications as commercial,industrial, and automotives areas.

We are looking forward to setting up business relationship with you and hope to provide you with the best service and solution. Let us make a better world for our industry!



Contact us

Tel: +86-755-8981 8866 Fax: +86-755-8427 6832

Email & Skype: info@chipsmall.com Web: www.chipsmall.com

Address: A1208, Overseas Decoration Building, #122 Zhenhua RD., Futian, Shenzhen, China



THIS DRAWING IS UNPUBLISHED.

RELEASED FOR PUBLICATION

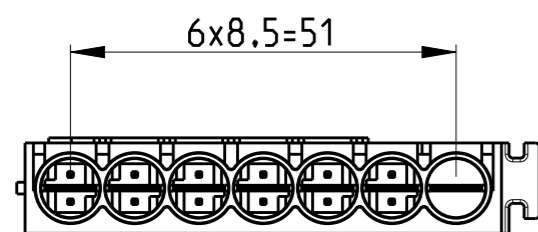
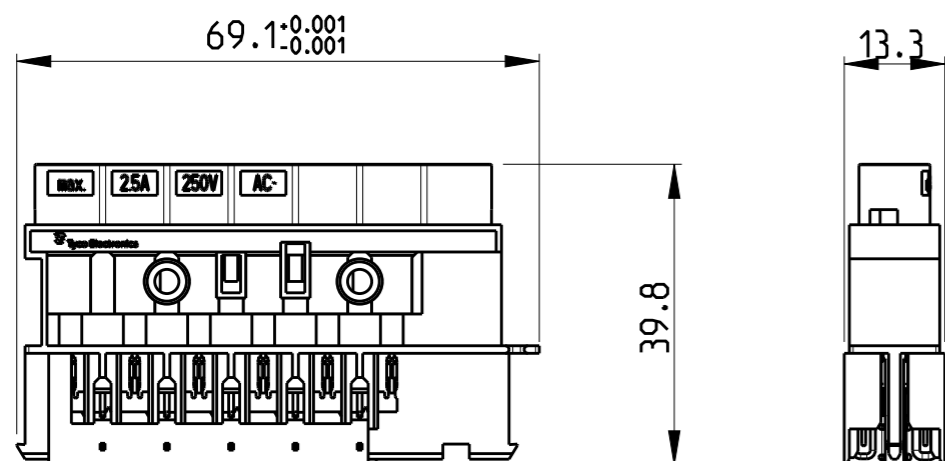
2006

© COPYRIGHT 2006 BY -

ALL RIGHTS RESERVED.

REVISIONS

| P | LTR | DESCRIPTION | DATE | DWN | APVD |
|----|-----|---------------|-----------|-----|------|
| C3 | | ECR-15-001522 | 05FEB2015 | RS | JL |
| C4 | | ECR-16-002347 | 23FEB2016 | RS | JL |
| C5 | | ECR-16-004670 | 04APR2016 | RS | JL |
| D | | ECR-17-003481 | 10MAY2017 | SK | PO |

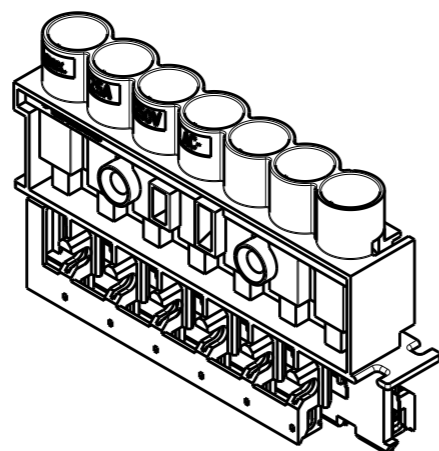
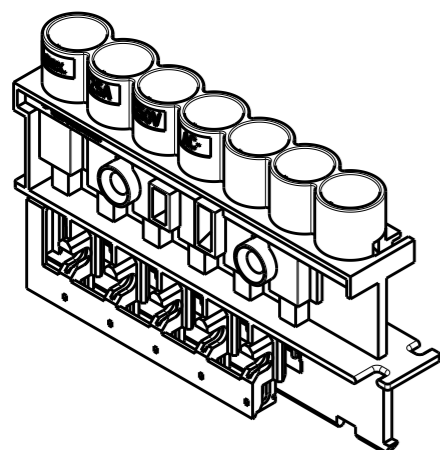


NOTES:

- PARTS PRELOADED WITH CONTACTS
 - MATERIAL HOUSING: PA6/WEIGHT ~11 g
MATERIAL CONTACTS: CuNiSi/WEIGHT ~2.8 g
 - FOR 7 POS. VERSION ADD CODING RING PN 1740316-1
- △ OBSOLETE.

6 POS VERSION AS SHOWN

7-POS VERSION FOR SWITCH APPLICATION AS SHOWN ABOVE



1:1

| | | | | | | |
|----|-----------|-----------|-------------|------|--------------------|---------------------------------|
| △4 | HV-2 (1X) | LV-2 (6x) | 1-1740317-1 | B | YELLOW | DISTRIBUTOR 7 POS. 7A/125V DC |
| | | LV-2 (6x) | 0-1740317-9 | B | YELLOW | DISTRIBUTOR 6 POS. 7A/125V DC |
| △4 | HV-2 (1X) | LV-1 (6x) | 0-1740317-8 | B | LIGHT GREY | DISTRIBUTOR 7 POS. 7A/125V AC |
| △4 | | LV-1 (6x) | 0-1740317-7 | B | LIGHT GREY | DISTRIBUTOR 6 POS. 7A/125V AC |
| △4 | HV-2 (1X) | HV-3 (6x) | 0-1740317-6 | B | BLUE | DISTRIBUTOR 7 POS. 6A/125V AC |
| △4 | | HV-3 (6x) | 0-1740317-5 | B | BLUE | DISTRIBUTOR 6 POS. 6A/125V AC |
| △4 | HV-2 (1X) | HV-1 (6x) | 0-1740317-4 | C | BLACK (ANTHRACITE) | DISTRIBUTOR 7 POS. 2.5A/250V AC |
| | | HV-1 (6x) | 0-1740317-3 | C | BLACK (ANTHRACITE) | DISTRIBUTOR 6 POS. 2.5A/250V AC |
| | HV-2 (1X) | HV-1 (6x) | 0-1740317-2 | C | WHITE | DISTRIBUTOR 7 POS. 2.5A/250V AC |
| | | HV-1 (6x) | 0-1740317-1 | C | WHITE | DISTRIBUTOR 6 POS. 2.5A/250V AC |
| | SWITCH | WAY | ASS'Y PN | Rev. | COLOR | REMARKS |
| | CODING | | | | | |

THIS DRAWING IS A CONTROLLED DOCUMENT.

| | | |
|------|-----|-----------|
| DWN | SKA | 13APR2006 |
| CHK | WH | 13APR2006 |
| APVD | TG | 13APR2006 |



| DIMENSIONS: | TOLERANCES UNLESS OTHERWISE SPECIFIED: |
|-------------|--|
| mm | |
| | 0 PLC ±0.2 |
| | 1 PLC ±0.2 |
| | 2 PLC ±0.2 |
| | 3 PLC ± |
| | 4 PLC ± |
| | ANGLES ±1° |
| MATERIAL | FINISH |
| - | - |
| - | - |

| | |
|------------------|-----------|
| PRODUCT SPEC | 108-94019 |
| APPLICATION SPEC | 114-20139 |
| WEIGHT | ~13.8 g |

| | | | | | |
|------------------|-----------|------------|---------------|--|-----|
| NAME | | | | 7.5mm MiniHVL CONNECTOR SYSTEM CONTACT AND HOUSING ASSEMBLY 6 AND 7 POSITION | |
| SIZE | CAGE CODE | DRAWING NO | RESTRICTED TO | | |
| A3 | 00779 | C-1740317 | - | | |
| CUSTOMER DRAWING | | SCALE | SHEET | OF | REV |
| | | 1:1 | 1 | 1 | D |