



Chipsmall Limited consists of a professional team with an average of over 10 year of expertise in the distribution of electronic components. Based in Hongkong, we have already established firm and mutual-benefit business relationships with customers from,Europe,America and south Asia,supplying obsolete and hard-to-find components to meet their specific needs.

With the principle of “Quality Parts,Customers Priority,Honest Operation,and Considerate Service”,our business mainly focus on the distribution of electronic components. Line cards we deal with include Microchip,ALPS,ROHM,Xilinx,Pulse,ON,Everlight and Freescale. Main products comprise IC,Modules,Potentiometer,IC Socket,Relay,Connector.Our parts cover such applications as commercial,industrial, and automotives areas.

We are looking forward to setting up business relationship with you and hope to provide you with the best service and solution. Let us make a better world for our industry!



## Contact us

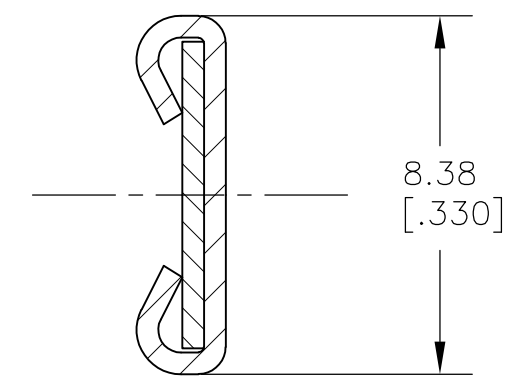
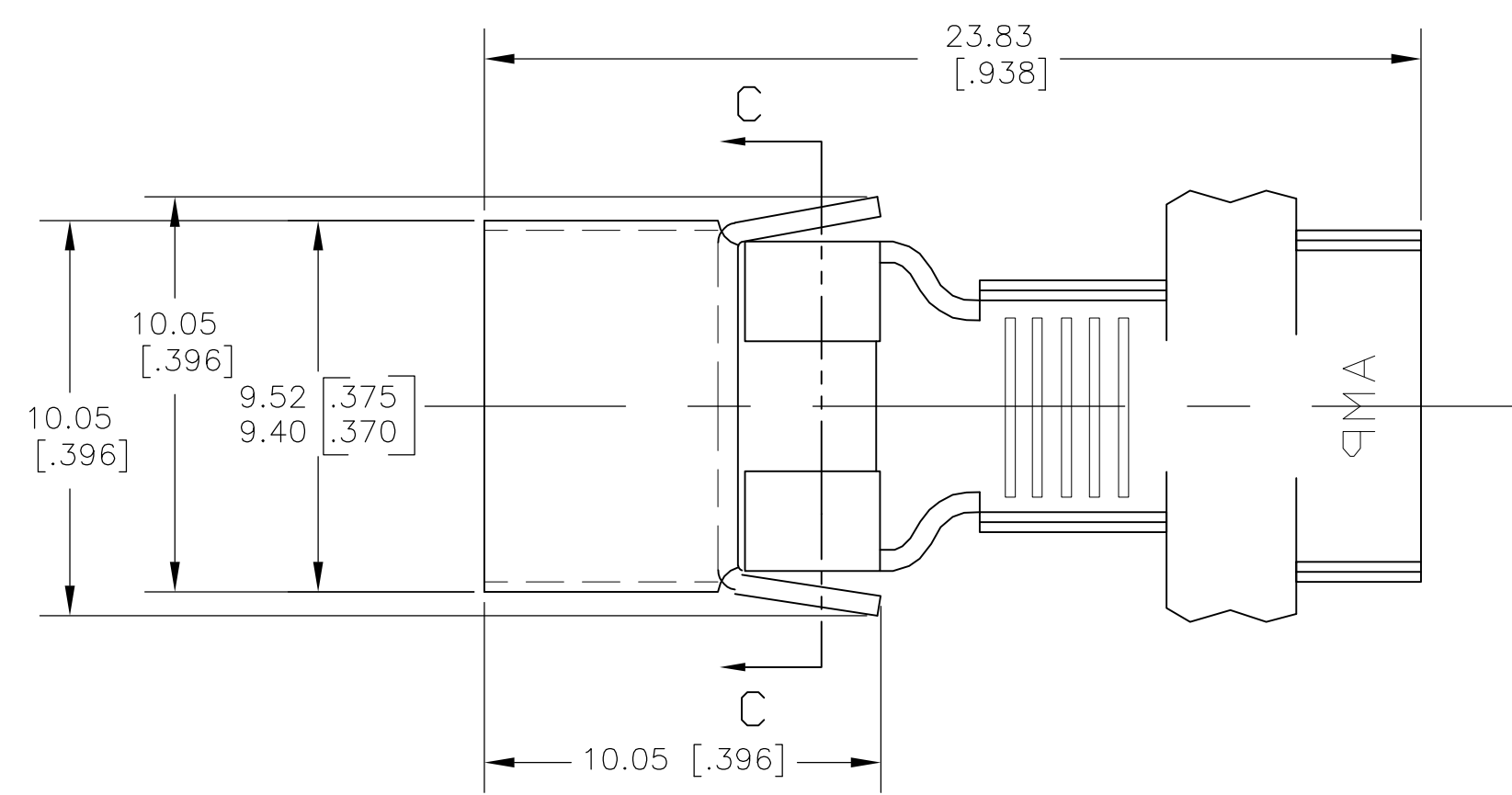
Tel: +86-755-8981 8866 Fax: +86-755-8427 6832

Email & Skype: info@chipsmall.com Web: www.chipsmall.com

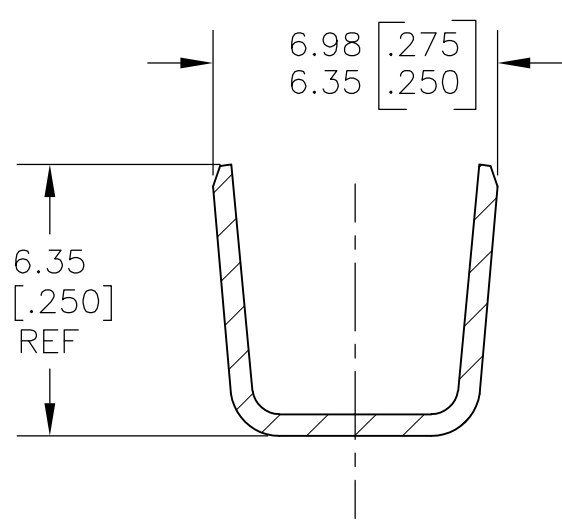
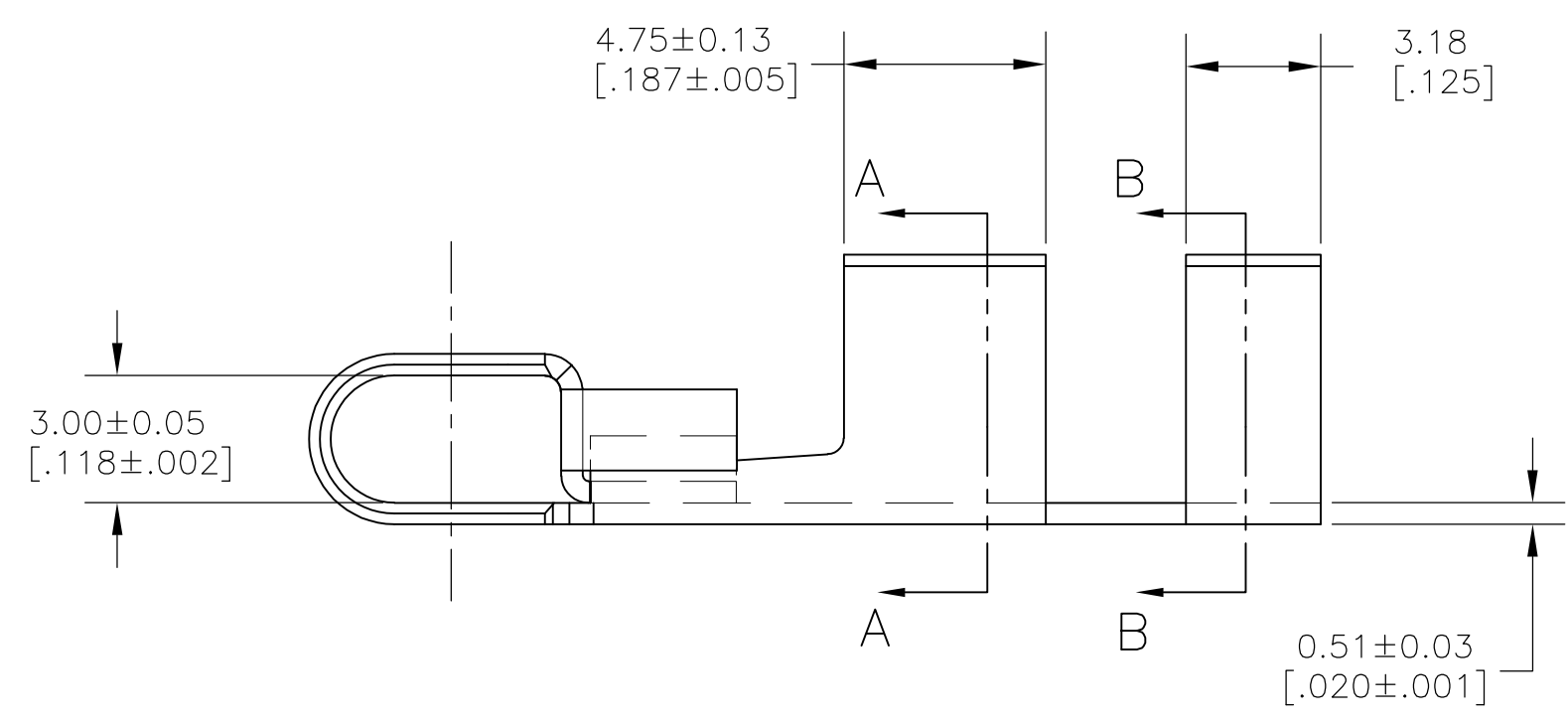
Address: A1208, Overseas Decoration Building, #122 Zhenhua RD., Futian, Shenzhen, China



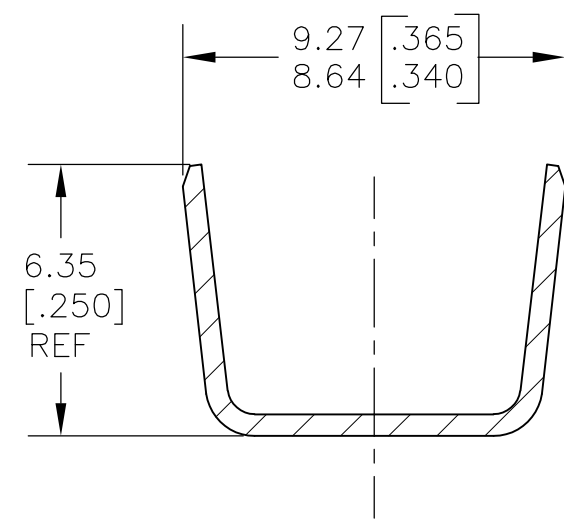
LOC	DIST	REVISIONS			
P	LTR	DESCRIPTION	DATE	OWN	APVD
AF	50	D4	REVISED PER ECO 13-002957	19FEB13	JR GJ



SECTION C-C



SECTION A-A



SECTION B-B

- 1 PRODUCT PROVIDED ON 19.56 [.770] CENTERS, IN STRIP FORM ON REELS. BREAKS MAY BE PRESENT.
- 2 WIRE SIZES [#14-#8 AWG] 2.08mm<sup>2</sup>-8.35mm<sup>2</sup>, STRANDED.
- 3 INSULATION RANGE 1.90-4.32 [.075-.170] DIA
- △ 4 EXTENDED QUANTITY PACKAGING
- △ 5 PRE-PRODUCTION - FASR REQUIRED
- △ 6 PRELIMINARY - NOT FOR PRODUCTION.

△ 4	POST TIN	H02 CuFeP ALLOY	△ 5	1-1742539-3
STANDARD	POST TIN	TMOS CuNiSi ALLOY	△ 6	1742539-4
STANDARD	POST TIN	H02 CuFeP ALLOY	△ 5	1742539-3
STANDARD	PRE-TIN	H02 CuFe ALLOY		1742539-2
STANDARD	POST TIN	H03 CuSnZn ALLOY		1742539-1
	Packaging	Finish	Material	Part Number

OBSOLETE

THIS DRAWING IS A CONTROLLED DOCUMENT.

DWN jr ruth 01FEB07	TE Connectivity RECEPTACLE, CLUSTER PIN, .125 DIA
CHK GARY PORTA 01FEB07	
APVD GARY PORTA 01FEB07	
DIMENSIONS: MM[INCHES] TOLERANCES UNLESS OTHERWISE SPECIFIED: 0 PLC ± - 1 PLC ± - 2 PLC ± 0.25 [.010] 3 PLC ± - 4 PLC ± - 1° ANGLES ± - 1°	PRODUCT SPEC 108-2388 APPLICATION SPEC 114-13244
MATERIAL SEE TABLE	FINISH SEE TABLE WEIGHT - CUSTOMER DRAWING
SIZE CAGE CODE DRAWING NO A2 00779 G-1742539	
RESTRICTED TO SCALE 6:1 SHEET 1 OF 1 REV D4	