



Chipsmall Limited consists of a professional team with an average of over 10 year of expertise in the distribution of electronic components. Based in Hongkong, we have already established firm and mutual-benefit business relationships with customers from,Europe,America and south Asia,supplying obsolete and hard-to-find components to meet their specific needs.

With the principle of "Quality Parts,Customers Priority,Honest Operation,and Considerate Service",our business mainly focus on the distribution of electronic components. Line cards we deal with include Microchip,ALPS,ROHM,Xilinx,Pulse,ON,Everlight and Freescale. Main products comprise IC,Modules,Potentiometer,IC Socket,Relay,Connector.Our parts cover such applications as commercial,industrial, and automotives areas.

We are looking forward to setting up business relationship with you and hope to provide you with the best service and solution. Let us make a better world for our industry!



Contact us

Tel: +86-755-8981 8866 Fax: +86-755-8427 6832

Email & Skype: info@chipsmall.com Web: www.chipsmall.com

Address: A1208, Overseas Decoration Building, #122 Zhenhua RD., Futian, Shenzhen, China



4

3

2

1

THIS DRAWING IS UNPUBLISHED.

RELEASED FOR PUBLICATION

--

© COPYRIGHT - By -

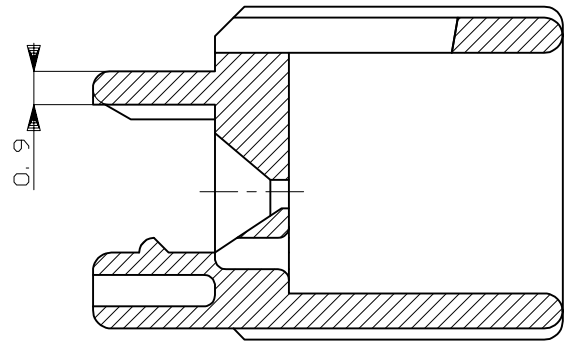
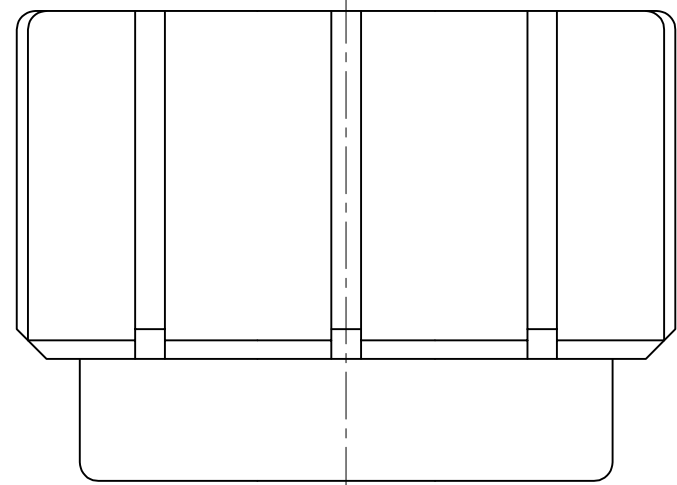
ALL RIGHTS RESERVED.

LOC

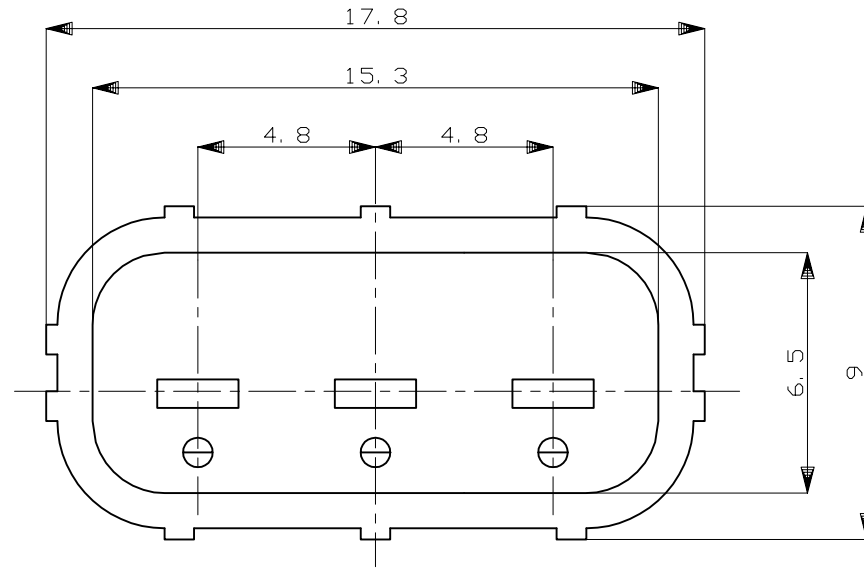
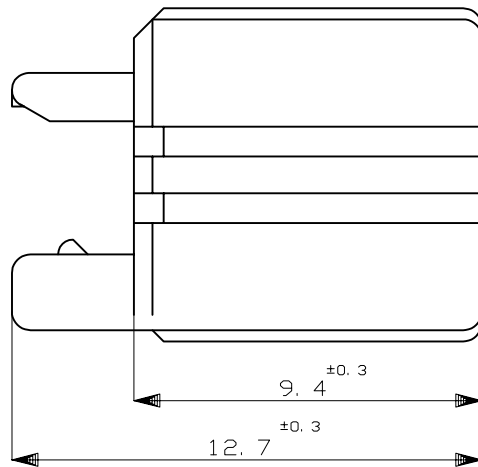
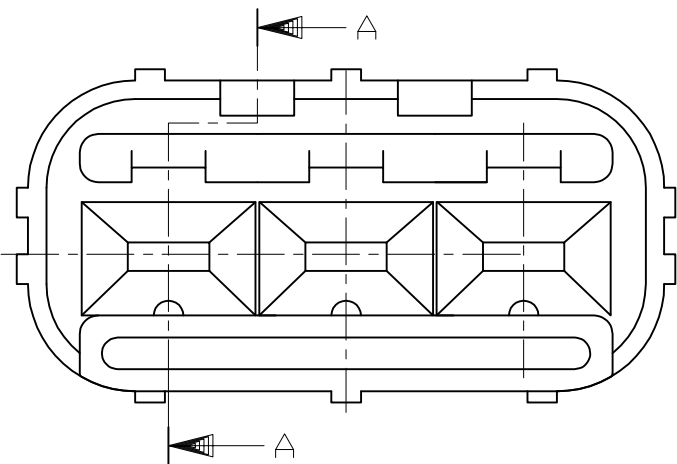
DIST

REVISIONS

P	LTR	DESCRIPTION	DATE	DWN	APVD
	C1	REVISED	08JAN2014	TS	KB




SECTION 断面 A-A



- 1. 本品は、キャップハウジング型番174359に装着される。
- 1. TO BE MATED WITH CAP HOUSING (PN:174359)

HB	自然色 (NATURAL)	1-174360-1
V-2	黄 (YELLOW)	174360-7
使用材料難燃グレード (FLAMMABILITY OF MATERIAL)	色 (COLOR)	型番 (PART NUMBER)

THIS DRAWING IS A CONTROLLED DOCUMENT.		DWN	K.ODA	8/19'87	 TE Connectivity	
DIMENSIONS: mm		CHK	Y.MATSUSAKA	8/24'87		
TOLERANCES UNLESS OTHERWISE SPECIFIED:		APVD	M.NOGUCHI	8/25'87		
0 PLC ±- 1 PLC ±- 2 PLC ±- 3 PLC ±- 4 PLC ±- ANGLES ±-		PRODUCT SPEC	108-5262			
MATERIAL		APPLICATION SPEC	-		NAME	3P. ECONOSEAL J-MARKII+ CONNECTOR DOUBLE LOCK PLATE FOR CAP HOUSING
PBT		FINISH	-		SIZE	A3
GENERAL TOLERANCE		WEIGHT	-		CAGE CODE	00779
0 < * ≤ 10 : ±0.2		CUSTOMER DRAWING	SCALE		DRAWING NO	C=174360
10 < * ≤ 30 : ±0.25			5:1		RESTRICTED TO	-
30 < * ≤ 100 : ±0.3			SHEET		REV	C1
ANGLES : ±3°			1 of 1			