



Chipsmall Limited consists of a professional team with an average of over 10 year of expertise in the distribution of electronic components. Based in Hongkong, we have already established firm and mutual-benefit business relationships with customers from,Europe,America and south Asia,supplying obsolete and hard-to-find components to meet their specific needs.

With the principle of “Quality Parts,Customers Priority,Honest Operation,and Considerate Service”,our business mainly focus on the distribution of electronic components. Line cards we deal with include Microchip,ALPS,ROHM,Xilinx,Pulse,ON,Everlight and Freescale. Main products comprise IC,Modules,Potentiometer,IC Socket,Relay,Connector.Our parts cover such applications as commercial,industrial, and automotives areas.

We are looking forward to setting up business relationship with you and hope to provide you with the best service and solution. Let us make a better world for our industry!



Contact us

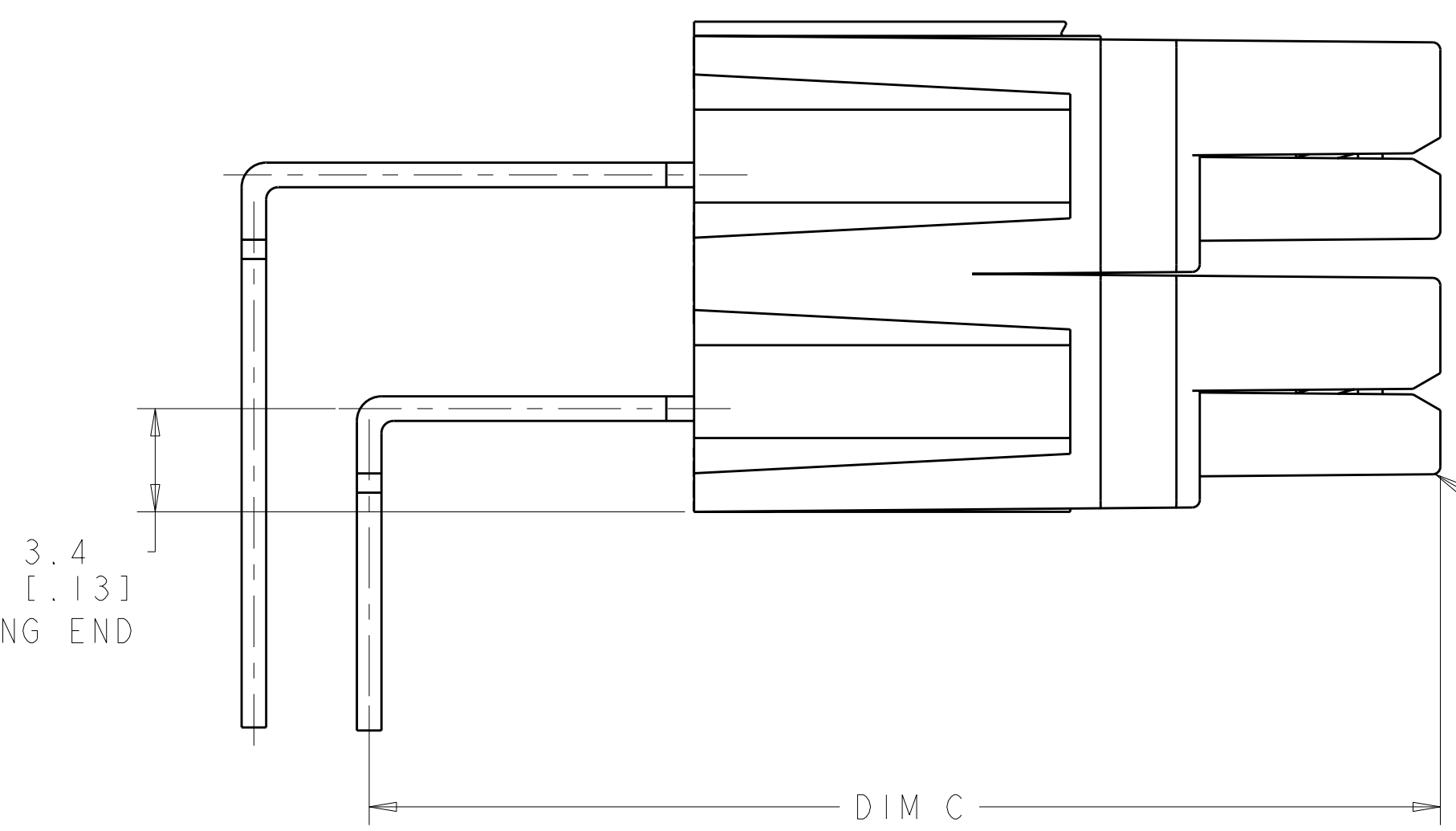
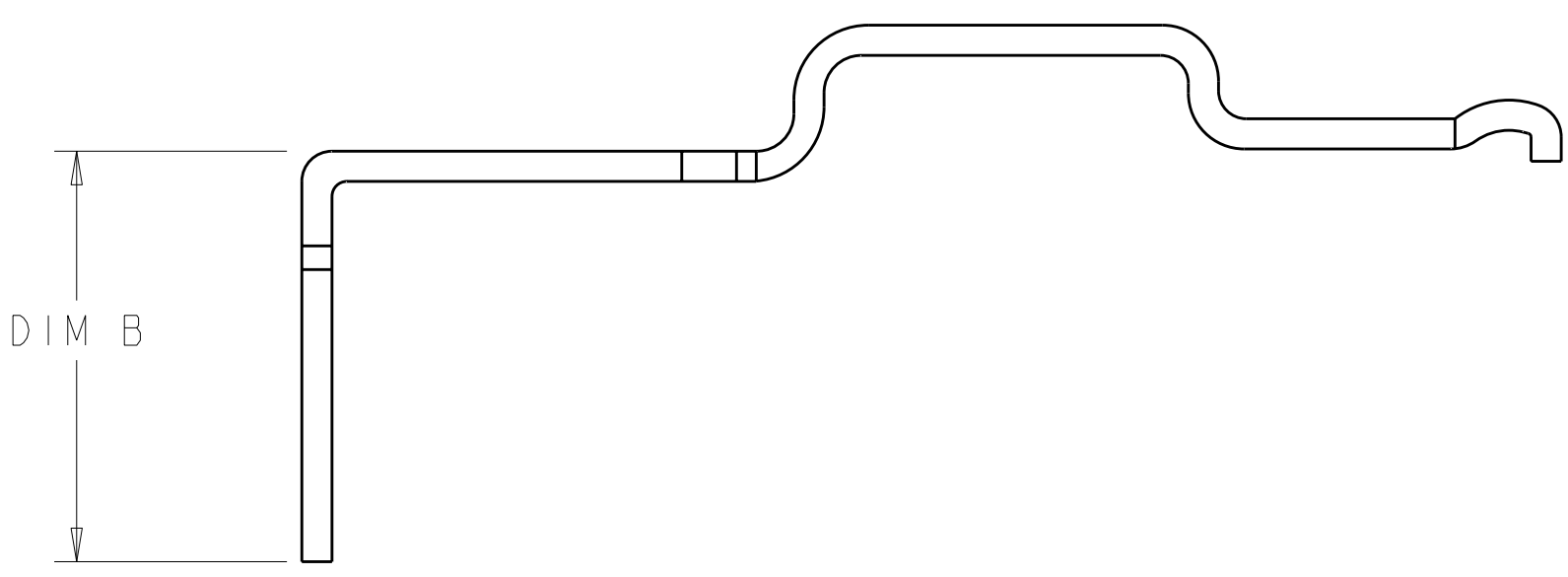
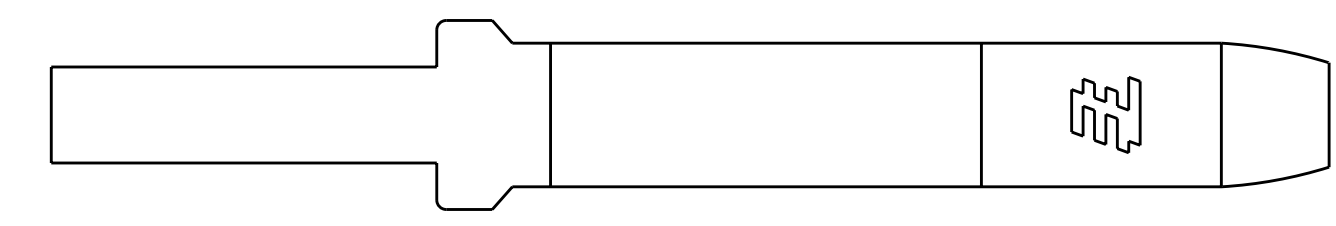
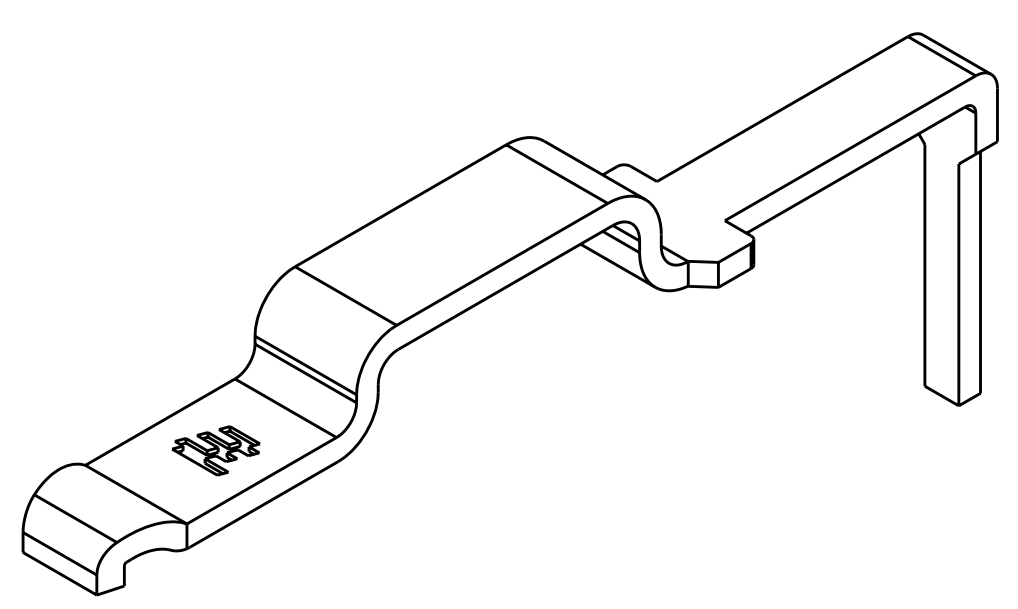
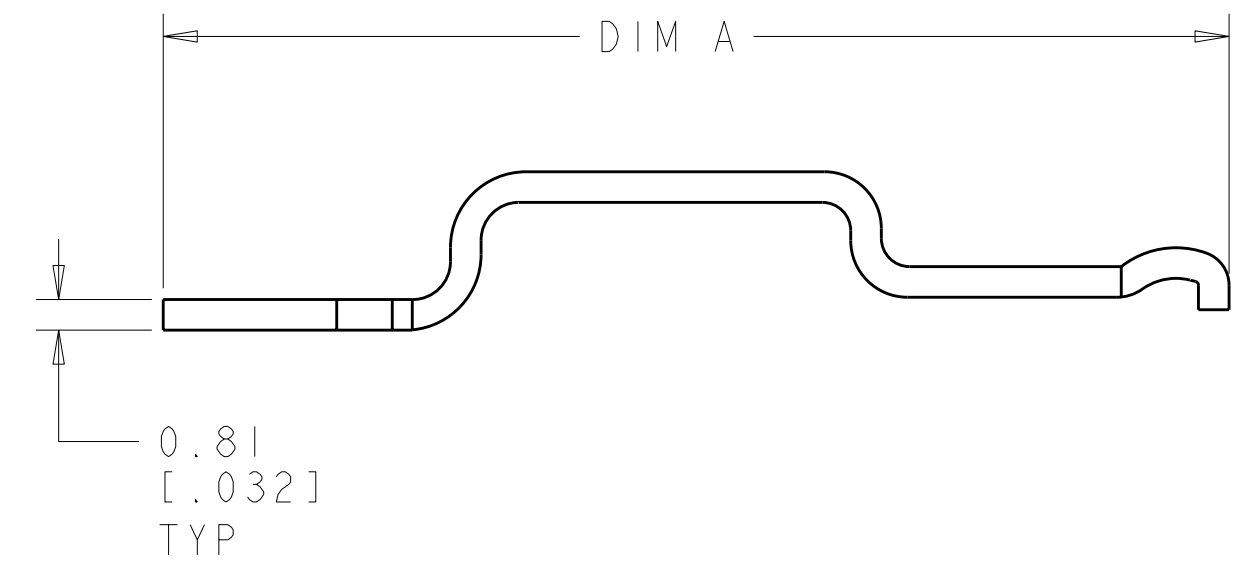
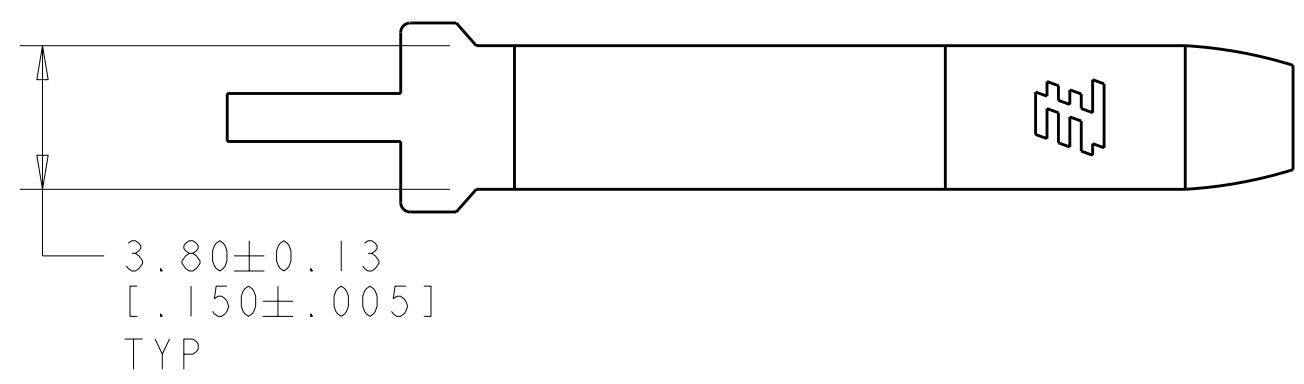
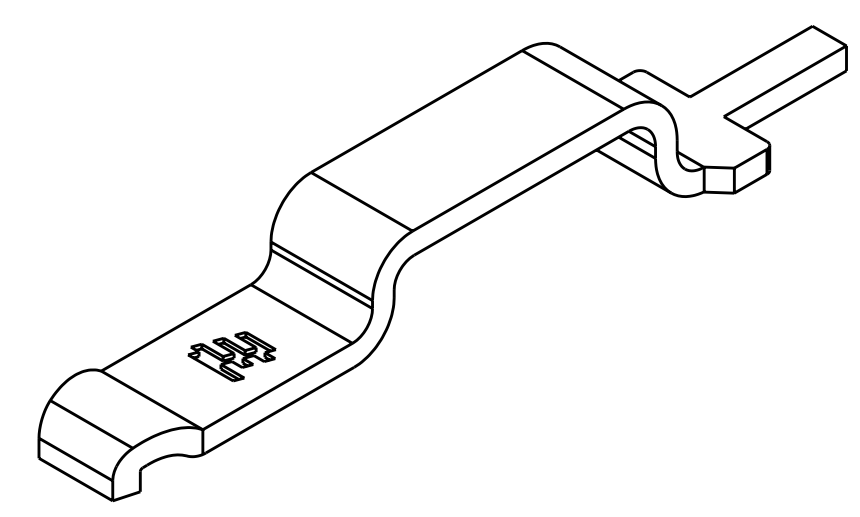
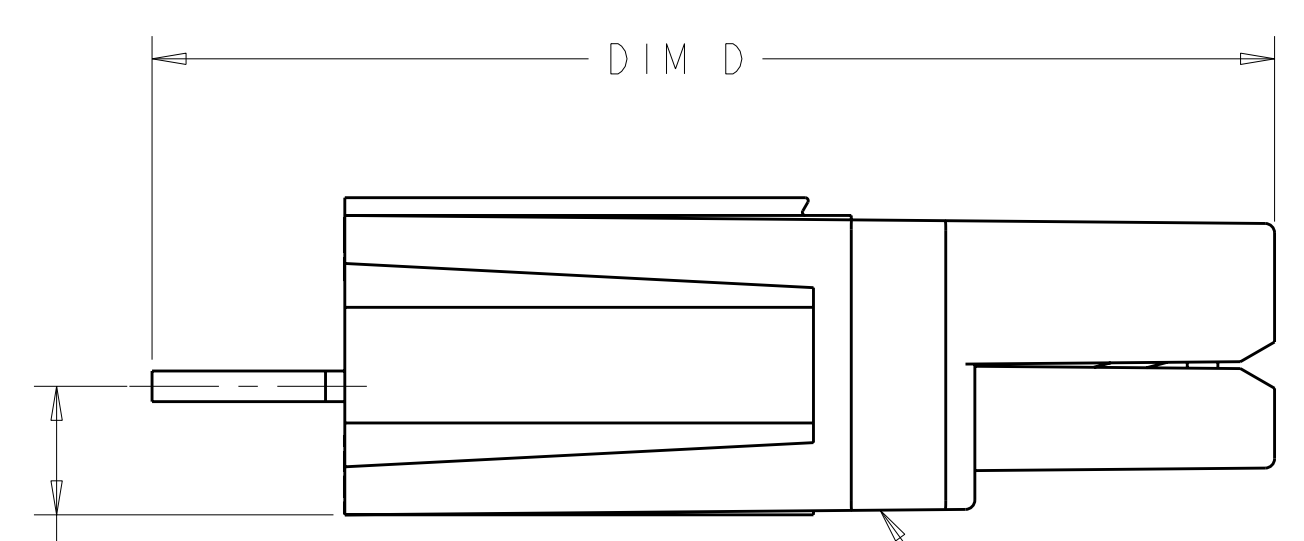
Tel: +86-755-8981 8866 Fax: +86-755-8427 6832

Email & Skype: info@chipsmall.com Web: www.chipsmall.com

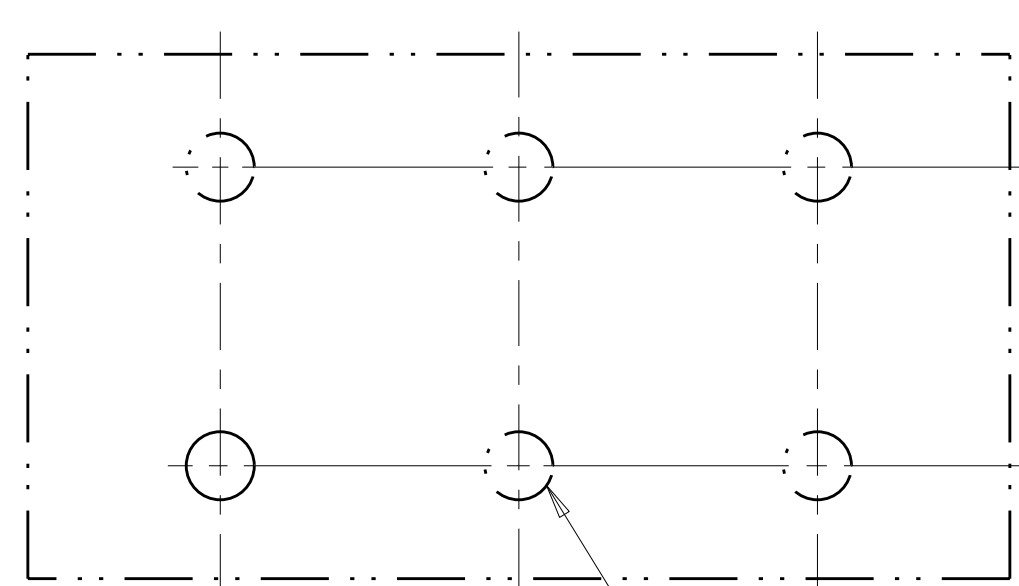
Address: A1208, Overseas Decoration Building, #122 Zhenhua RD., Futian, Shenzhen, China



| LOC | DIST | REV | DATE | BY | APPD |
|-----|------|-----|-----------|----|------|
| CM | 00 | A | 27SEP2011 | KH | DY |



HOUSINGS 1445957, STACKED VERTICALLY (NOT INCLUDED)



TO BE DETERMINED BY CUSTOMER PER APPLICATION

EXPAND AS NECESSARY PER APPLICATION

7.90 [0.311]

RECOMMENDED BOARD LAYOUT

| | | | | | |
|----------------|---------------|---------------|---------------|---------------|-------------|
| 437.32 [0.678] | 0.00 [0.000] | 38.60 [1.520] | 17.80 [0.701] | 36.80 [1.449] | 1-1744128-2 |
| 380.24 [0.589] | 0.00 [0.000] | 34.50 [1.358] | 10.20 [0.402] | 33.00 [1.299] | 1-1744128-1 |
| 395.93 [0.614] | 56.40 [2.220] | 56.40 [2.220] | 0.00 [0.000] | 54.90 [2.161] | 1744128-3 |
| 347.26 [0.538] | 44.70 [1.760] | 44.70 [1.760] | 0.00 [0.000] | 43.20 [1.701] | 1744128-2 |
| 285.50 [0.443] | 29.70 [1.169] | 29.70 [1.169] | 0.00 [0.000] | 28.20 [1.110] | 1744128-1 |
| SURFACE AREA | DIM D | DIM C | DIM B | DIM A | PART NUMBER |



THIS DRAWING IS A CONTROLLED DOCUMENT.

DIMENSIONS: mm [INCHES]
 TOLERANCES UNLESS OTHERWISE SPECIFIED:
 9 PLC ±0.51 [0.020]
 2 PLC ±0.13 [0.005]
 5 PLC ±0.13 [0.005]
 4 PLC ±0.13 [0.005]
 ANGLES ±0°

MATERIAL: COPPER
 FINISH: BRIGHT TIN

DWN: R. WHITAKER 29JUL2008
 CHK: D. BOSSI 29JUL2008
 APVD: D. BOSSI 29JUL2008

STE TE Connectivity
 PCB CONTACT, 25 AMP, POWER SERIES

SIZE: A100779
 CAGE CODE: C=1744128
 DRAWING NO: 1744128-2
 SHEET 1 OF 1
 SCALE: 5:1
 REV: A