



Chipsmall Limited consists of a professional team with an average of over 10 year of expertise in the distribution of electronic components. Based in Hongkong, we have already established firm and mutual-benefit business relationships with customers from,Europe,America and south Asia,supplying obsolete and hard-to-find components to meet their specific needs.

With the principle of "Quality Parts,Customers Priority,Honest Operation,and Considerate Service",our business mainly focus on the distribution of electronic components. Line cards we deal with include Microchip,ALPS,ROHM,Xilinx,Pulse,ON,Everlight and Freescale. Main products comprise IC,Modules,Potentiometer,IC Socket,Relay,Connector.Our parts cover such applications as commercial,industrial, and automotives areas.

We are looking forward to setting up business relationship with you and hope to provide you with the best service and solution. Let us make a better world for our industry!



## Contact us

Tel: +86-755-8981 8866 Fax: +86-755-8427 6832

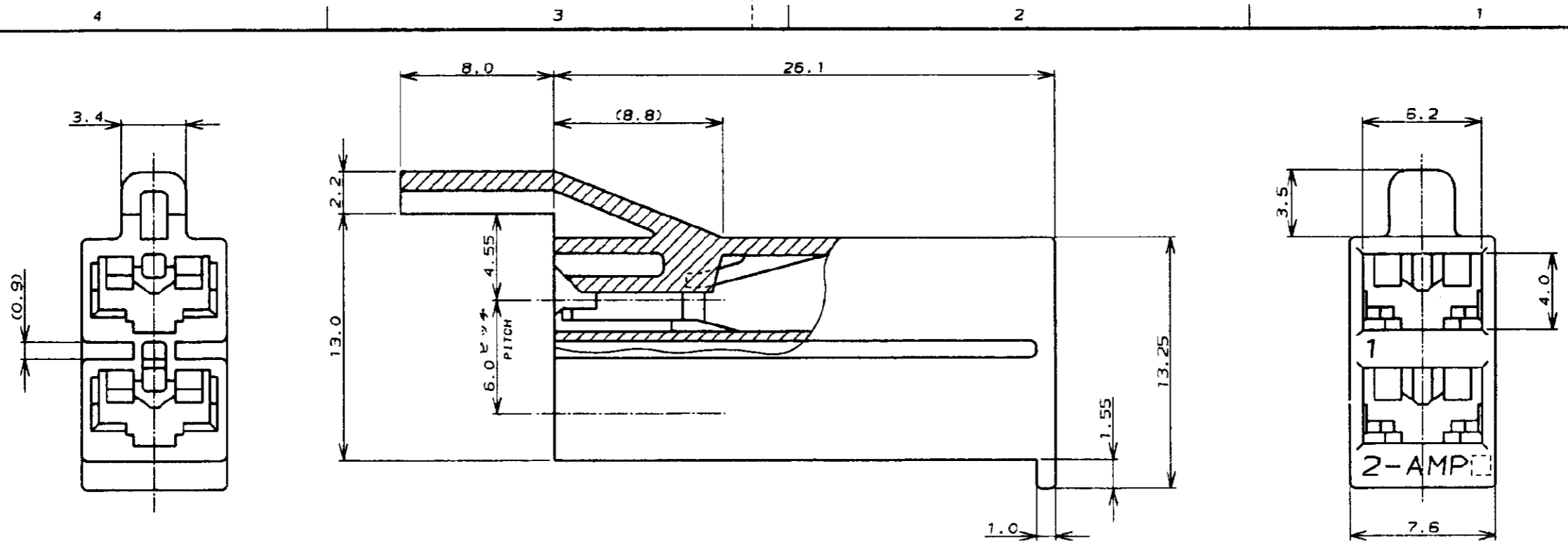
Email & Skype: info@chipsmall.com Web: www.chipsmall.com

Address: A1208, Overseas Decoration Building, #122 Zhenhua RD., Futian, Shenzhen, China



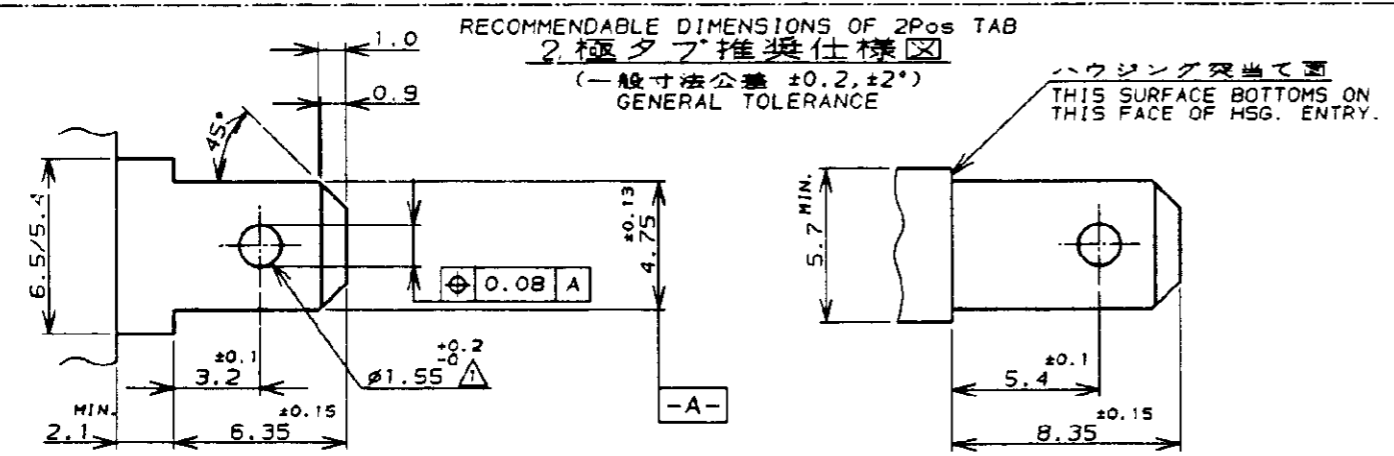
NUMBER C-174587  
METRIC

PRINT DIST  
単位/ DIMENSIONS IN MM. DO NOT SCALE PRINT



RECOMMENDABLE DIMENSIONS OF 2Pos TAB  
2極タブ推奨仕様図

(一般寸法公差 ±0.2, ±2°)  
GENERAL TOLERANCE



(A) : タブショルダーを突当てとする場合  
SHOULDERED TYPE TAB

(B) : 部品樹脂部を突当てとする場合  
MOLD TYPE TAB

- 注記:
- △1 タブ穴はバリがなく、穴縁部のダレは 0.08 以下であること。
  - 2. タイプ (B) 仕様図の指示なき寸法部はタイプ (A) と共通とする。
- NOTES:
- △1 NO BURRS ARE ALLOWED ON THE TAB HOLE EDGES, AND THE SHEAR DROOP SHALL NOT EXCEED 0.08mm.
  - 2. FOR THE DIMENSION NOT SHOWN IN TYPE (B) TAB DWG. APPLY THE COMMON DIMENSION SHOWN IN TYP (A) TAB DWG.

注記:

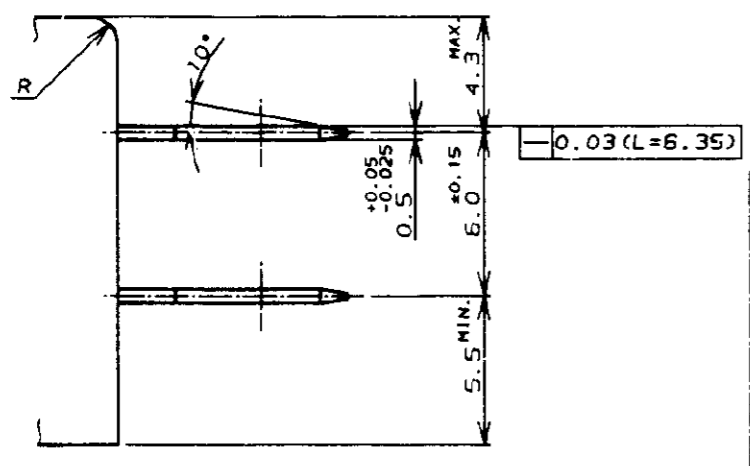
1. 通用製品規格 : 108-5126
2. 通用コンタクト製品番号 : 170324-1, 170325-1, 170326-1
3. 本コネクタは、左図に示す仕様の2極タブに適合する。
- △4 材料 : 6/6 ナイロン (UL94V-0)
- △5 材料 : 6/6 ナイロン (UL94V-2)

NOTES:

1. PRODUCT SPEC , 108-5126
2. APPLIED CONTACT P/N ; 170324-1, 170325-1, 170326-1
3. THIS CONNECTOR APPLIED FOR 2Pos. TAB. (SEE DETAIL)
- △4 MATERIAL ; 6/6 NYLON (UL94V-0)
- △5 MATERIAL ; 6/6 NYLON (UL94V-2)
- △6 OBSOLETE PARTS: OBSOLETE CIS STREAMLINING PER D.RENAUD/D.SINISI

△	赤 (RED)	1-174587-7
△	青 (BLUE)	1-174587-6
△	緑 (GREEN)	1-174587-5
△	黄 (YELLOW)	1-174587-4
△	自然色 (NATURAL)	1-174587-1
△	黄 (YELLOW)	1-174587-4
△	自然色 (NATURAL)	174587-1
備考 (REMARK)	色 (COLOR)	型番 (P/N)

△6 OBSOLETE



Copyright ©1987年 AMP (Japan) LTD. ALL RIGHTS RESERVED.		Copyright ©1987 AMP (Japan) LTD. ALL RIGHTS RESERVED.		AMP 日本エー・エム・ピー株式会社 Tokyo, Japan	
適合電線許容範囲 (WIRE RANGE)	電線外径 (INSULATION DIA.)	名称 (NAME)			
mm <sup>2</sup> (AWG - )	mmφ	187 SERIES POSITIVE LOCK (MA- [ ] ) 2Pos. HSG. 187 シリーズ ポジティブロック (マーク) 2極 ハウジング 極性ガイド付			
材料 (MATERIAL)	仕上 (FINISH)	一般公差 (GENERAL TOLERANCE)			
注参照 △△ SEE NOTES		10mmφ : ±0.2 15mmφ & 30mmφ : ±0.25 30mmφ & 100mmφ : ±0.3 φ : ±3°			
C2 REVISED PER ECO-10-000444	KK AEGJAN10	DR. 19 DEC '94	DE. 19 DEC '94	LOC B J	番号 (No.) C-174587
C1 REDRAWN W/O CHANGE FJOC-1704-94	DR. 19 DEC '94	CHK. 19 DEC '94	APP. 19 DEC '94	尺度 (SCALE) 4-1	REV. C2 SHEET 1 OF 1
変更 (REVISION RECORD)	DR	CHK	DATE		