



Chipsmall Limited consists of a professional team with an average of over 10 year of expertise in the distribution of electronic components. Based in Hongkong, we have already established firm and mutual-benefit business relationships with customers from,Europe,America and south Asia,supplying obsolete and hard-to-find components to meet their specific needs.

With the principle of “Quality Parts,Customers Priority,Honest Operation,and Considerate Service”,our business mainly focus on the distribution of electronic components. Line cards we deal with include Microchip,ALPS,ROHM,Xilinx,Pulse,ON,Everlight and Freescale. Main products comprise IC,Modules,Potentiometer,IC Socket,Relay,Connector.Our parts cover such applications as commercial,industrial, and automotives areas.

We are looking forward to setting up business relationship with you and hope to provide you with the best service and solution. Let us make a better world for our industry!



## Contact us

Tel: +86-755-8981 8866 Fax: +86-755-8427 6832

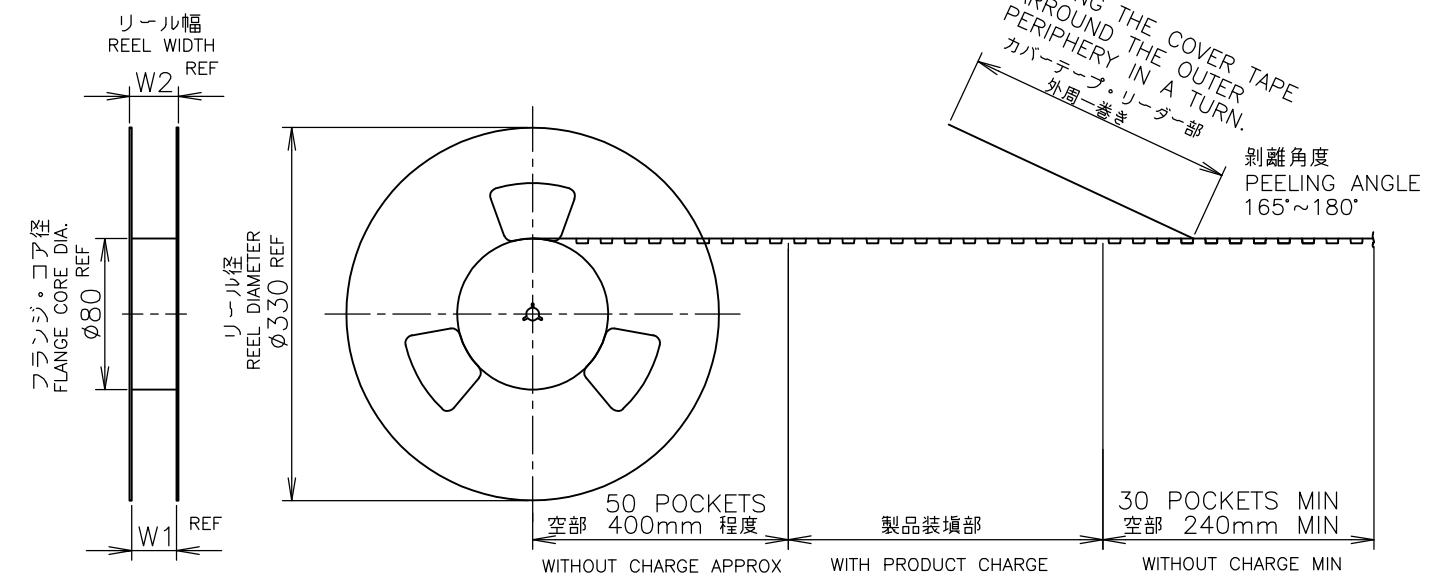
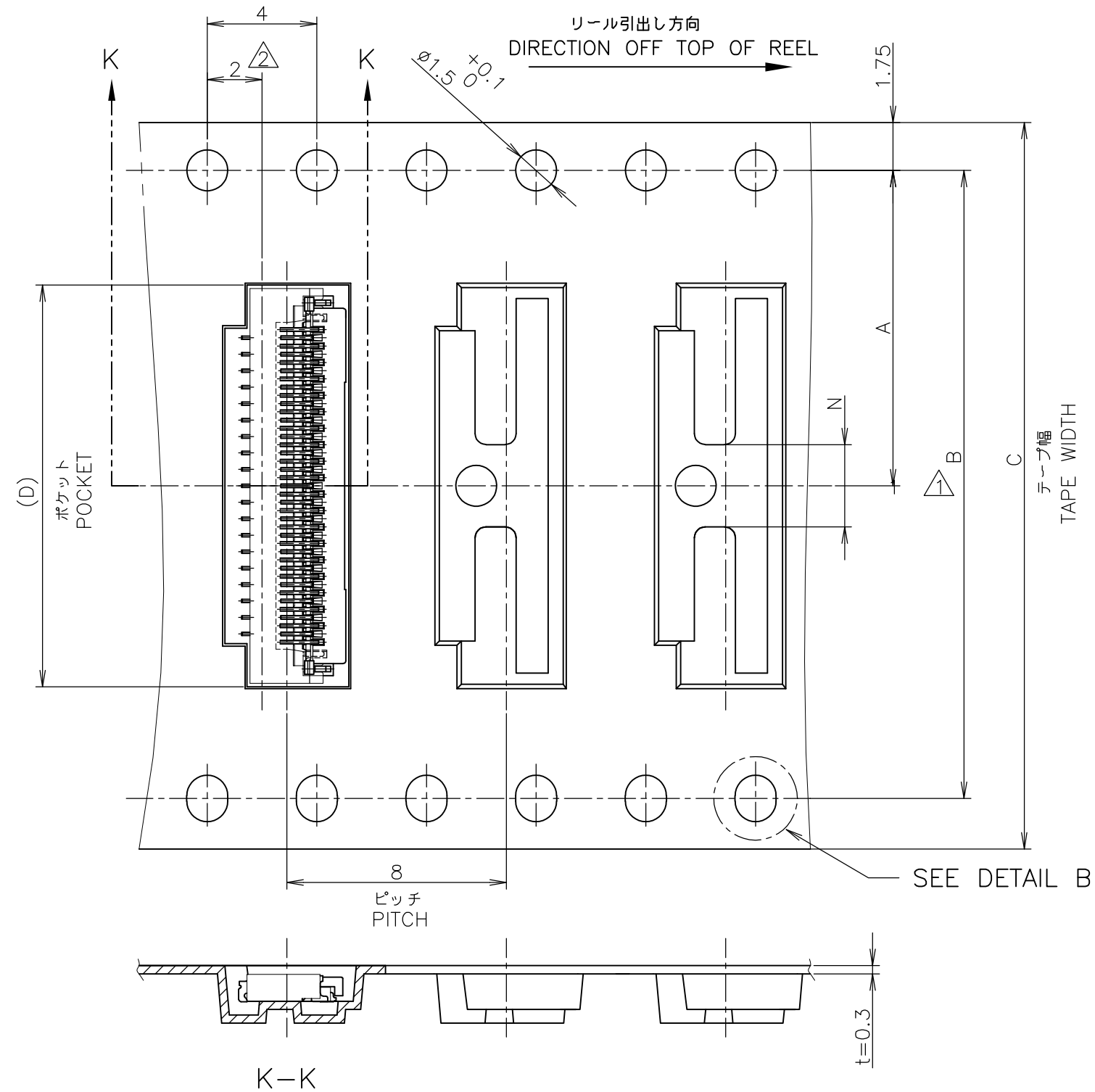
Email & Skype: info@chipsmall.com Web: www.chipsmall.com

Address: A1208, Overseas Decoration Building, #122 Zhenhua RD., Futian, Shenzhen, China

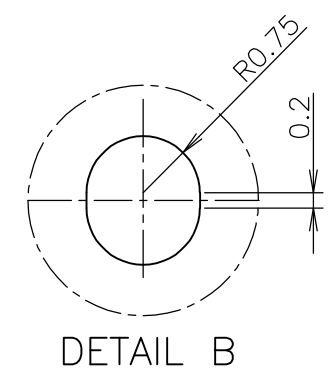


THIS DRAWING IS UNPUBLISHED. RELEASED FOR PUBLICATION MAR, 2004.  
 © COPYRIGHT 2004 BY TYCO ELECTRONICS CORPORATION. ALL RIGHTS RESERVED.

LOC	DIST	REVISIONS					
J	/	P	LTR	DESCRIPTION	DATE	DWN	APVD
		C		REVISED ECR-07-029671	10DEC07	T.T	T.K

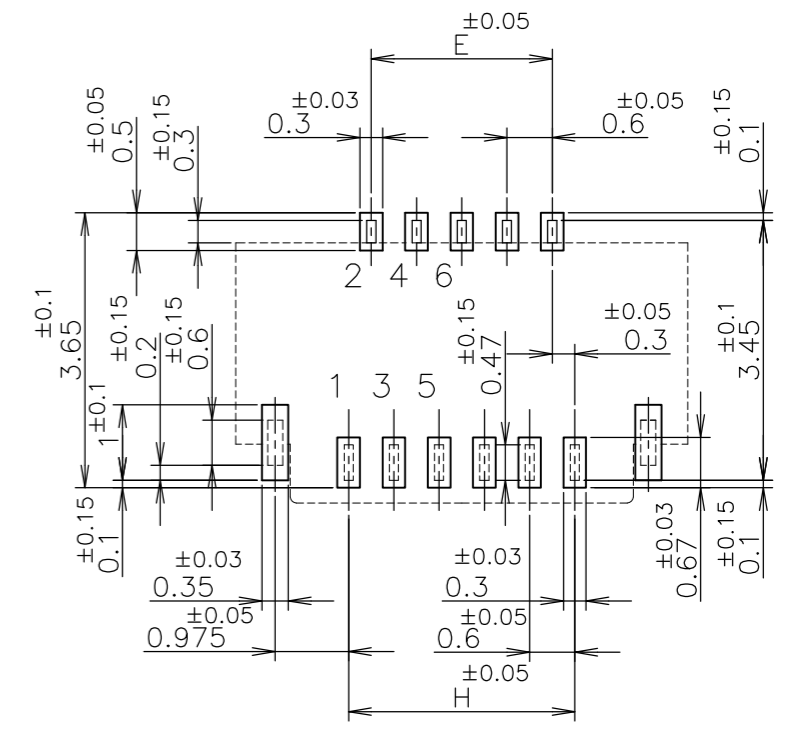
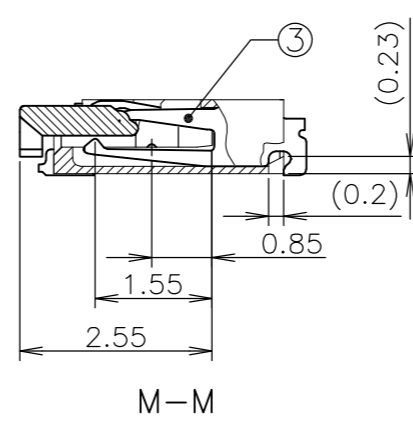
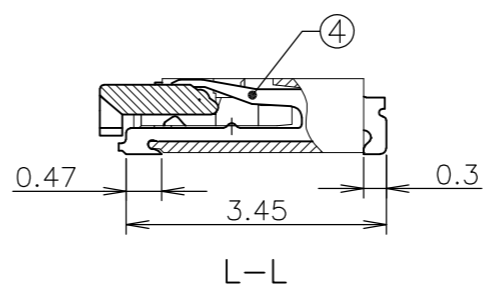
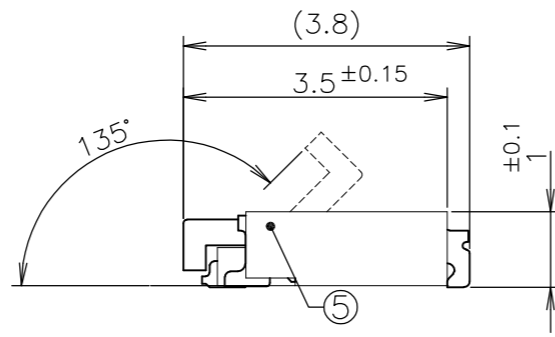
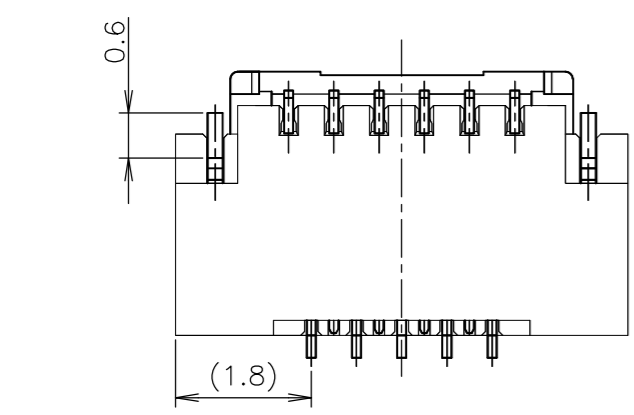
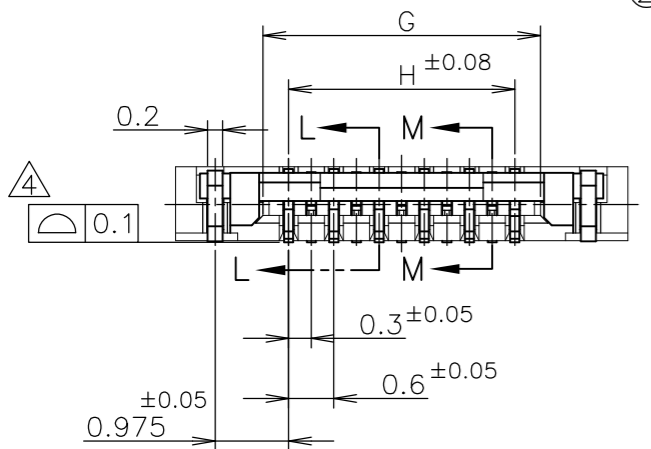
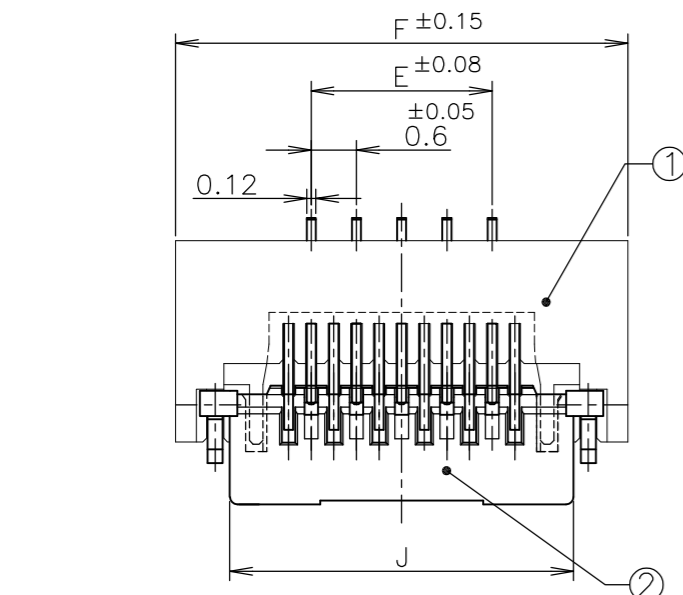


- ① B寸法はテープ幅 32mm 以上に適用
- ② コネクタ吸着面のセンターライン
- ① DIM. B APPLIED TAPE WIDE, 32mm MORE.
- ② CENTER LINE OF CONNECTOR ADSORPTION SURFACE.



THIS DRAWING IS A CONTROLLED DOCUMENT.		DWN Y.SHINO 11NOV05	Tyco Electronics Tyco Electronics AMP K.K. Kawasaki, Japan	
DIMENSIONS: 単位: 耗 mm		CHK M.IWASAKI 11NOV05	NAME 名称	
TOLERANCES UNLESS OTHERWISE SPECIFIED: 一般公差		APVD T.KUSUHARA 11NOV05	0.3mm FPC CONNECTOR FLIP LOCK TYPE, HEIGHT 1.0mm GOLD PLATE VERSION	
0 PLC ± 0.3		PRODUCT SPEC 製品規格 108-5944	SIZE A3	CAGE CODE 00779
1 PLC ± 0.3		APPLICATION SPEC 取付適用規格	DRAWING NO 番号 G-1746237	RESTRICTED TO
2 PLC ± 0.3		WEIGHT	SCALE 尺度 NTS SHEET 1 OF 3 REV C	
3 PLC ± 0.3		CUSTOMER DRAWING		
4 PLC ± 0.3				
ANGLES ± 5°				
FINISH 仕上				
MATERIAL 材料				

LOC	DIST	REVISIONS		
J		変更		
P	LTR	DESCRIPTION	DATE	DWN
		SEE SHEET 1	-	-



参考基板レイアウト  
(コネクタ搭載面)  
REFERENCE PWB LAYOUT  
(CONN. MOUNTING SIDE)  
(SCALE 10:1)

③ 一般公差  
 10以下: ±0.2    10 ≥: ±0.2  
 10を越え 30以下: ±0.25    30 ≥ >10: ±0.25  
 30を越え 100以下: ±0.3    100 ≥ >30: ±0.3  
 角 度: ±3°    ANGLES: ±3°

④ コプラナリティ 0.1MAX.    ④ COPLANARITY 0.1MAX.

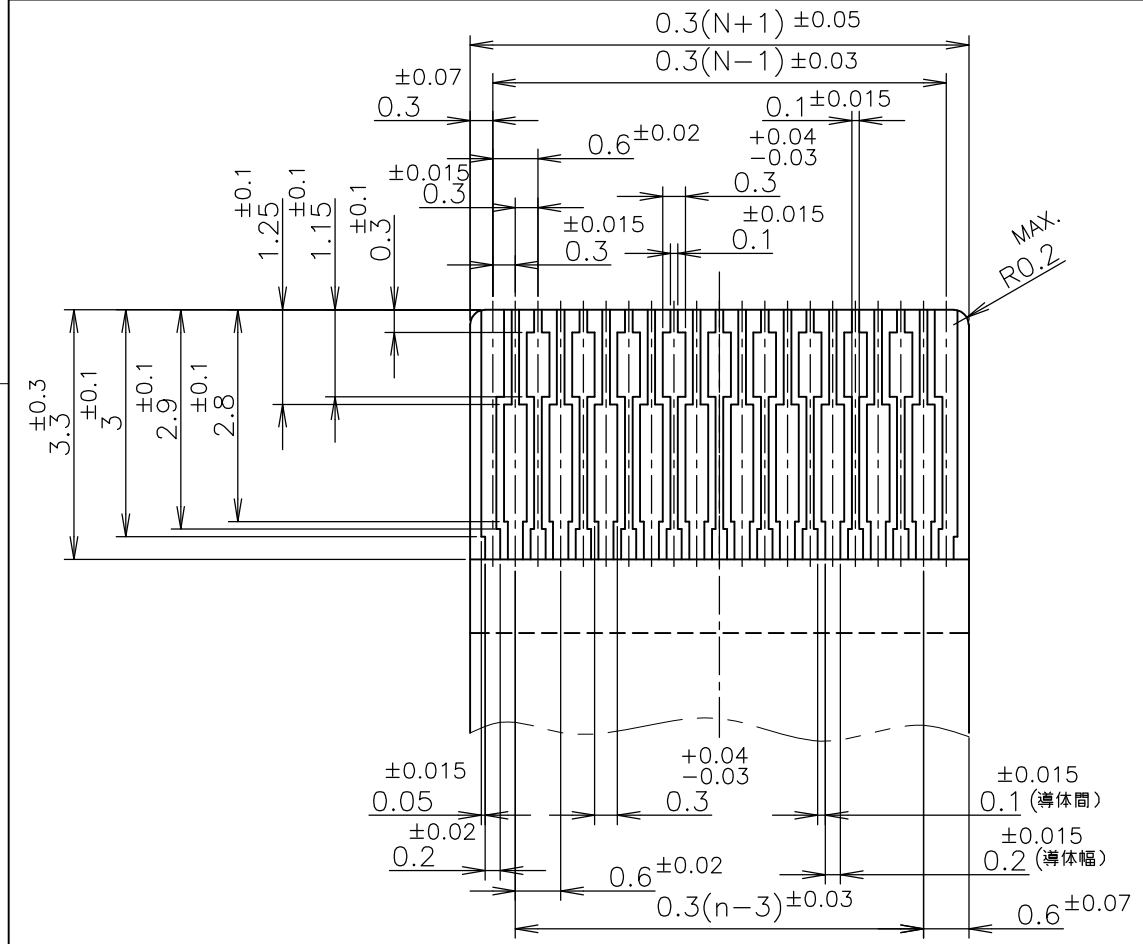
Ni下地めっき Ni UNDER PLATING	Snめっき Sn PLATING	銅合金 COPPER ALLOY	ソルダーペグ SOLDER PEG	⑤
Ni下地めっき Ni UNDER PLATING	Auめっき Au PLATING	銅合金 COPPER ALLOY	コンタクト2 CONTACT 2	④
Ni下地めっき Ni UNDER PLATING	Auめっき Au PLATING	銅合金 COPPER ALLOY	コンタクト1 CONTACT 1	③
色 : 黒色 COLOR : BLACK		THERMO PLASTIC	アクチュエーター ACTUATOR	②
色 : 乳白色 COLOR : BEIGE		THERMO PLASTIC	ハウジング HOUSING	①
FINISH		MATERIAL	NAME	

PARTS LIST

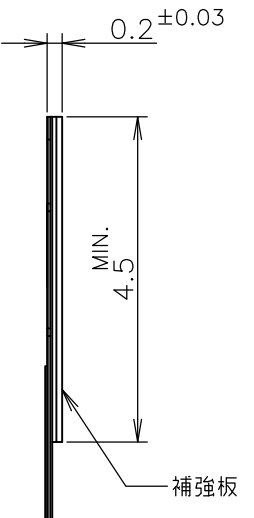
THIS DRAWING IS A CONTROLLED DOCUMENT.		DWN	Tyco Electronics		Tyco Electronics AMP K.K. Kawasaki, Japan	
DIMENSIONS: 単位: 耗 mm		CHK	NAME 名称			
TOLERANCES UNLESS OTHERWISE SPECIFIED: 一般公差		APVD	0.3mm FPC CONNECTOR FLIP LOCK TYPE, HEIGHT 1.0mm GOLD PLATE VERSION			
0 PLC ±		PRODUCT SPEC 製品規格	SIZE	CAGE CODE	DRAWING NO 番号	RESTRICTED TO
1 PLC ±		APPLICATION SPEC 取付適用規格	A3	00779	G-1746237	-
2 PLC ±		WEIGHT	CUSTOMER DRAWING			
3 PLC ±			SCALE 尺度	NTS	SHEET 2 OF 3	REV C
4 PLC ±						
ANGLES ±						
FINISH 仕上						

THIS DRAWING IS UNPUBLISHED. RELEASED FOR PUBLICATION MAR ,2004.  
 © COPYRIGHT 2004 BY TYCO ELECTRONICS CORPORATION. ALL RIGHTS RESERVED.

LOC	DIST	REVISIONS		
		P	LTR	DESCRIPTION
J	/	-	-	SEE SHEET 1
		DATE	DWN	APVD
		-	-	-



参考FPCレイアウト  
 REFERENCE LAYOUT  
 (SCALE 10:1)



NOT AVAILABLE	-	39.5	33.5	16.55	15	15.68	18	14.4	18.25	32	28.4	14.2	4000	51	2-1746237-1
AVAILABLE	-	30.4	25.5	14.75	13.2	13.88	16.2	12.6	16.45	24	/	11.5	4000	45	1-1746237-8
AVAILABLE	2.5	30.4	25.5	12.95	11.4	12.08	14.4	10.8	14.65	24	/	11.5	4000	39	1-1746237-5
NOT AVAILABLE	-	30.4	25.5	12.35	10.8	11.48	13.8	10.2	14.05	24	/	11.5	4000	37	1-1746237-4
AVAILABLE	2.5	30.4	25.5	11.75	10.2	10.88	13.2	9.6	13.45	24	/	11.5	4000	35	1-1746237-3
AVAILABLE	3	30.4	25.5	11.15	9.6	10.28	12.6	9	12.85	24	/	11.5	4000	33	1-1746237-2
NOT AVAILABLE	-	30.4	25.5	10.55	9	9.68	12	8.4	12.25	24	/	11.5	4000	31	1-1746237-1
AVAILABLE	-	30.4	25.5	9.95	8.4	9.08	11.4	7.8	11.65	24	/	11.5	4000	29	1-1746237-0
AVAILABLE	2.5	30.4	25.5	9.35	7.8	8.48	10.8	7.2	11.05	24	/	11.5	4000	27	1746237-9
NOT AVAILABLE	-	23.5	17.5	8.75	7.2	7.88	10.2	6.6	10.45	16	/	7.5	4000	25	1746237-8
AVAILABLE	3	23.5	17.5	8.15	6.6	7.28	9.6	6	9.85	16	/	7.5	4000	23	1746237-7
NOT AVAILABLE	-	23.5	17.5	7.55	6	6.68	9	5.4	9.25	16	/	7.5	4000	21	1746237-6
NOT AVAILABLE	-	23.5	17.5	6.95	5.4	6.08	8.4	4.8	8.65	16	/	7.5	4000	19	1746237-5
NOT AVAILABLE	-	23.5	17.5	6.35	4.8	5.48	7.8	4.2	8.05	16	/	7.5	4000	17	1746237-4
NOT AVAILABLE	-	19.5	13.5	5.75	4.2	4.88	7.2	3.6	7.45	12	/	5.5	4000	15	1746237-3
NOT AVAILABLE	-	19.5	13.5	5.15	3.6	4.28	6.6	3	6.85	12	/	5.5	4000	13	1746237-2
NOT AVAILABLE	-	19.5	13.5	4.55	3	3.68	6	2.4	6.25	12	/	5.5	4000	11	1746237-1
TOOLING STATUS	N	W2	W1	J	H	G	F	E	D	C	B	A	数量(ヶ)	POS.	PART NUMBER
	DIMENSIONS												QTY/REEL		

THIS DRAWING IS A CONTROLLED DOCUMENT.		DWN	Tyco Electronics AMP K.K. Kawasaki, Japan		
DIMENSIONS: 単位: 耗 mm		CHK	NAME 名称		
TOLERANCES UNLESS OTHERWISE SPECIFIED: 一般公差		APVD	0.3mm FPC CONNECTOR FLIP LOCK TYPE, HEIGHT 1.0mm GOLD PLATE VERSION		
0 PLC ±		PRODUCT SPEC 製品規格	SIZE	CAGE CODE	DRAWING NO 番号
1 PLC ±		APPLICATION SPEC 取付適用規格	A3	00779	G-1746237
2 PLC ±		WEIGHT	RESTRICTED TO		
3 PLC ±			CUSTOMER DRAWING		
4 PLC ±			SCALE 尺度	SHEET 3 OF 3	REV C
ANGLES ±					
FINISH 仕上					
MATERIAL 材料					