



Chipsmall Limited consists of a professional team with an average of over 10 year of expertise in the distribution of electronic components. Based in Hongkong, we have already established firm and mutual-benefit business relationships with customers from,Europe,America and south Asia,supplying obsolete and hard-to-find components to meet their specific needs.

With the principle of “Quality Parts,Customers Priority,Honest Operation,and Considerate Service”,our business mainly focus on the distribution of electronic components. Line cards we deal with include Microchip,ALPS,ROHM,Xilinx,Pulse,ON,Everlight and Freescale. Main products comprise IC,Modules,Potentiometer,IC Socket,Relay,Connector.Our parts cover such applications as commercial,industrial, and automotives areas.

We are looking forward to setting up business relationship with you and hope to provide you with the best service and solution. Let us make a better world for our industry!



Contact us

Tel: +86-755-8981 8866 Fax: +86-755-8427 6832

Email & Skype: info@chipsmall.com Web: www.chipsmall.com

Address: A1208, Overseas Decoration Building, #122 Zhenhua RD., Futian, Shenzhen, China



4

3

2

1

THIS DRAWING IS UNPUBLISHED. RELEASED FOR PUBLICATION AUG '18 .
 © COPYRIGHT 2004 BY TYCO ELECTRONICS CORPORATION. ALL RIGHTS RESERVED.

LOC	DIST	REVISIONS					
		P	LTR	DESCRIPTION	DATE	DWN	APVD
J	-	L1		REVISED PER ECR-10-020322	08OCT10	HMR	TM

VACUUM PICK UP AREA

322.6

315

39.28

246.72

29

61.68

135.9

65.45

37.52

Ø25

912109-4

REMOVE

REMOVE

3X45°

OPEN WINDOW (8 PLC)

CLOSED (2 PLC)

>ABSC<

TRAY TYPE A

TRAY TYPE B

1.5

11.9

5.8

11.9

(SCALE 2:1)

1. MATERIAL

① HOUSING : HIGH TEMP, THERMO-PLASTIC, UL94V-0, BLACK

② CONTACT : COPPER ALLOY
 FINISH : Au PL. AT CONTACT AREA ON OVERALL OVER Ni UNDER PL. 0.00127 MIN.

③ SOLDER BALL : Sn(63WT%)/Pb FOR LEADED, Sn/Ag/Cu FOR LEAD FREE PRODUCT.

④ STIFFENER PLATE : STEEL

⑤ LOAD PLATE : STEEL

⑥ LEVER : STAINLESS STEEL

⑦ CAP : HIGH TEMP. THERMO-PLASTIC, UL94V-0, BLACK

⚠ INDICATED PRODUCT NAME "LGA771" TO LEADED SOLDER BALL PRODUCT,
 "LF-LGA771" TO LEAD FREE SOLDER BALL PRODUCT ON THE STIFFENER PLATE.

⚠ INDICATED DATE CODE ON THE STIFFENER PLATE.

⚠ THE CIRCLE SHOWS THE CENTER OF GRAVITY OF ASSEMBLY.

⚠ MINIMUM OPEN ANGLE TO RELEASE.

⚠ ALLOWABLE OPEN ANGLE.
 DON'T OPEN LOAD PLATE WITH FORCE FROM OPEN END.

1.6

1.5

(13.4)

B-B (SCALE 2:1)
 (DSL ASS'Y ISN'T SECTIONED)

DESCRIPTION	TRAY COLOR	TRAY TYPE	PART NO.
SUPERSEDED BY 1-1747890-1 LEAD FREE SOLDER BALL	BLUE	B	1-1747890-3
SUPERSEDED BY 1747890-1 LEADED SOLDER BALL	BLACK	B	1747890-3
LEAD FREE SOLDER BALL (0.76um GOLD)	BLUE	B	1-1747890-2
LEADED SOLDER BALL (0.76um GOLD)	BLACK	B	1747890-2
LEAD FREE SOLDER BALL	BLUE	B	1-1747890-1
LEADED SOLDER BALL	BLACK	B	1747890-1

THIS DRAWING IS A CONTROLLED DOCUMENT.		DWN S.HASHIMOTO 18AUG04	Tyco Electronics AMP K.K. Kawasaki, Japan	
DIMENSIONS: MM	TOLERANCES UNLESS OTHERWISE SPECIFIED:	CHK H.SHIRAI 18AUG04	NAME DSL ASSY LGA771	
APVD H.SHIRAI 18AUG04	±0.5	PRODUCT SPEC	108-78257	
		APPLICATION SPEC	114-5374	
MATERIAL SEE NOTE	FINISH SEE NOTE	WEIGHT 38.8 g	SIZE A2	CAGE CODE 00779
CUSTOMER DRAWING		SCALE 1:1	DRAWING NO C=1747890	RESTRICTED TO -
			SHEET 1 OF 3	REV L1

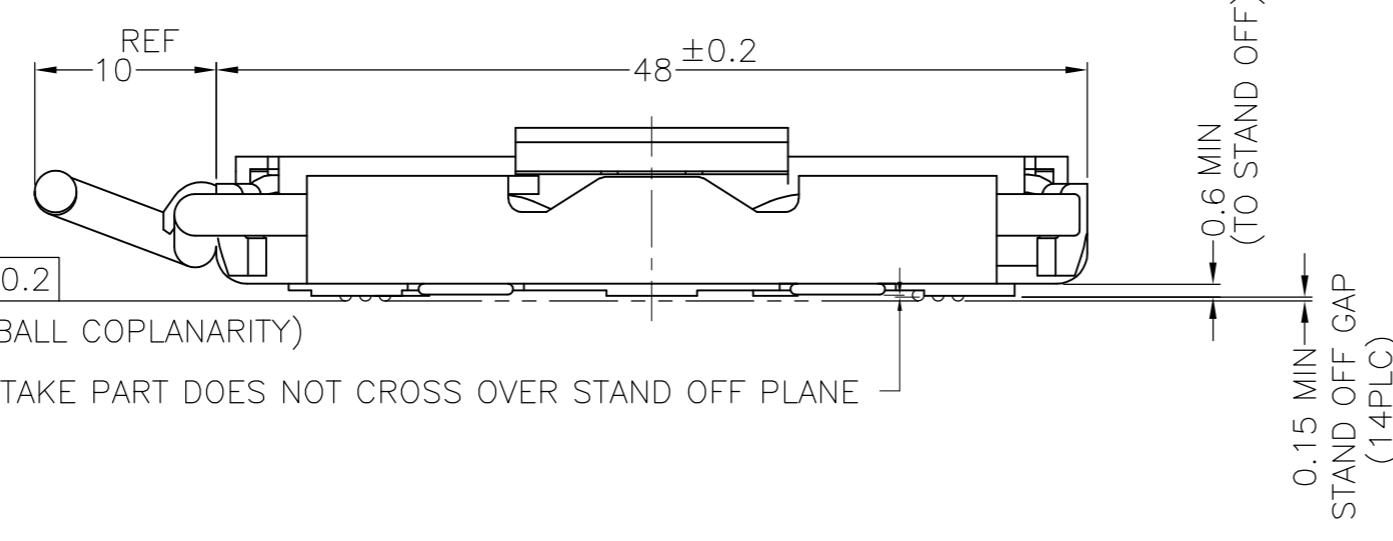
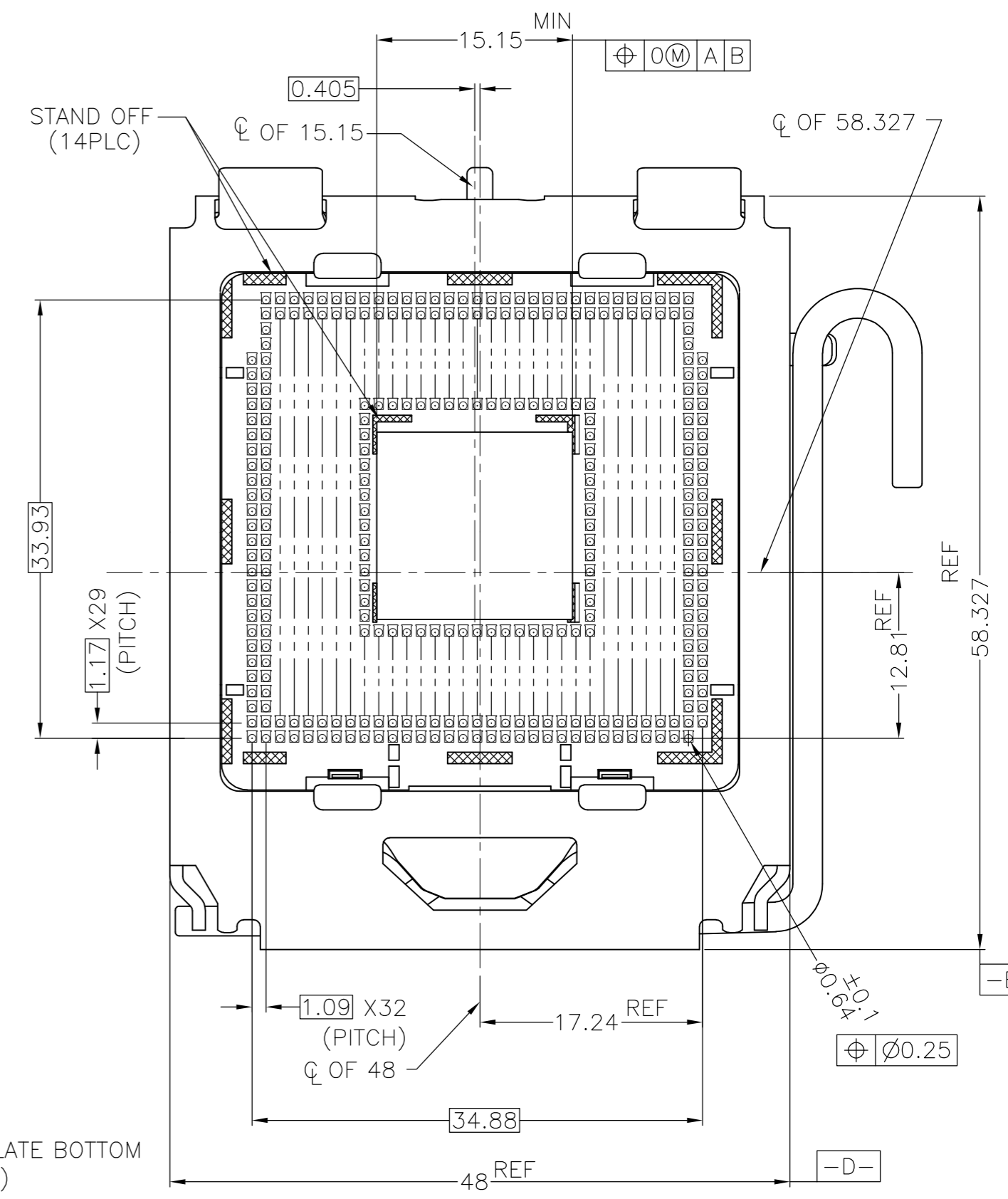
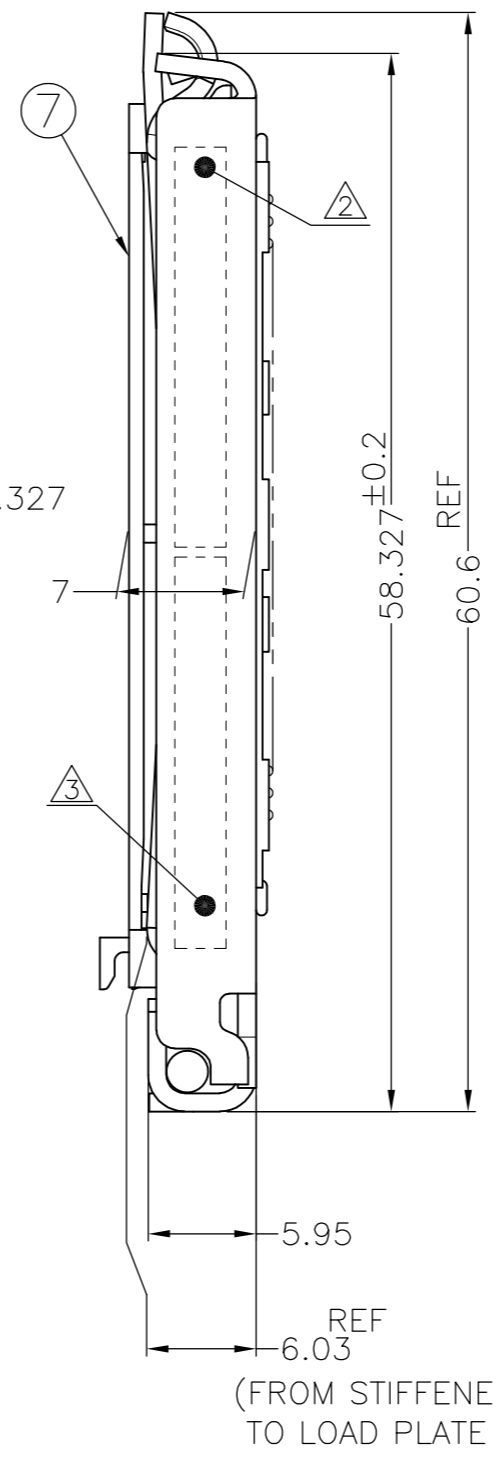
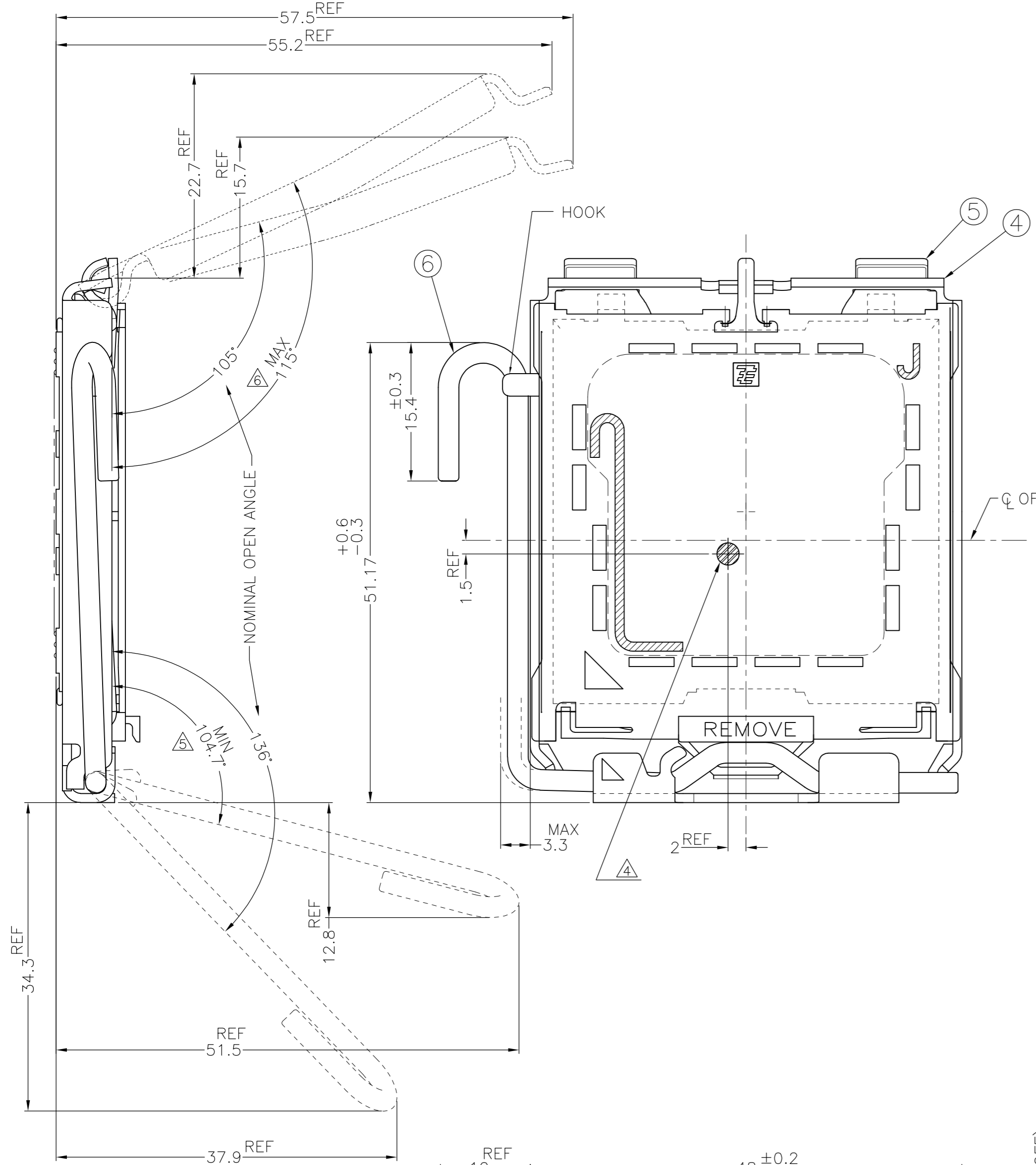
AMP 1471-9 REV 31MAR2000

1747890

A

THIS DRAWING IS UNPUBLISHED. RELEASED FOR PUBLICATION
 © COPYRIGHT BY TYCO ELECTRONICS CORPORATION. ALL RIGHTS RESERVED.

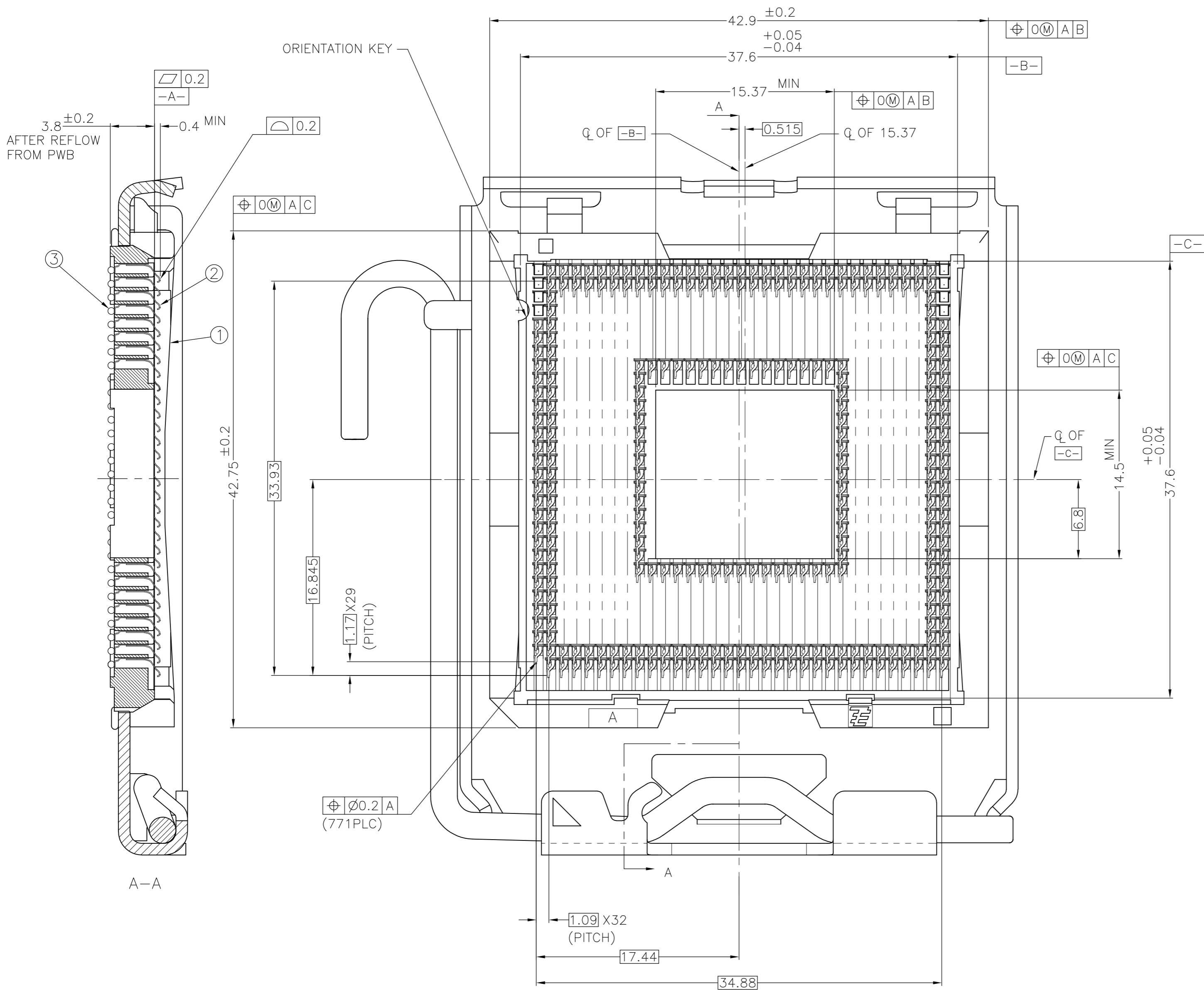
LOC		DIST		REVISIONS			
P	LTR	DESCRIPTION	DATE	DWN	APVD		
-	-	SEE SHEET 1	-	-	-		



(SOLDER BALL COPLANARITY)
 HEAT STAKE PART DOES NOT CROSS OVER STAND OFF PLANE

THIS DRAWING IS A CONTROLLED DOCUMENT.		DWN	Tyco Electronics		Tyco Electronics AMP K.K.	
DIMENSIONS: MM		CHK	NAME		Kawasaki, Japan	
TOLERANCES UNLESS OTHERWISE SPECIFIED:		APVD	DSL ASS'Y		LGA771	
Ø PLC	±0.3	PRODUCT SPEC	SIZE	CAGE CODE	DRAWING NO	RESTRICTED TO
1 PLC	±0.3	APPLICATION SPEC	A2	00779	C=1747890	-
2 PLC	±0.3	WEIGHT	CUSTOMER DRAWING		SCALE	SHEET
3 PLC	±0.3	FINISH			NTS	2 OF 3
4 PLC	±0.3					REV
ANGLES	± 3°					L1

REVISIONS							
LOC	DIST	P	LTR	DESCRIPTION	DATE	DWN	APVD
J	-	-	-	SEE SHEET 1	-	-	-



THESE VIEWS DON'T SHOW LOAD PLATE AND CAP

THIS DRAWING IS A CONTROLLED DOCUMENT.		DWN	Tyco Electronics		Tyco Electronics AMP K.K. Kawasaki, Japan	
DIMENSIONS: MM		CHK	NAME		DSL ASS'Y LGA771	
TOLERANCES UNLESS OTHERWISE SPECIFIED:		APVD	PRODUCT SPEC		SIZE	
Ø PLC ± 0.1		PRODUCT SPEC	APPLICATION SPEC		CAGE CODE	
1 PLC ± 0.1		APPLICATION SPEC	WEIGHT		DRAWING NO	
2 PLC ± 0.1 ± 0.3		WEIGHT	SCALE		RESTRICTED TO	
3 PLC ± 0.1		CUSTOMER DRAWING	NTS		A2 00779 C=1747890	
4 PLC ± 0.1		SCALE	SHEET		REV	
ANGLES ± 3°		CUSTOMER DRAWING		3 OF 3		L1
FINISH		CUSTOMER DRAWING		REV		