



Chipsmall Limited consists of a professional team with an average of over 10 year of expertise in the distribution of electronic components. Based in Hongkong, we have already established firm and mutual-benefit business relationships with customers from,Europe,America and south Asia,supplying obsolete and hard-to-find components to meet their specific needs.

With the principle of “Quality Parts,Customers Priority,Honest Operation,and Considerate Service”,our business mainly focus on the distribution of electronic components. Line cards we deal with include Microchip,ALPS,ROHM,Xilinx,Pulse,ON,Everlight and Freescale. Main products comprise IC,Modules,Potentiometer,IC Socket,Relay,Connector.Our parts cover such applications as commercial,industrial, and automotives areas.

We are looking forward to setting up business relationship with you and hope to provide you with the best service and solution. Let us make a better world for our industry!



Contact us

Tel: +86-755-8981 8866 Fax: +86-755-8427 6832

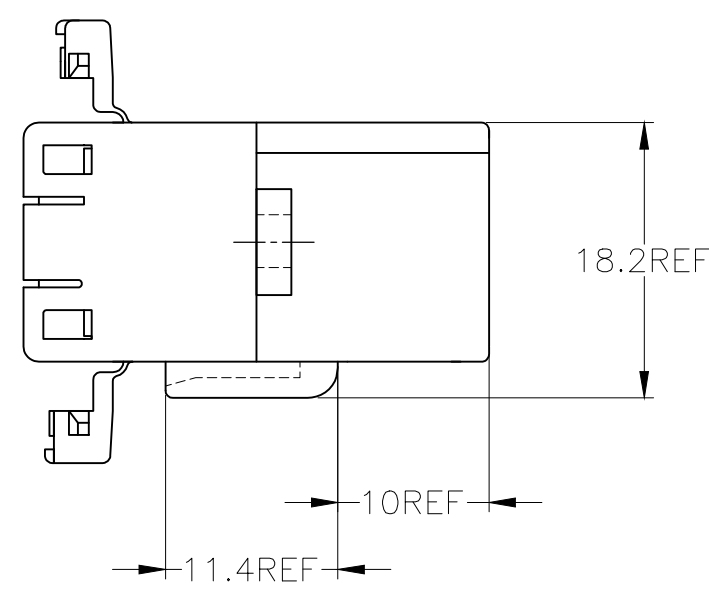
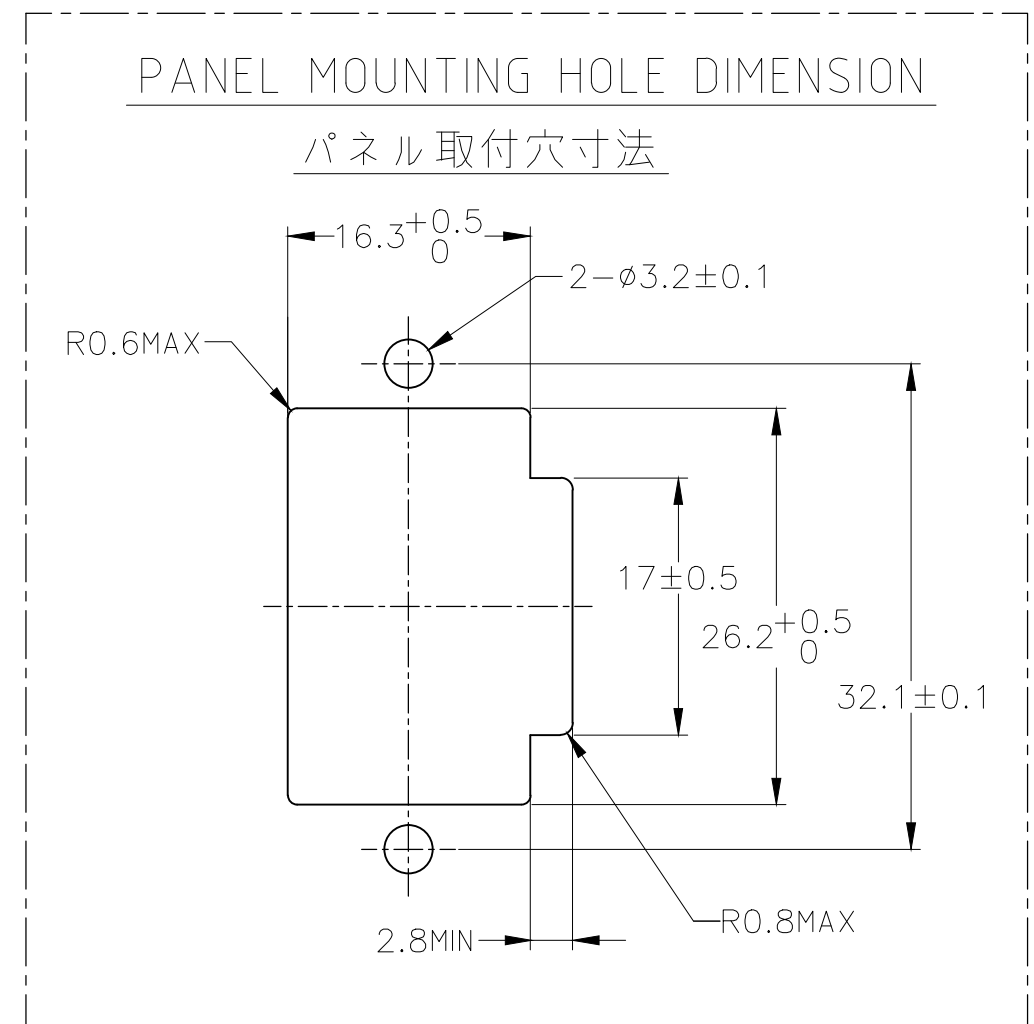
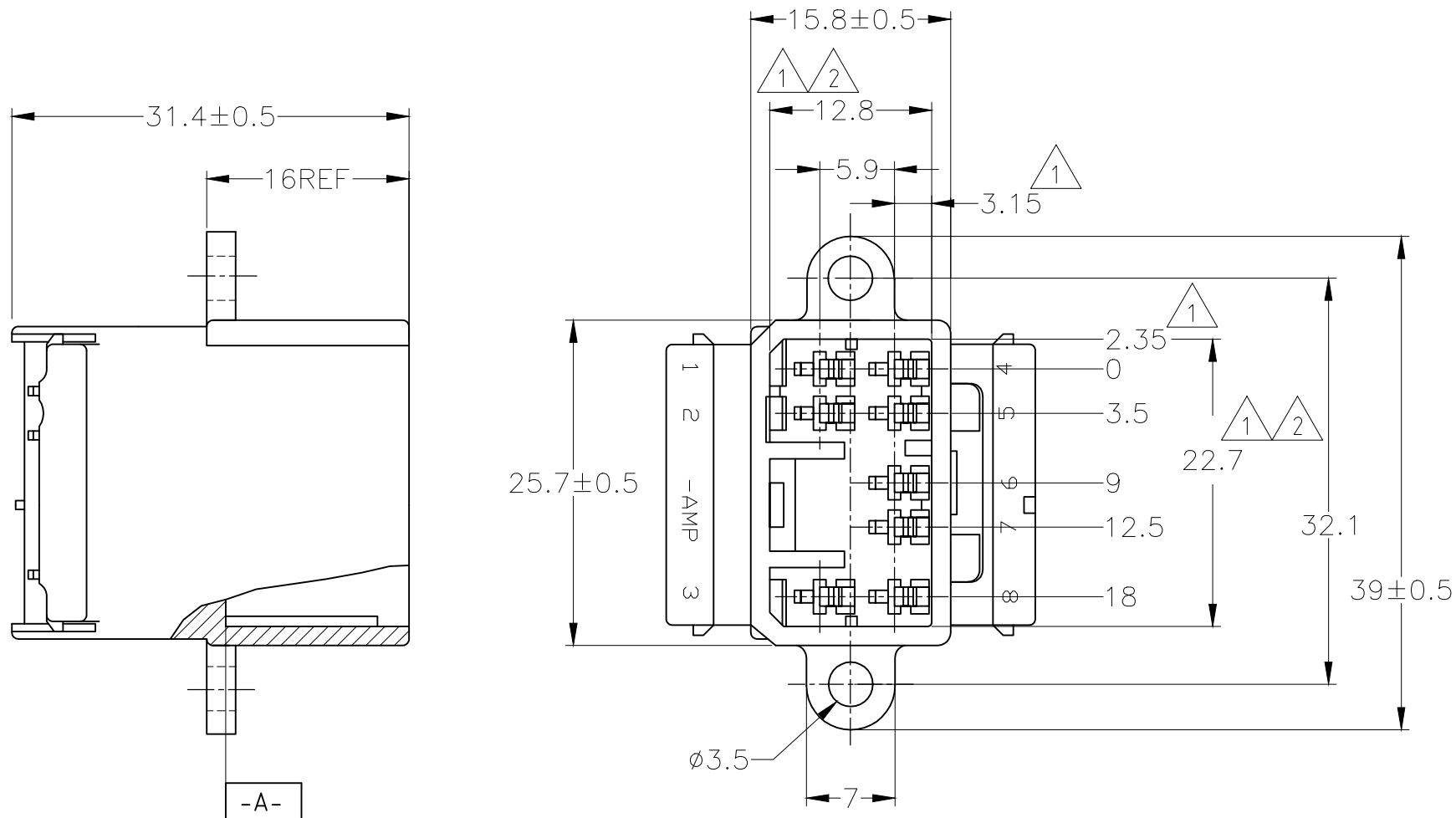
Email & Skype: info@chipsmall.com Web: www.chipsmall.com

Address: A1208, Overseas Decoration Building, #122 Zhenhua RD., Futian, Shenzhen, China



THIS DRAWING IS UNPUBLISHED. RELEASED FOR PUBLICATION
 © COPYRIGHT 2014 Tyco Electronics Japan G.K. ALL RIGHTS RESERVED.

LOC	DIST	REVISIONS					
J	—	P	LTR	DESCRIPTION	DATE	DWN	APVD
		A	REVISED	ECR-14-007658	26MAY14	AY	YS



- ①. [-A-] 面より 2mm の範囲で測定。
 - ②. 相手ハウジングと所定の機能を満足して嵌合できること。
 - ③. 内装するタブコンタクト型番 173633、173645。
 - ④. 嵌合相手ハウジング型番 173850。
- ①. MUST BE KEPT BETWEEN [-A-] AND 2.
 - ②. TO BE MATED WITH THE PLUG HOUSING SMOOTHLY.
 - ③. APPLIED TAB CONTACT PART NUMBER; 173633,173645.
 - ④. APPLIED PLUG HOUSING PART NUMBER; 173850,etc.

V-2	WHITE 白色	8POSITION CAP HOUSING 8極キャップハウジング(フランジ付)	1-174937-1
HB	WHITE 白色	8POSITION CAP HOUSING 8極キャップハウジング(フランジ付)	174937-1
MATERIAL FLAMMABILITY 使用材料の燃焼性	COLOR 色	NAME 名称	PART NUMBER 型番

TOLERANCE UNLESS OTHERWISE SPECIFIED: 一般公差

0 < x ≤ 10	: ±0.2
10 < x ≤ 30	: ±0.25
30 < x ≤ 100	: ±0.3
ANGLE ; 角度	: ±3°

THIS DRAWING IS A CONTROLLED DOCUMENT.

DIMENSIONS: 単位: 概 mm	TOLERANCES UNLESS OTHERWISE SPECIFIED: 一般公差
	0 PLC ± -
	1 PLC ± -
	2 PLC ± -
	3 PLC ± -
	4 PLC ± -
	ANGLES ± -
MATERIAL 材料 PBT	FINISH 仕上 -

DWN S.FUJITA 05MAR08	TE Connectivity		
CHK T.SHINOHARA 05MAR08			
APVD K.BETSUI 05MAR08	NAME 名称		
PRODUCT SPEC 製品規格 108-5264	070 SERIES MULTI-LOCK CONNECTOR 8POSITION CAP HOUSING WITH FLANGE (WIRE to WIRE)		
APPLICATION SPEC 取付適用規格	SIZE A3	CAGE CODE 00779	DRAWING NO 番号 C-174937
WEIGHT 7.5g	RESTRICTED TO —		
CUSTOMER DRAWING	SCALE 尺度 2:1	SHEET 1 OF 1	REV A