



Chipsmall Limited consists of a professional team with an average of over 10 year of expertise in the distribution of electronic components. Based in Hongkong, we have already established firm and mutual-benefit business relationships with customers from,Europe,America and south Asia,supplying obsolete and hard-to-find components to meet their specific needs.

With the principle of "Quality Parts,Customers Priority,Honest Operation,and Considerate Service",our business mainly focus on the distribution of electronic components. Line cards we deal with include Microchip,ALPS,ROHM,Xilinx,Pulse,ON,Everlight and Freescale. Main products comprise IC,Modules,Potentiometer,IC Socket,Relay,Connector.Our parts cover such applications as commercial,industrial, and automotives areas.

We are looking forward to setting up business relationship with you and hope to provide you with the best service and solution. Let us make a better world for our industry!



Contact us

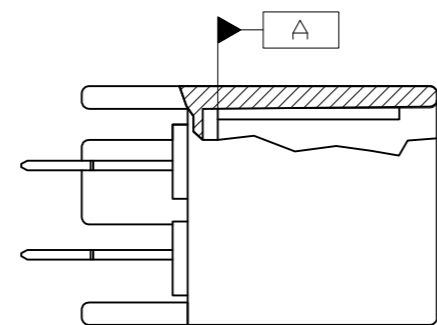
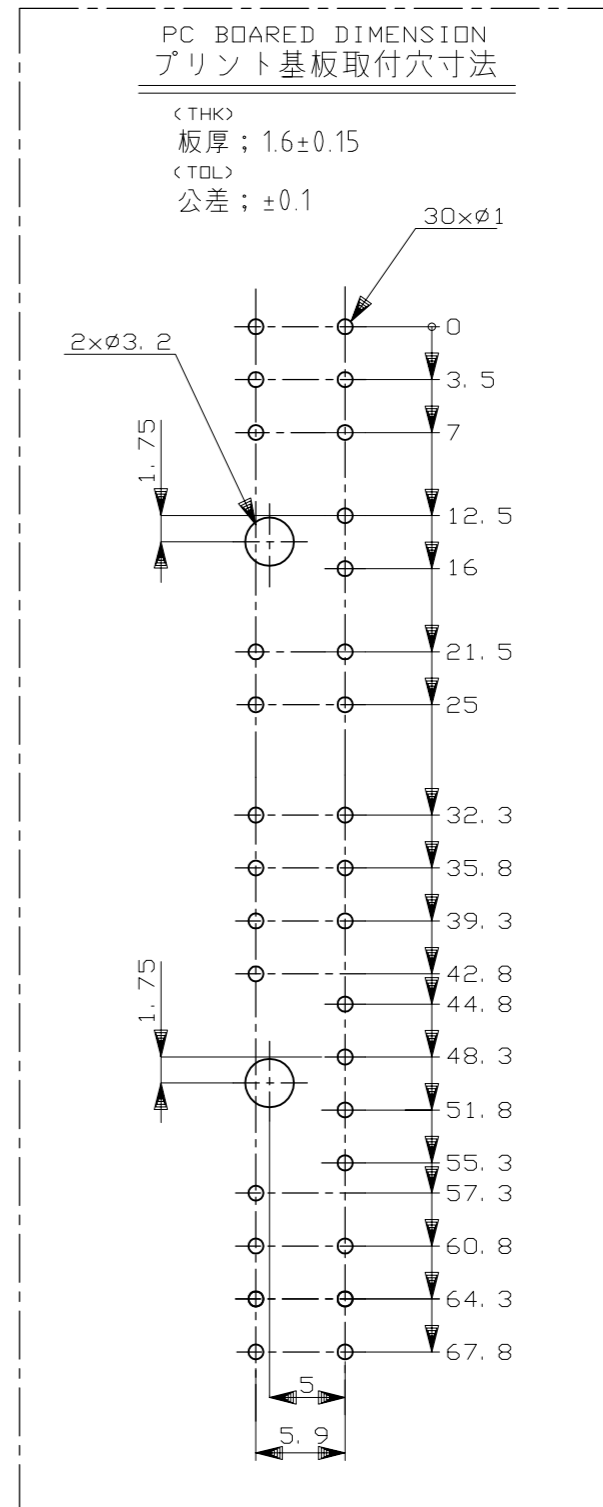
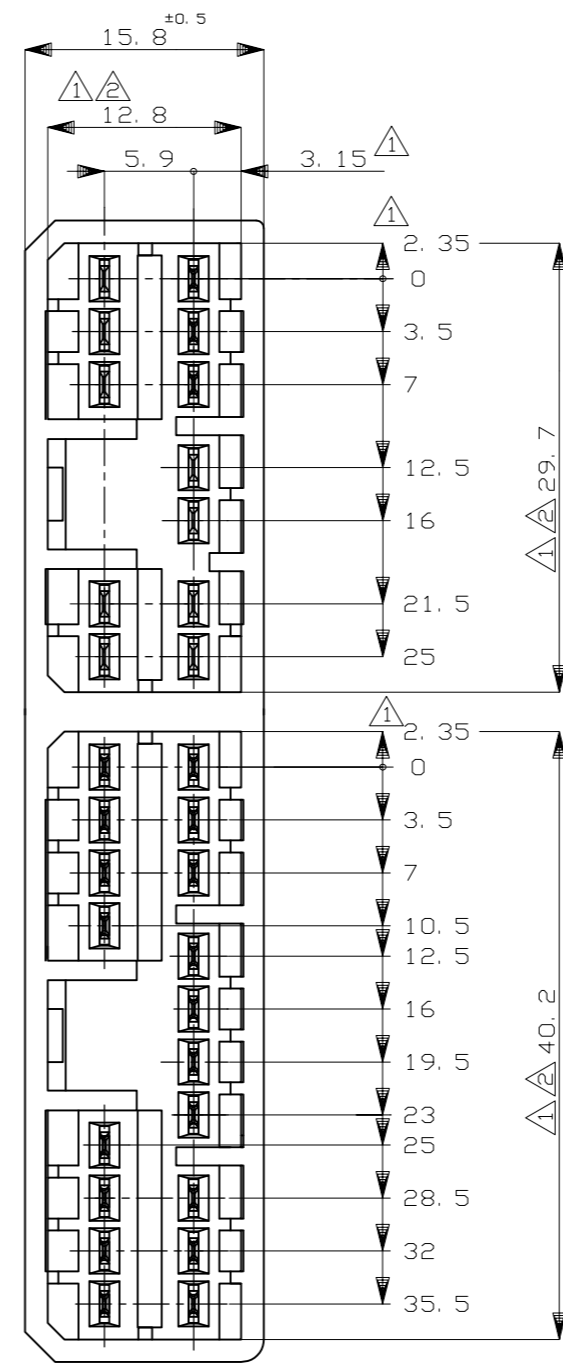
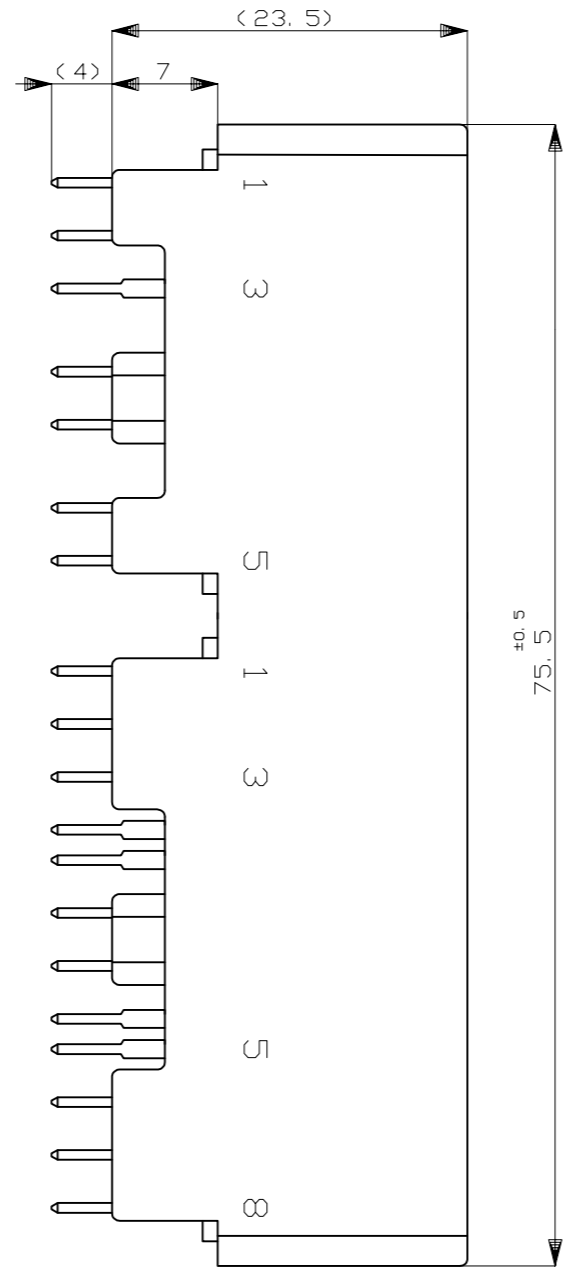
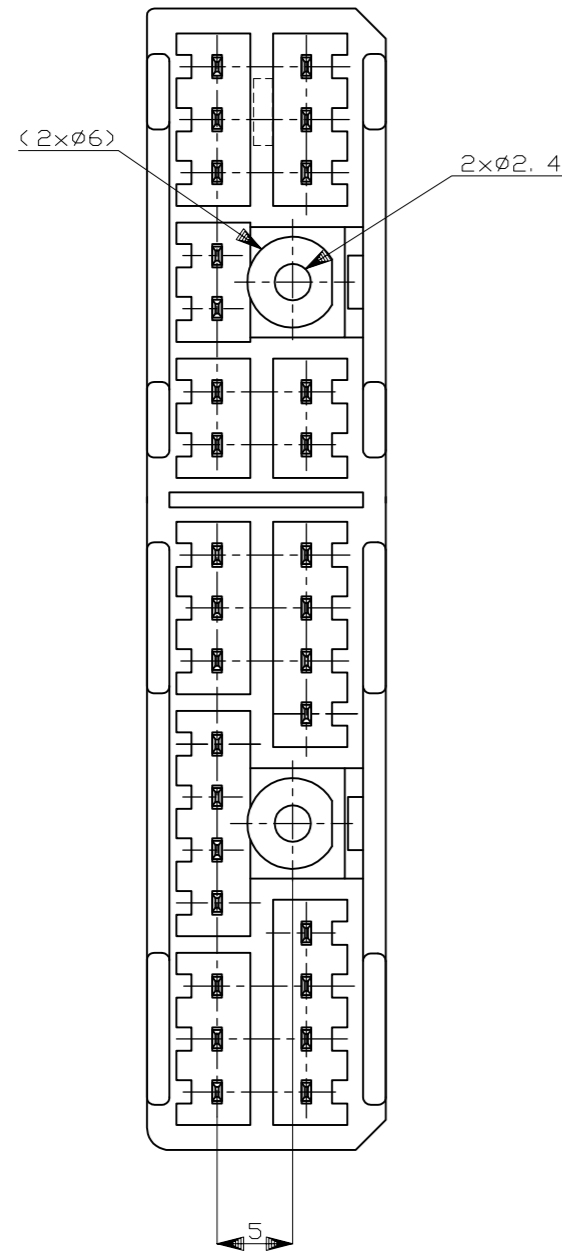
Tel: +86-755-8981 8866 Fax: +86-755-8427 6832

Email & Skype: info@chipsmall.com Web: www.chipsmall.com

Address: A1208, Overseas Decoration Building, #122 Zhenhua RD., Futian, Shenzhen, China



REVISIONS					
P	LTR	DESCRIPTION	DATE	DWN	APVD
F4	REVISED	ECR-16-003280	06SEP2016	KF	HY



- 1 TO BE MEASURED BETWEEN [A] AND 2
- 2 TO BE MATED WITH PLUG HOUSING SMOOTHLY
- 3. TO BE USE M3 TAPPING SCREW JIS B1115 OR 1122 (TYPE 2 OR 4) BEFORE SOLDER
- 4. APPLIED PLUG HOUSING PART NUMBER; 173851, 173853

- 1 [A] 面から2mmの範囲で測定
- 2 相手ハウジングと所定の機能を満たして嵌合できること
- 3. プリント基板への取付けは、JIS B1115 又は 1122, M3×6ナベ (2種又は4種) のタッピンネジで締付けた後ハンダ付けする
- 4. 嵌合相手ハウジング型番; 173851, 173853

TOLERANCE UNLESS OTHERWISE SPECIFIED:
 一般公差

0 < x ≤ 10	: ±0.2
10 < x ≤ 30	: ±0.25
30 < x ≤ 100	: ±0.3
ANGLE	: ±3°
角度	

THIS DRAWING IS A CONTROLLED DOCUMENT.		DWN T.SHINOHARA 30AUG2012	TE Connectivity	
DIMENSIONS: mm		CHK K.BETSUI 30AUG2012	070 SERIES MULTI-LOCK CONNECTOR	
TOLERANCES UNLESS OTHERWISE SPECIFIED:		APVD K.BETSUI 30AUG2012	30POSITION CAP HOUSING ASSEMBLY	
0 PLC ±		PRODUCT SPEC 108-5216	V-TYPE	
1 PLC ± -		APPLICATION SPEC	SIZE A2	CAGE CODE 00779
2 PLC ± -		MATERIAL HOUSING: PBT CONTACT: BRASS	DRAWING NO C=174961	RESTRICTED TO
3 PLC ± -		FINISH -	SCALE 2:1	SHEET 1 OF 1
4 PLC ± -		WEIGHT 15 g	REV F4	
ANGLES ± -		CUSTOMER DRAWING		

SELECTIVE-TIN (MATTE)	SELECTIVE GOLD × 30	NATURAL 自然色	2-5174961-1
PRE-TIN × 30		NATURAL 自然色	1-174961-1
SOLDERING SIDE 半田付け面	CONTACT SIDE 接触部側	COLOR 色	PART NUMBER 製品型番
CONTACT FINISH コンタクト仕上			