



Chipsmall Limited consists of a professional team with an average of over 10 year of expertise in the distribution of electronic components. Based in Hongkong, we have already established firm and mutual-benefit business relationships with customers from,Europe,America and south Asia,supplying obsolete and hard-to-find components to meet their specific needs.

With the principle of “Quality Parts,Customers Priority,Honest Operation,and Considerate Service”,our business mainly focus on the distribution of electronic components. Line cards we deal with include Microchip,ALPS,ROHM,Xilinx,Pulse,ON,Everlight and Freescale. Main products comprise IC,Modules,Potentiometer,IC Socket,Relay,Connector.Our parts cover such applications as commercial,industrial, and automotives areas.

We are looking forward to setting up business relationship with you and hope to provide you with the best service and solution. Let us make a better world for our industry!



Contact us

Tel: +86-755-8981 8866 Fax: +86-755-8427 6832

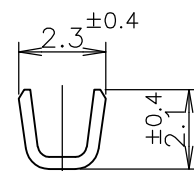
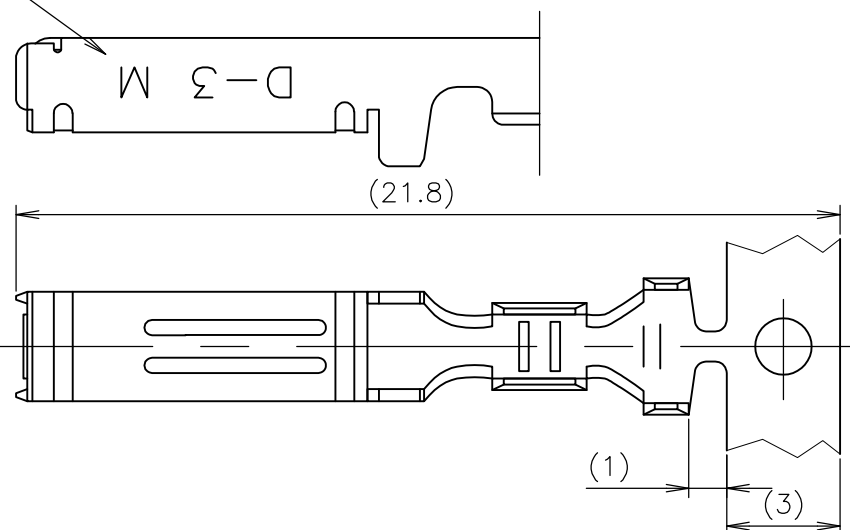
Email & Skype: info@chipsmall.com Web: www.chipsmall.com

Address: A1208, Overseas Decoration Building, #122 Zhenhua RD., Futian, Shenzhen, China

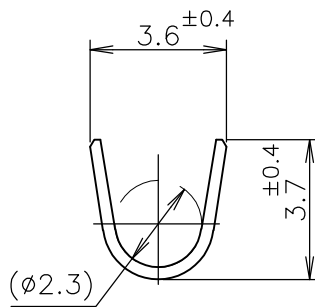
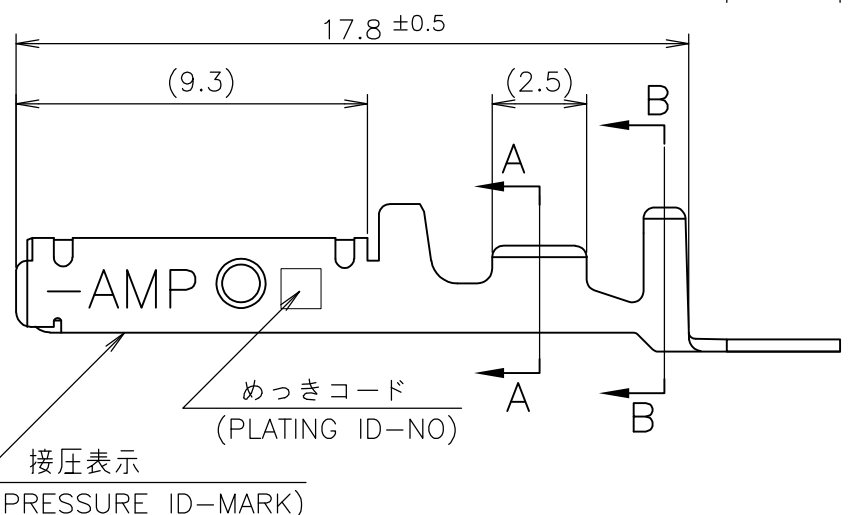


LOC	DIST	REVISIONS 変更					
J	/	P	LTR	DESCRIPTION	DATE	DWN	APVD
		C		REVISED PER ECR-11-007143	07JUL2011	T.T	T.M

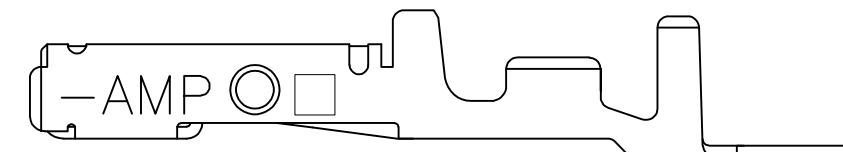
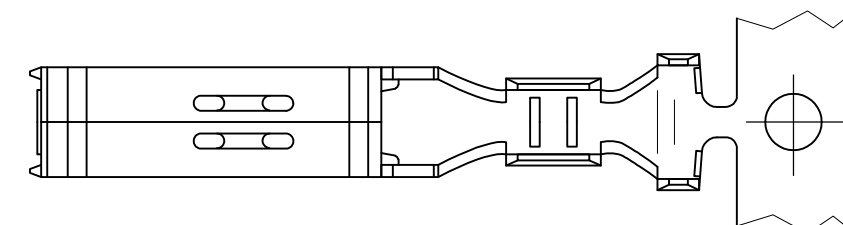
ワイヤーレンジ
WIRE RANGE
ID MARK



A-A



B-B



2-5 ONLY

- ① 標準接圧型コンタクト：一般向け及び多極用
- ② 高接圧型コンタクト：高電流用及び強振動用
- ③ 金めっきは接続部のみとする
- 4 製品規格：108-5349
- 5 取付け適用規格：114-5148

- ① CONTACT TYPE; LOW PRESSURE TYPE (FOR GENERAL)
- ② CONTACT TYPE; HIGH PRESSURE TYPE (FOR HIGH CURRENT OR ANTI-VIBRATION)
- ③ GOLD-PL. CONTACT AREA ONLY
- 4 PRODUCT SPEC: 108-5349
- 5 APPLICATION SPEC: 114-5148

GENERAL TOLERANCE
一般公差

10 ≥ :	±0.2
30 ≥ > 10:	±0.25
100 ≥ > 30:	±0.3
ANGLES:	±3°

OBSOLETE	②	H	5	光沢錫めっき (BRIGHT TIN-PL.)	2-175195-5-
			5	光沢錫めっき (BRIGHT TIN-PL.)	1-175195-5
			3	0.76μm 最小金めっき (0.76μm MIN. Au-PL.)	1-175195-3
			2	0.38μm 最小金めっき (0.38μm MIN. Au-PL.)	1-175195-2
			2	0.38μm 最小金めっき (0.38μm MIN. Au-PL.)	175195-2
①	INACTIVE	/	5	光沢錫めっき (BRIGHT TIN-PL.)	175195-5
			3	0.76μm 最小金めっき (0.76μm MIN. Au-PL.)	175195-3
			2	0.38μm 最小金めっき (0.38μm MIN. Au-PL.)	175195-2
備考 (REMARK)	接圧表示 (ID-MARK) (CONT. TYPE)	めっきコード (PL. ID NO)	仕上 (FINISH)	③	型番 (P/N)

WIRE RANGE 包合電線断面積 AWG 24-20 (0.2-0.5mmSQ) mm² INSULATION DIA 被覆外径 1.2-2.6 mmφ

THIS DRAWING IS A CONTROLLED DOCUMENT.

DIMENSIONS: 単位: 耗 mm	TOLERANCES UNLESS OTHERWISE SPECIFIED: 一般公差	DWN T-YONEBAYASHI 27JUN1990	STE TE Connectivity
		CHK H.OBATA 14FEB1991	
		APVD S.MANABE 14FEB1991	
		NAME 名称	
MATERIAL 材料 (COPPER ALLOY) 銅合金	FINISH 仕上 (SEE TABLE) 表参照	PRODUCT SPEC 製品規格	M SIZE DYNAMIC SERIES REC. CONTACT ダイナミックシリーズリセプタクルコンタクト
CUSTOMER DRAWING		APPLICATION SPEC 取付適用規格	SIZE A3 CAGE CODE 00779 DRAWING NO. C-175195
SCALE 尺度 5:1		WEIGHT	SHEET 1 OF 1 REV C