



Chipsmall Limited consists of a professional team with an average of over 10 year of expertise in the distribution of electronic components. Based in Hongkong, we have already established firm and mutual-benefit business relationships with customers from,Europe,America and south Asia,supplying obsolete and hard-to-find components to meet their specific needs.

With the principle of "Quality Parts,Customers Priority,Honest Operation,and Considerate Service",our business mainly focus on the distribution of electronic components. Line cards we deal with include Microchip,ALPS,ROHM,Xilinx,Pulse,ON,Everlight and Freescale. Main products comprise IC,Modules,Potentiometer,IC Socket,Relay,Connector.Our parts cover such applications as commercial,industrial, and automotives areas.

We are looking forward to setting up business relationship with you and hope to provide you with the best service and solution. Let us make a better world for our industry!



## Contact us

Tel: +86-755-8981 8866 Fax: +86-755-8427 6832

Email & Skype: info@chipsmall.com Web: www.chipsmall.com

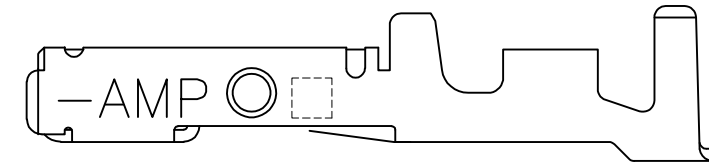
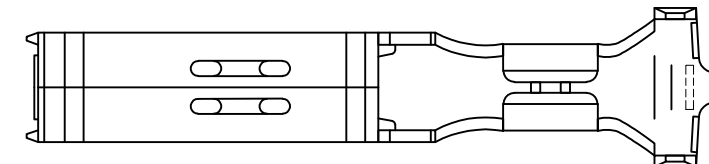
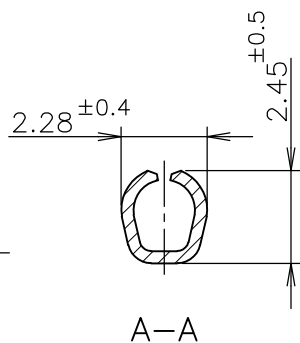
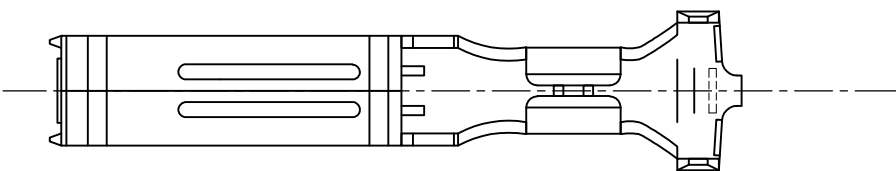
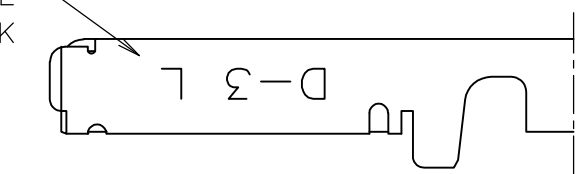
Address: A1208, Overseas Decoration Building, #122 Zhenhua RD., Futian, Shenzhen, China



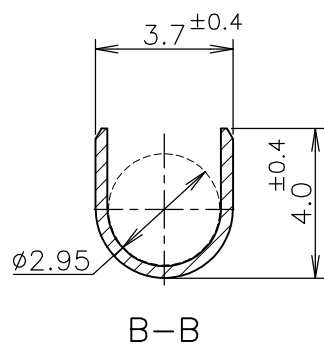
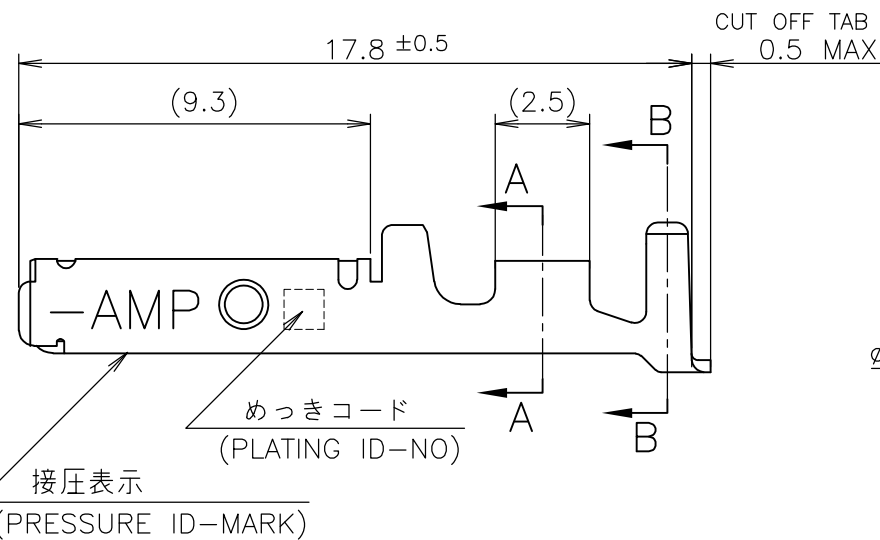
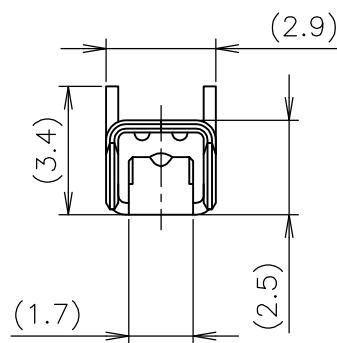
THIS DRAWING IS UNPUBLISHED. RELEASED FOR PUBLICATION JUN ,1990.  
 © COPYRIGHT 1990 By Tyco Electronics Japan G.K. ALL RIGHTS RESERVED.

LOC	DIST	REVISIONS					
J	/	P	LTR	DESCRIPTION	DATE	DWN	APVD
			C	REVISED PER ECR-11-007143	07JUL2011	T.T	T.M

ワイヤーレンジ  
WIRE RANGE  
ID MARK



2- -5 ONLY



- ① 標準接圧型コンタクト：一般向け及び多極用
- ② 高接圧型コンタクト：高電流用及び強振動用
- ③ 金めっきは接続部のみとする
- 4 製品規格：108-5349
- 5 取付け適用規格：114-5148

備考 (REMARK)	接圧表示 (ID-MARK)	めっきコード (PL. ID NO)	仕上 (FINISH)	型番 (P/N)
OBSOLETE	H	5	光沢錫めっき (BRIGHT TIN-PL.)	2-175218-5
		5	光沢錫めっき (BRIGHT TIN-PL.)	1-175218-5
		3	0.76μm 最小金めっき (0.76μm MIN. Au-PL.)	1-175218-3
		2	0.38μm 最小金めっき (0.38μm MIN. Au-PL.)	1-175218-2
		5	光沢錫めっき (BRIGHT TIN-PL.)	175218-5
		2	0.38μm 最小金めっき (0.38μm MIN. Au-PL.)	175218-2

- ① CONTACT TYPE; LOW PRESSURE TYPE (FOR GENERAL)
- ② CONTACT TYPE; HIGH PRESSURE TYPE (FOR HIGH CURRENT OR ANTI-VIBRATION)
- ③ GOLD-PL. CONTACT AREA ONLY
- 4 PRODUCT SPEC: 108-5349
- 5 APPLICATION SPEC: 114-5148

GENERAL TOLERANCE  
一般公差

10 ≥ :	±0.2
30 ≥ > 10:	±0.25
100 ≥ > 30:	±0.3
ANGLES:	±3°

THIS DRAWING IS A CONTROLLED DOCUMENT.

DIMENSIONS: 単位: 耗 mm	TOLERANCES UNLESS OTHERWISE SPECIFIED: 一般公差
	0 PLC ± -
	1 PLC ± -
	2 PLC ± -
	3 PLC ± -
	4 PLC ± -
	ANGLES ± -
MATERIAL 材料 (COPPER ALLOY) 銅合金	FINISH 仕上 (SEE TABLE) 表参照

DWN	27JUN1990
T-YONEBAYASHI	
CHK	14FEB1991
H.OBATA	
APVD	14FEB1991
S.MANABE	
PRODUCT SPEC	製品規格
APPLICATION SPEC	取付適用規格
WEIGHT	

WIRE RANGE  
包合電線断面積 AWG 20-16  
(0.5-1.25mmSQ)mm<sup>2</sup>

INSULATION DIA  
被覆外径 1.8-2.8 mmφ

**STE** TE Connectivity

L SIZE  
DYNAMIC SERIES REC. CONTACT L/P  
ダイナミックシリーズリセプタクルコンタクト L/P

SIZE A3 CAGE CODE 00779 DRAWING NO. C-175218

CUSTOMER DRAWING

SCALE 5:1 SHEET 1 OF 1 REV C