



Chipsmall Limited consists of a professional team with an average of over 10 year of expertise in the distribution of electronic components. Based in Hongkong, we have already established firm and mutual-benefit business relationships with customers from,Europe,America and south Asia,supplying obsolete and hard-to-find components to meet their specific needs.

With the principle of “Quality Parts,Customers Priority,Honest Operation,and Considerate Service”,our business mainly focus on the distribution of electronic components. Line cards we deal with include Microchip,ALPS,ROHM,Xilinx,Pulse,ON,Everlight and Freescale. Main products comprise IC,Modules,Potentiometer,IC Socket,Relay,Connector.Our parts cover such applications as commercial,industrial, and automotives areas.

We are looking forward to setting up business relationship with you and hope to provide you with the best service and solution. Let us make a better world for our industry!



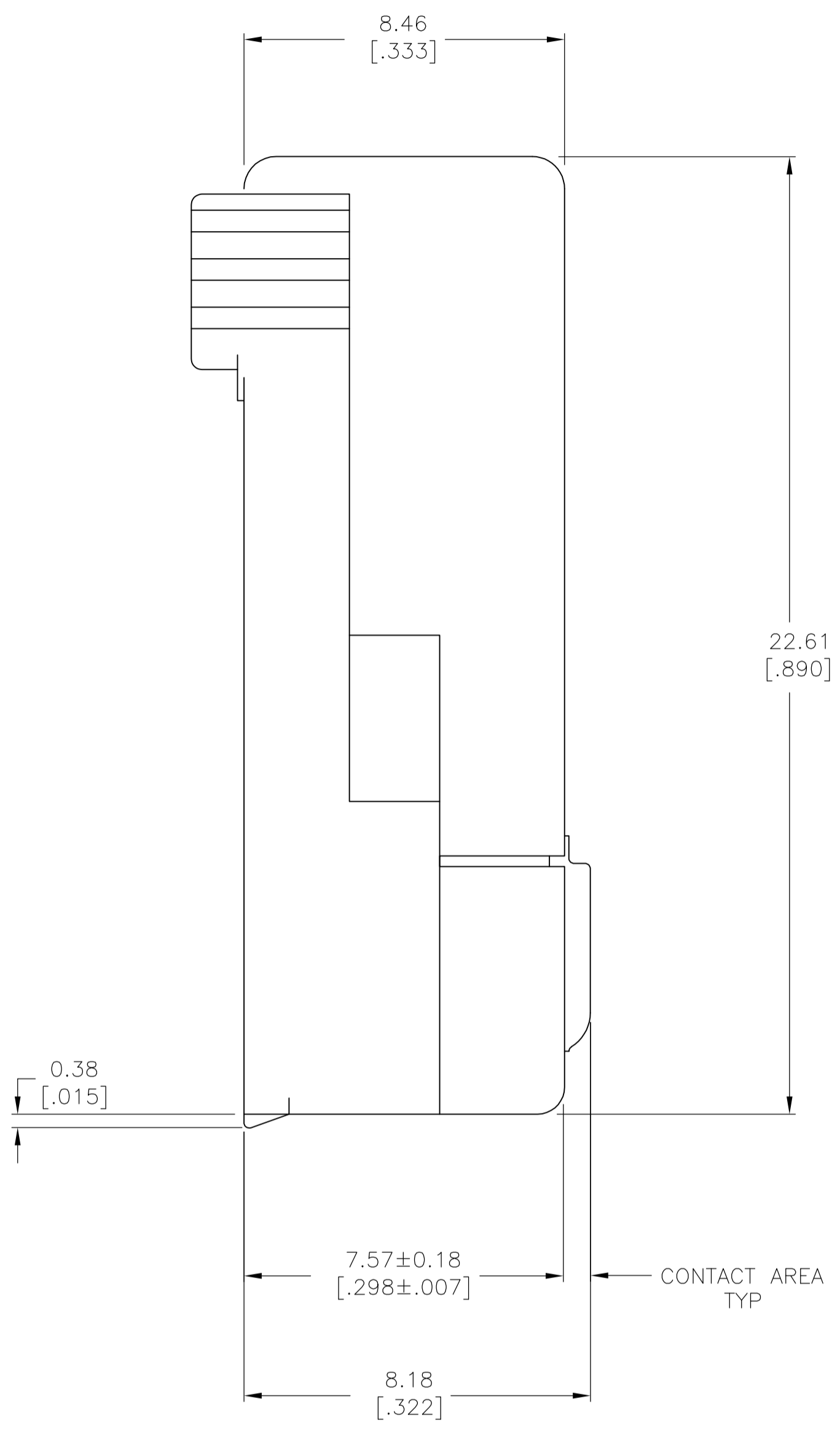
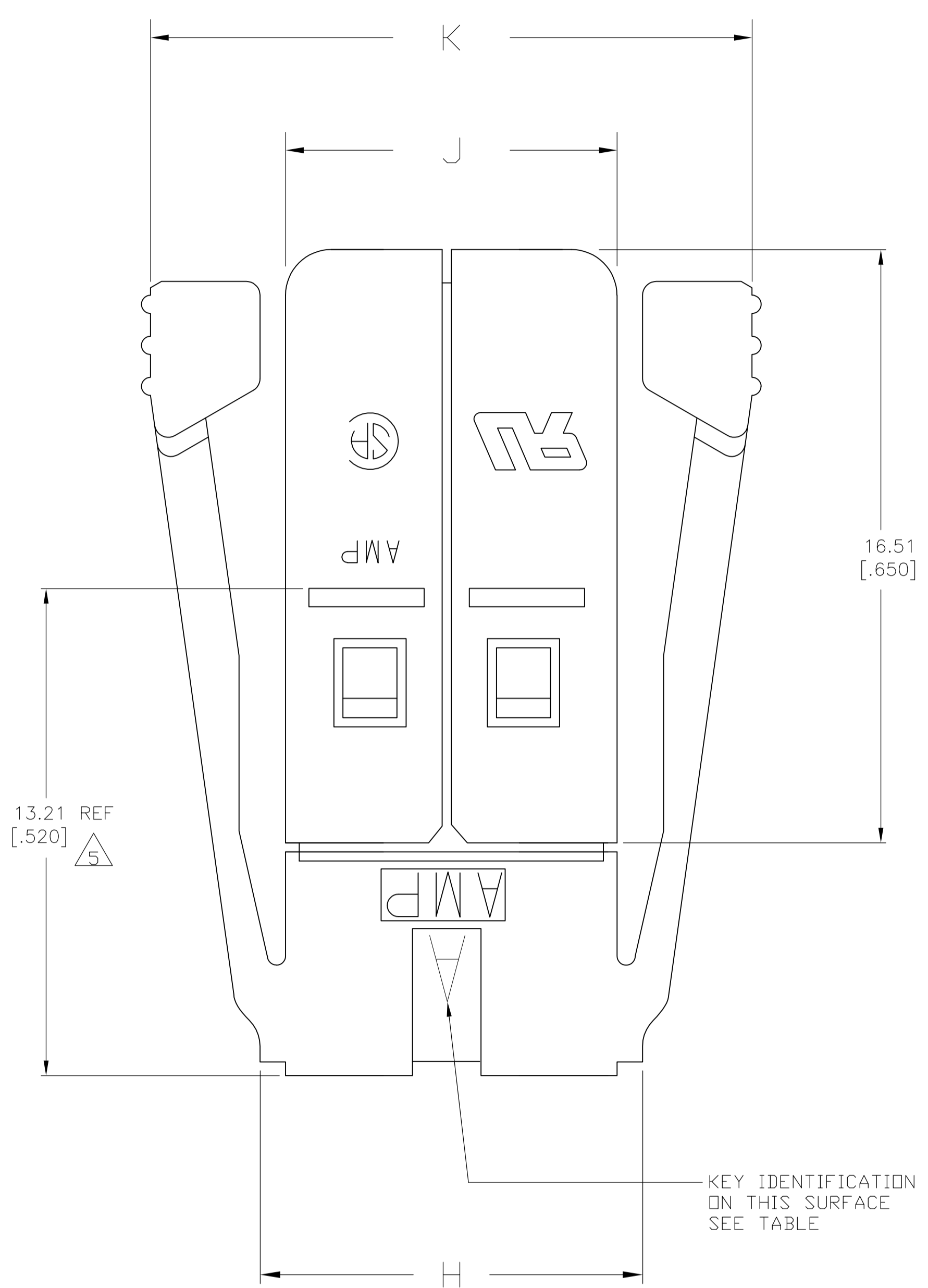
Contact us

Tel: +86-755-8981 8866 Fax: +86-755-8427 6832

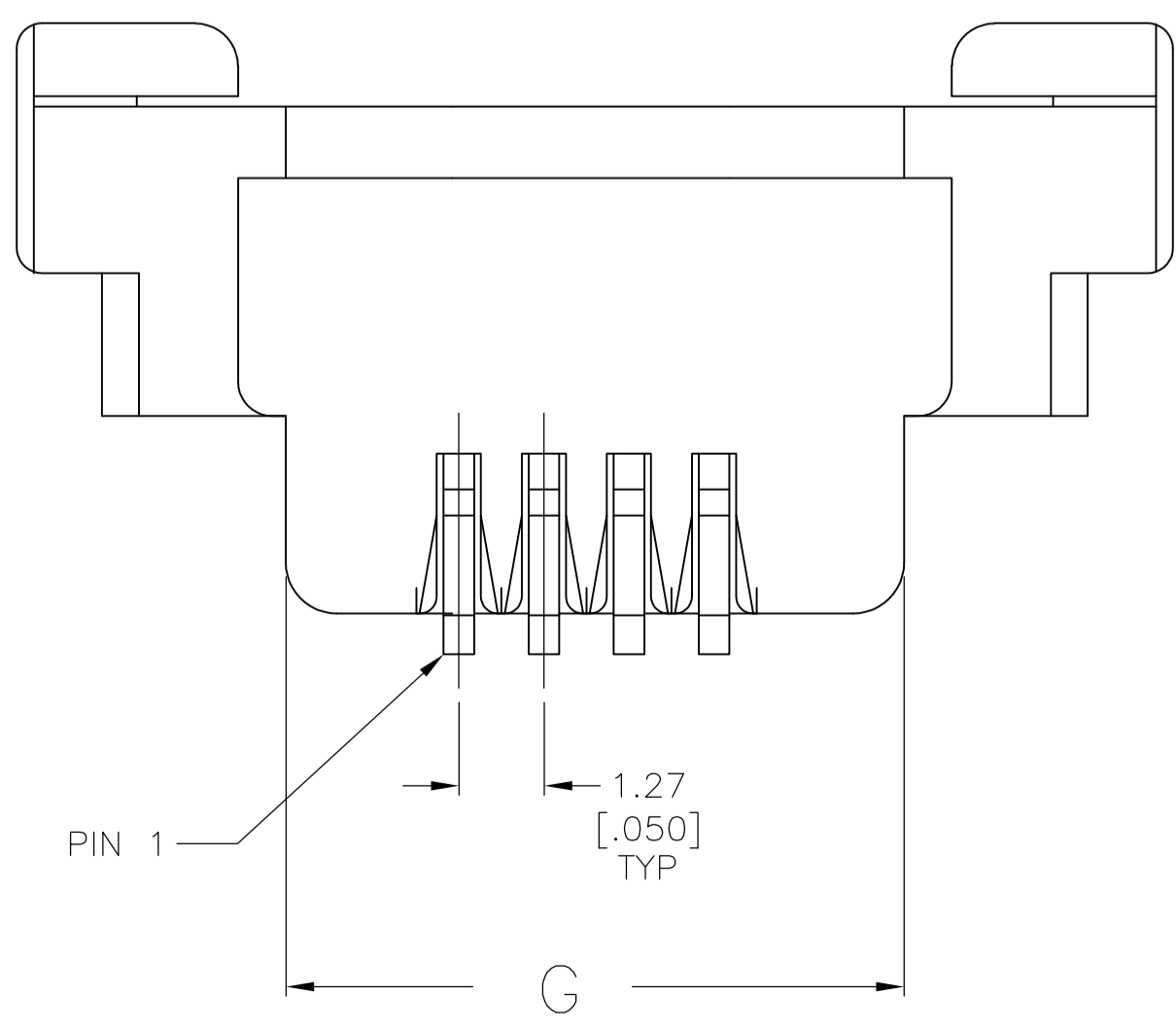
Email & Skype: info@chipsmall.com Web: www.chipsmall.com

Address: A1208, Overseas Decoration Building, #122 Zhenhua RD., Futian, Shenzhen, China





KEY IDENTIFICATION LETTER ON THIS SURFACE SEE TABLE



1. PREFIX AND SUFFIX NUMBERS MUST MATCH THOSE ON RECEPTACLE FOR PARTS TO MATE.
- 2 MATERIAL:
 - HOUSING- POLYCARBONATE
 - CONTACT- COPPER ALLOY
 - SHIELD- BRASS
- 3 FINISH:
 - HOUSING- SMOKE GRAY
 - CONTACT- 0.00127[.000050] MIN NICKEL OVER ENTIRE PART, 0.00002[.000001] GOLD FLASH OVER ENTIRE PART, 0.00127[.000050] MIN GOLD OVER CONTACT AREA.
 - SHIELD: 0.00076[.000030] BRIGHT TIN OVER 0.00127[.000050] MIN NICKEL.
- 4 CABLES SHOULD MEET AMP DRAWING SPECIFICATIONS 520471-1.
- 5 INSERTION DEPTH INTO RECEPTACLE.
6. BULK CABLE ARE NOT AVAILABLE FROM AMP INC.
- 7 CABLES SHOULD MEET AMP DRAWING SPECIFICATIONS 520475-1.
- 8 CABLES SHOULD MEET AMP DRAWING SPECIFICATIONS 520477-1.
- 9 CABLES SHOULD MEET AMP DRAWING SPECIFICATIONS 520473-1.
10. FOR TERMINATION OF 24 AWG, 7 STRANDED, FLAT RIBBON CABLE WITH 1.27[.050] NOMINAL O.D. CONDUCTOR INSULATION PER LISTED DRAWING SPECIFICATIONS.
- 11 OBSOLETE PARTS: OBSOLETE CIS STREAMLINING PER D.RENAUD/D.SINISI

	32.11 [1.264]	24.76 [.975]	25.70 [1.012]	24.59 [.968]	16	E	8	5-1761184-6
	21.95 [.864]	14.60 [.575]	15.54 [.612]	14.43 [.568]	8	E	7	5-1761184-3
	19.40 [.764]	12.06 [.475]	13.00 [.512]	11.89 [.468]	6	E	9	5-1761184-2
	16.87 [.664]	9.52 [.375]	10.46 [.412]	9.35 [.368]	4	E	4	5-1761184-1
	16.87 [.664]	9.52 [.375]	10.46 [.412]	9.35 [.368]	4	D	4	4-1761184-1
OBSOLETE	21.95 [.864]	14.60 [.575]	15.54 [.612]	14.43 [.568]	8	C	7	3-1761184-3
11 OBSOLETE	19.40 [.764]	12.06 [.475]	13.00 [.512]	11.89 [.468]	6	C	9	3-1761184-2
	16.87 [.664]	9.52 [.375]	10.46 [.412]	9.35 [.368]	4	C	4	3-1761184-1
OBSOLETE	16.87 [.664]	9.52 [.375]	10.46 [.412]	9.35 [.368]	4	B	4	2-1761184-1
OBSOLETE	32.11 [1.264]	24.76 [.975]	25.70 [1.012]	24.59 [.968]	16	A	8	1-1761184-6
	21.95 [.864]	14.60 [.575]	15.54 [.612]	14.43 [.568]	8	A	7	1-1761184-3
	19.40 [.764]	12.06 [.475]	13.00 [.512]	11.89 [.468]	6	A	9	1-1761184-2
	16.87 [.664]	9.52 [.375]	10.46 [.412]	9.35 [.368]	4	A	4	1-1761184-1
	K	J	H	G	NO OF POSN	KEY I.D. LETTER	PART NO	

THIS DRAWING IS A CONTROLLED DOCUMENT.

DIMENSIONS: mm [INCHES]	TOLERANCES UNLESS OTHERWISE SPECIFIED:	DIN B MCMMASTER 21APR04	APVD M WALMSLEY 21APR04	NAME PLUG ASSY, FLAT CABLE, 50 SERIES, SDL
0 PLC ± -	1 PLC ± -	C ROHDE 21APR04	PRODUCT SPEC 108-2047	SIZE A1
2 PLC ± ± 0.25 [010]	3 PLC ± -		APPLICATION SPEC 114-2086	WEIGHT -
4 PLC ± -	ANGLES ± -		RESTRICTED TO	CUSTOMER DRAWING

SCALE 5:1 SHEET 1 OF 1 REV B