



Chipsmall Limited consists of a professional team with an average of over 10 year of expertise in the distribution of electronic components. Based in Hongkong, we have already established firm and mutual-benefit business relationships with customers from,Europe,America and south Asia,supplying obsolete and hard-to-find components to meet their specific needs.

With the principle of “Quality Parts,Customers Priority,Honest Operation,and Considerate Service”,our business mainly focus on the distribution of electronic components. Line cards we deal with include Microchip,ALPS,ROHM,Xilinx,Pulse,ON,Everlight and Freescale. Main products comprise IC,Modules,Potentiometer,IC Socket,Relay,Connector.Our parts cover such applications as commercial,industrial, and automotives areas.

We are looking forward to setting up business relationship with you and hope to provide you with the best service and solution. Let us make a better world for our industry!



Contact us

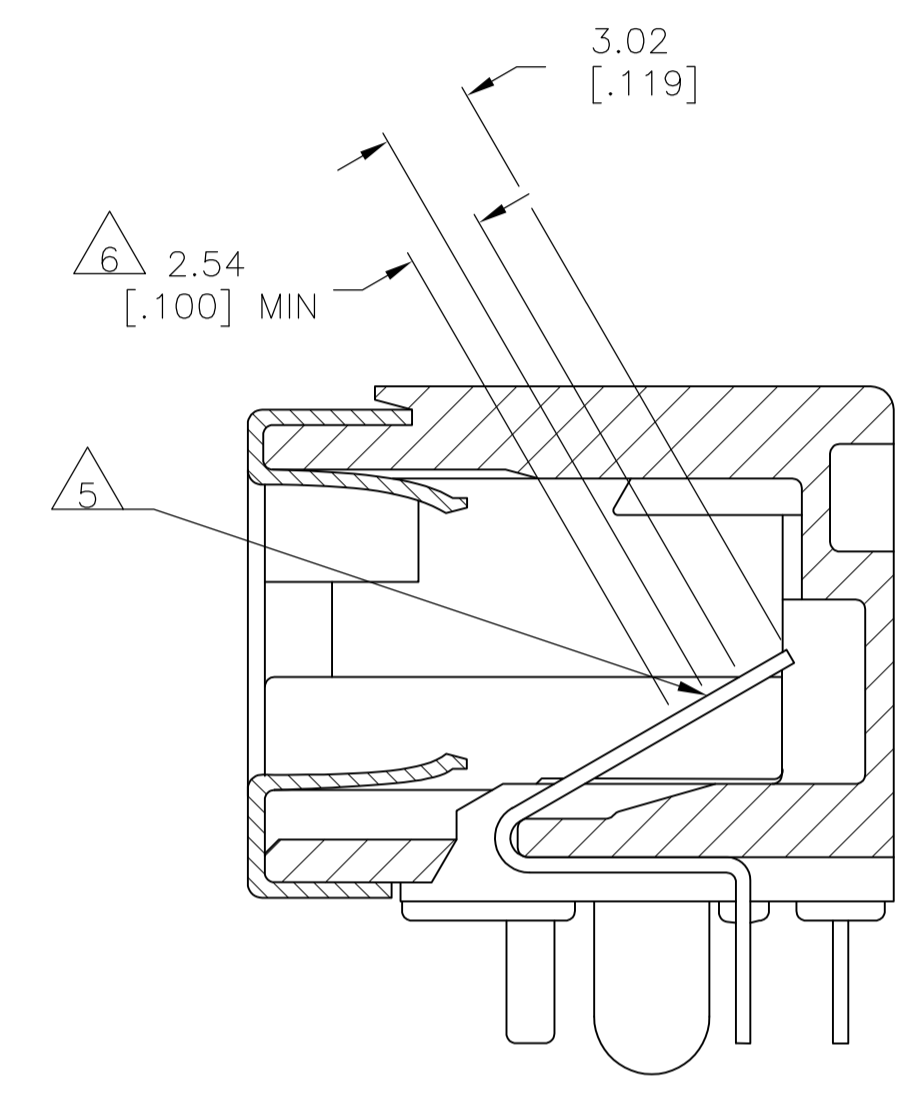
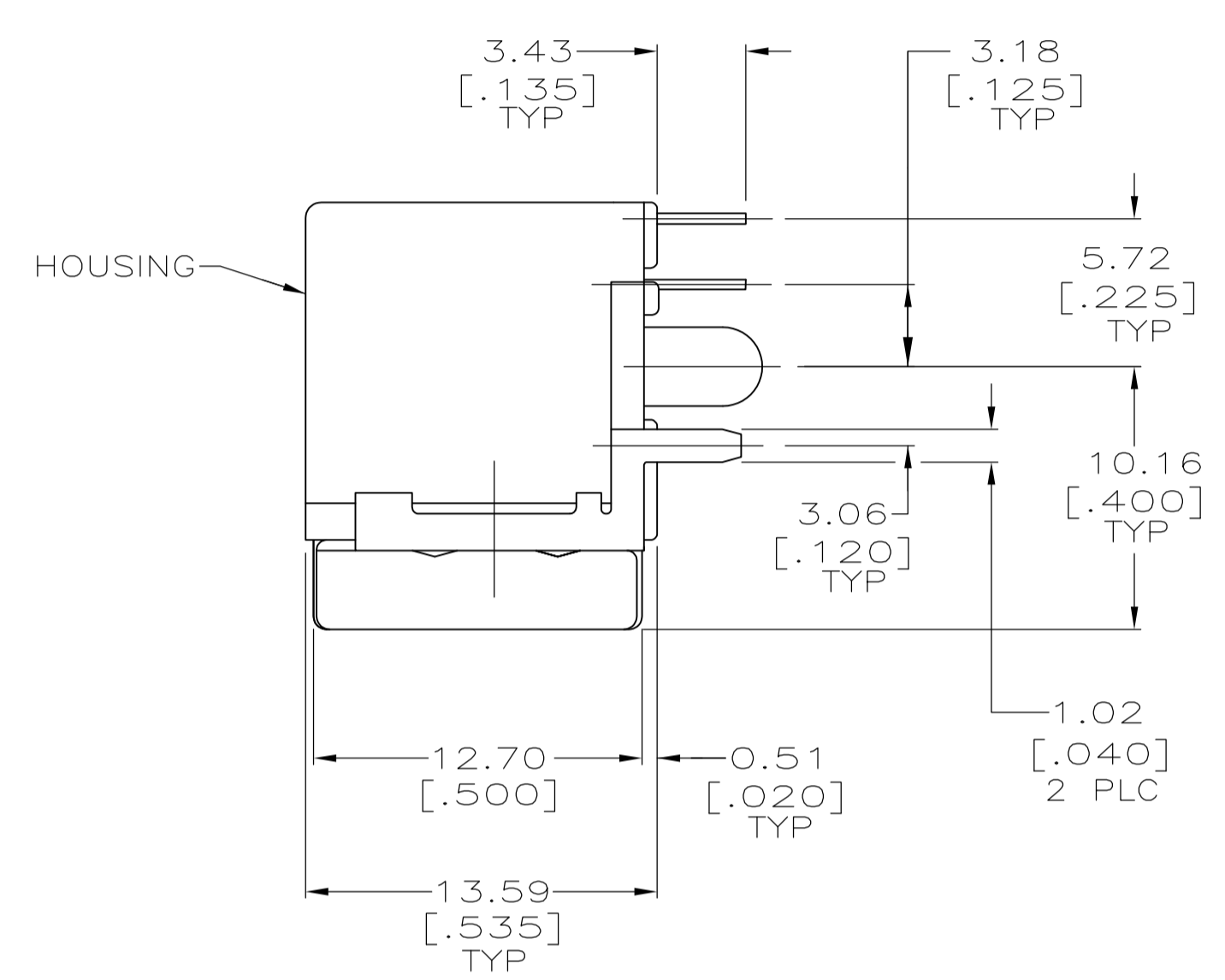
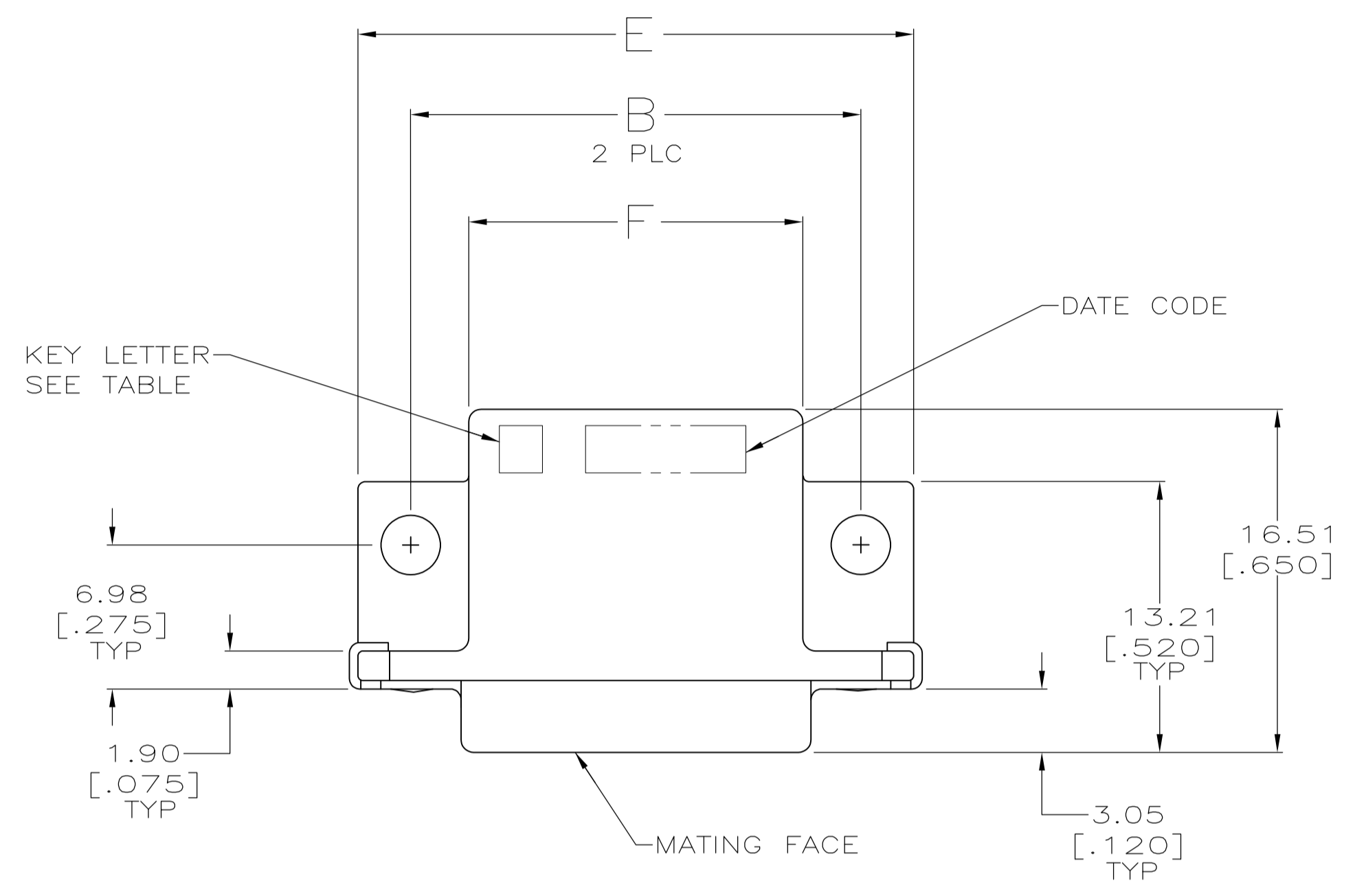
Tel: +86-755-8981 8866 Fax: +86-755-8427 6832

Email & Skype: info@chipsmall.com Web: www.chipsmall.com

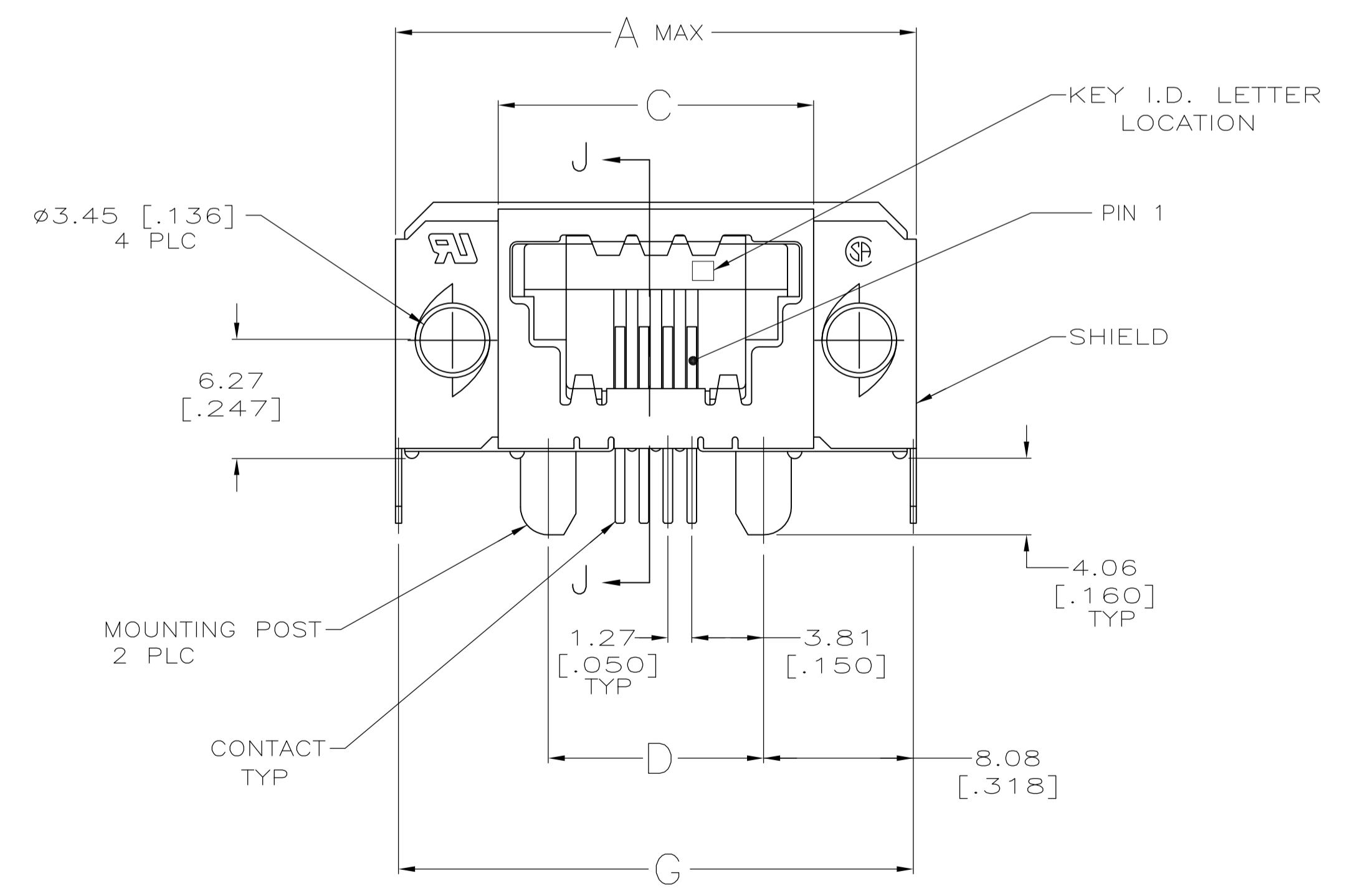
Address: A1208, Overseas Decoration Building, #122 Zhenhua RD., Futian, Shenzhen, China



- PREFIX AND SUFFIX NUMBERS MUST MATCH THOSE ON PLUG ASSEMBLY FOR PARTS TO MATE.
- POLYESTER, FLAME RETARDANT, UL 94V-0 RATED, GLASS FILLED, BLACK.
- 3.81µm [.000150] MIN BRIGHT TIN OVER 1.27µm [.000050] MIN NICKEL.
- 1.27µm [.000050] MIN GOLD ON MATING SURFACE FOR A LENGTH OF 2.54 [.100] MIN, 3.81µm [.000150] MIN MATTE TIN ON OPPOSITE END FOR A LENGTH OF 3.81 [.150] MIN, BOTH OVER 1.27µm [.000050] MIN NICKEL ON ENTIRE CONTACT.
- POINT OF PLATING MEASUREMENT.
- DIMENSION INDICATES MATING AREA.



SECTION J-J



| | | | | | | | | | | |
|----------|------------------|------------------|------------------|------------------|------------------|------------------|------------------|-----------------|---------|-------------|
| | 42.57 [1.676] | 31.24 [1.230] | 41.91 [1.650] | 26.67 [1.050] | 31.98 [1.259] | 36.83 [1.450] | 43.18 [1.700] | 16 | E | 5-1761185-6 |
| | 32.41 [1.276] | 21.08 [.830] | 31.75 [1.250] | 16.51 [.650] | 21.82 [.859] | 26.67 [1.050] | 33.02 [1.300] | 8 | E | 5-1761185-3 |
| OBSOLETE | 29.87 [1.176] | 18.54 [.730] | 29.21 [1.150] | 13.97 [.550] | 19.28 [.759] | 24.13 [.950] | 30.48 [1.200] | 6 | E | 5-1761185-2 |
| | 27.33 [1.076] | 16.00 [.630] | 26.67 [1.050] | 11.43 [.450] | 16.74 [.659] | 21.59 [.850] | 27.94 [1.100] | 4 | E | 5-1761185-1 |
| | 27.33 [1.076] | 16.00 [.630] | 26.67 [1.050] | 11.43 [.450] | 16.74 [.659] | 21.59 [.850] | 27.94 [1.100] | 4 | D | 4-1761185-1 |
| | 32.41 [1.276] | 21.08 [.830] | 31.75 [1.250] | 16.51 [.650] | 21.82 [.859] | 26.67 [1.050] | 33.02 [1.300] | 8 | C | 3-1761185-3 |
| OBSOLETE | 42.57 [1.676] | 31.24 [1.230] | 41.91 [1.650] | 26.67 [1.050] | 31.98 [1.259] | 36.83 [1.450] | 43.18 [1.700] | 16 | A | 1-1761185-6 |
| | 32.41 [1.276] | 21.08 [.830] | 31.75 [1.250] | 16.51 [.650] | 21.82 [.859] | 26.67 [1.050] | 33.02 [1.300] | 8 | A | 1-1761185-3 |
| | 29.87 [1.176] | 18.54 [.730] | 29.21 [1.150] | 13.97 [.550] | 19.28 [.759] | 24.13 [.950] | 30.48 [1.200] | 6 | A | 1-1761185-2 |
| | 27.33 [1.076] | 16.00 [.630] | 26.67 [1.050] | 11.43 [.450] | 16.74 [.659] | 21.59 [.850] | 27.94 [1.100] | 4 | A | 1-1761185-1 |
| G | F | E | D | C | B | A | NO OF POSN | KEY I.D. LETTER | PART NO | |

THIS DRAWING IS A CONTROLLED DOCUMENT.

| | | | | |
|-------------------------|--|------------------------------|------------------------------|--|
| DIMENSIONS: mm [INCHES] | TOLERANCES UNLESS OTHERWISE SPECIFIED: | DIN B MCMASITER 26APR04 | APPROVED: M. WALSLEY 26APR04 | NAME: RECEPTACLE ASSEMBLY, SIDE ENTRY WITH GROUND, SDL |
| 0 PLC ± - | 1 PLC ± - | APPROVED: C. ROHDE 26APR04 | PRODUCT SPEC: 108-2047 | SIZE: A1 |
| 2 PLC ± - | 3 PLC ± 0.381 [015] | APPROVED: M. WALSLEY 26APR04 | APPLICATION SPEC: 114-2081 | SCALE: 4:1 |
| 4 PLC ± - | ANGLES ± - | APPROVED: M. WALSLEY 26APR04 | WEIGHT: - | SHEET 1 OF 1 |
| MATERIAL: 2 | FINISH: 3, 4 | APPROVED: M. WALSLEY 26APR04 | CUSTOMER DRAWING | REV C |

STE TE Connectivity