



Chipsmall Limited consists of a professional team with an average of over 10 year of expertise in the distribution of electronic components. Based in Hongkong, we have already established firm and mutual-benefit business relationships with customers from,Europe,America and south Asia,supplying obsolete and hard-to-find components to meet their specific needs.

With the principle of “Quality Parts,Customers Priority,Honest Operation,and Considerate Service”,our business mainly focus on the distribution of electronic components. Line cards we deal with include Microchip,ALPS,ROHM,Xilinx,Pulse,ON,Everlight and Freescale. Main products comprise IC,Modules,Potentiometer,IC Socket,Relay,Connector.Our parts cover such applications as commercial,industrial, and automotives areas.

We are looking forward to setting up business relationship with you and hope to provide you with the best service and solution. Let us make a better world for our industry!



Contact us

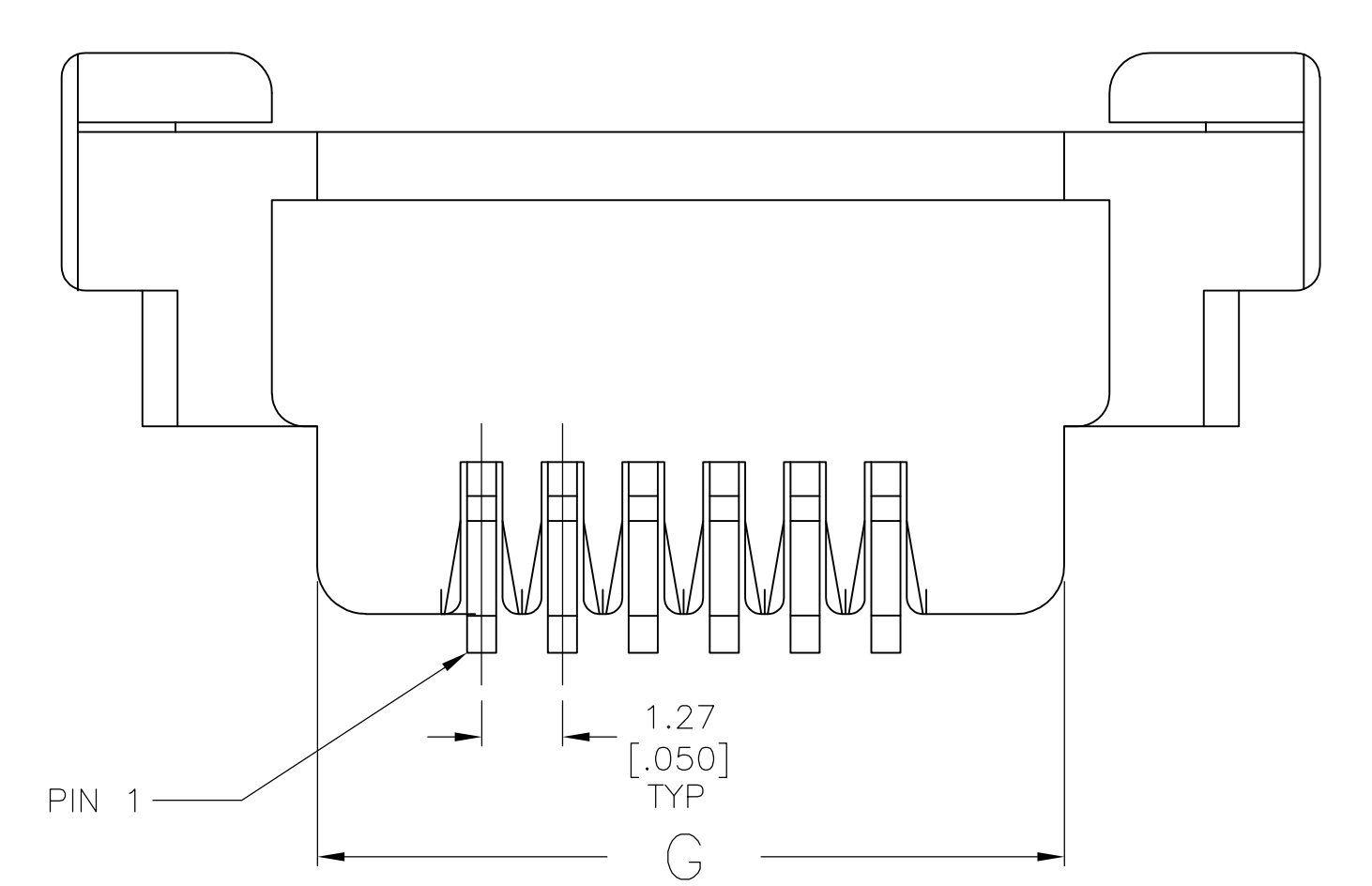
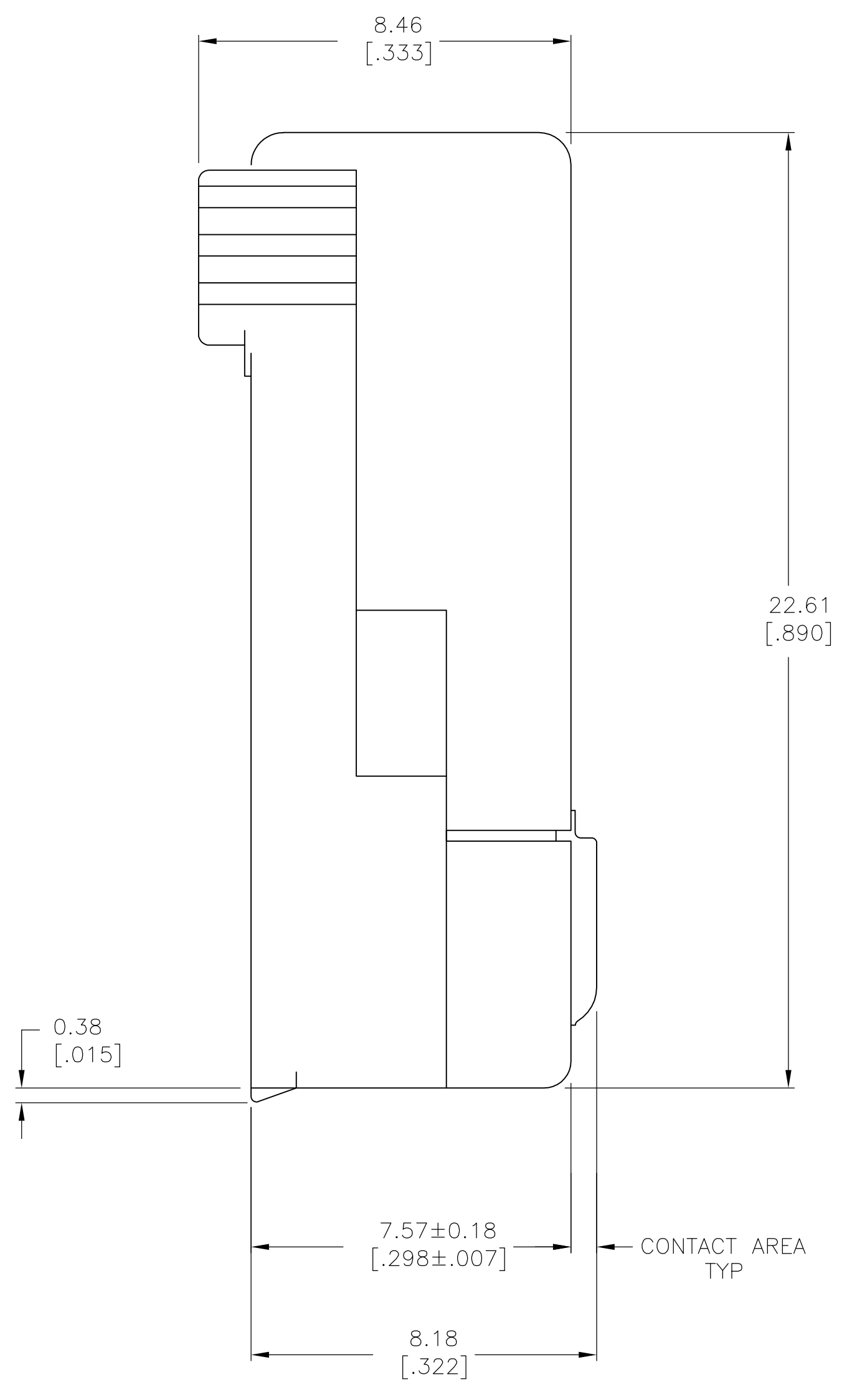
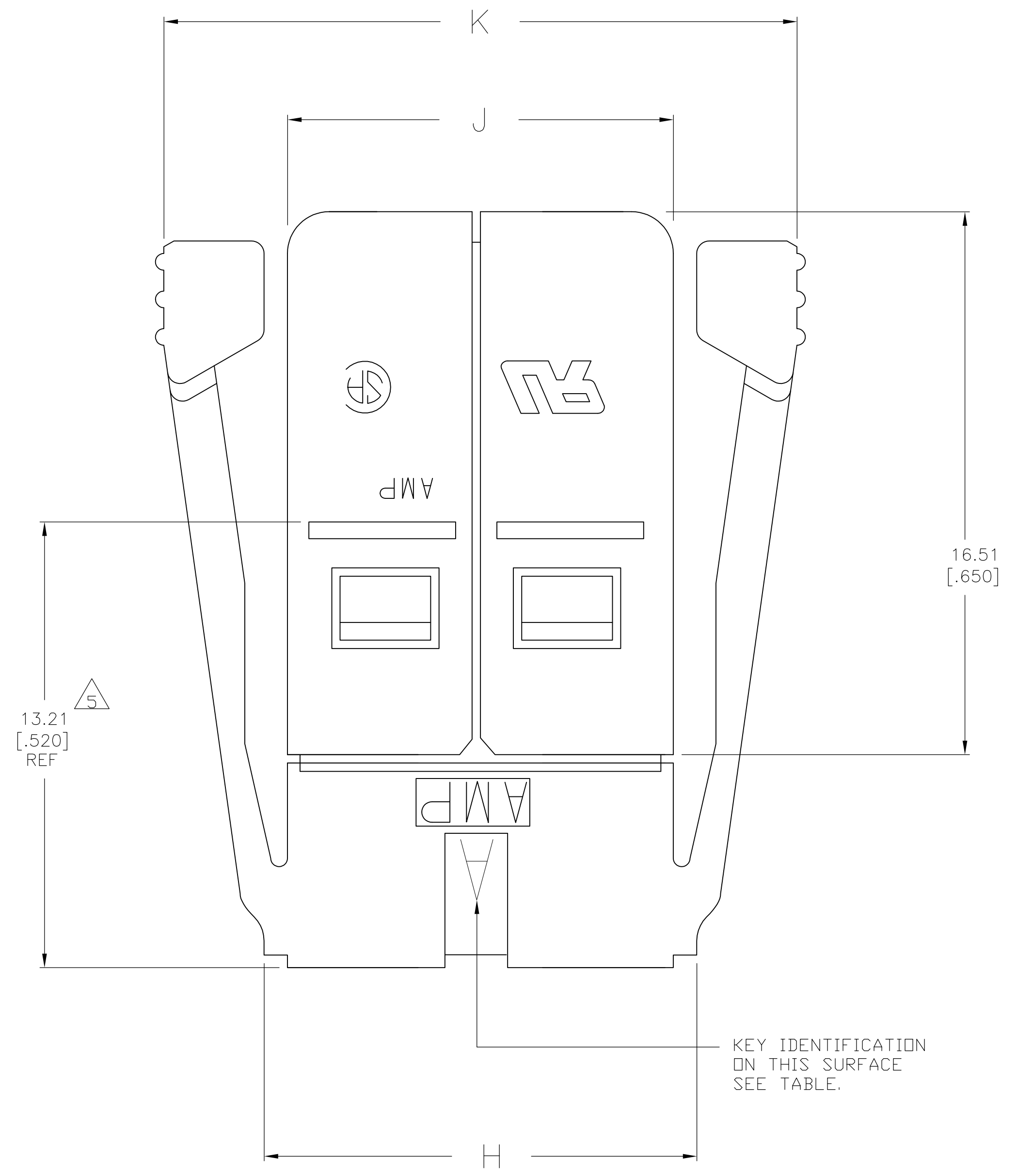
Tel: +86-755-8981 8866 Fax: +86-755-8427 6832

Email & Skype: info@chipsmall.com Web: www.chipsmall.com

Address: A1208, Overseas Decoration Building, #122 Zhenhua RD., Futian, Shenzhen, China



LOC		DIST		REVISIONS			
GP	00	REV	DATE	BY	CHK	APPV	
03		REVISED PER ECO-07-018152	06AUG07	BM		CR	



KEY IDENTIFICATION ON THIS SURFACE SEE TABLE.

- PREFIX AND SUFFIX NUMBERS MUST MATCH THOSE ON RECEPTACLE FOR PARTS TO MATE.
- MATERIAL:**
 HOUSING- POLYCARBONATE
 CONTACT- COPPER ALLOY
 SHIELD- BRASS
- FINISH:**
 HOUSING- SMOKE GRAY
 CONTACT- 0.00127[0.00050] MIN NICKEL OVER ENTIRE PART, 0.00002[0.00001] GOLD FLASH OVER ENTIRE PART, 0.00127[0.00050] MIN GOLD OVER CONTACT AREA.
 SHIELD- BRIGHT TIN 0.00076[0.00030] MIN OVER 0.00127[0.00050] MIN NICKEL.
- FOR TERMINATION OF CABLE WHOSE INDIVIDUAL CONDUCTORS HAVE AN INSULATION DIA OF 0.91[0.036] NOMINAL.
- INSERTION DEPTH INTO RECEPTACLE.
- FOR TERMINATION OF 26 OR 28 AWG, 7 STRANDED, FLAT RIBBON CABLE WITH 0.89[0.035] TO 0.96[0.038] O.D. PVC CONDUCTOR INSULATION. SEE 520822-1 FOR DETAIL.

OBSOLETE	21.95	14.60	15.54	14.43	8	E	5-1761187-3
	[.864]	[.575]	[.612]	[.568]			
	16.87	9.53	10.46	9.35	4	E	5-1761187-1
	16.87	9.53	10.46	9.35	4	D	4-1761187-1
	32.11	24.76	25.78	24.59	16	A	1-1761187-6
	16.87	9.53	10.46	9.35	4	A	1-1761187-1
	K	J	H	G	NO OF POSN	KEY ID	PART NUMBER

THIS DRAWING IS A CONTROLLED DOCUMENT.

DIMENSIONS: mm [INCHES]	TOLERANCES UNLESS OTHERWISE SPECIFIED:	0. PLC ± -	1. PLC ± -	2. PLC ± 0.25 [010]	3. PLC ± -	4. PLC ± -	ANGLES ± -
-------------------------	--	------------	------------	---------------------	------------	------------	------------

DIN E	26APR04	McMASTER	
CHK	26APR04	ROHDE	
APPD	26APR04	WALMSLEY	

Tyco Electronics Corporation
 Harrisburg, PA 17105-3608

NAME: PLUG ASSEMBLY, FLAT CABLE, 36 SERIES, SDL

PRODUCT SPEC: 108-2047

APPLICATION SPEC: 114-2086

SIZE: A1

WEIGHT: -

CUSTOMER DRAWING

SCALE: 10:1

SHEET: 1 OF 1

REV: 03