



Chipsmall Limited consists of a professional team with an average of over 10 year of expertise in the distribution of electronic components. Based in Hongkong, we have already established firm and mutual-benefit business relationships with customers from,Europe,America and south Asia,supplying obsolete and hard-to-find components to meet their specific needs.

With the principle of “Quality Parts,Customers Priority,Honest Operation,and Considerate Service”,our business mainly focus on the distribution of electronic components. Line cards we deal with include Microchip,ALPS,ROHM,Xilinx,Pulse,ON,Everlight and Freescale. Main products comprise IC,Modules,Potentiometer,IC Socket,Relay,Connector.Our parts cover such applications as commercial,industrial, and automotives areas.

We are looking forward to setting up business relationship with you and hope to provide you with the best service and solution. Let us make a better world for our industry!



Contact us

Tel: +86-755-8981 8866 Fax: +86-755-8427 6832

Email & Skype: info@chipsmall.com Web: www.chipsmall.com

Address: A1208, Overseas Decoration Building, #122 Zhenhua RD., Futian, Shenzhen, China



4

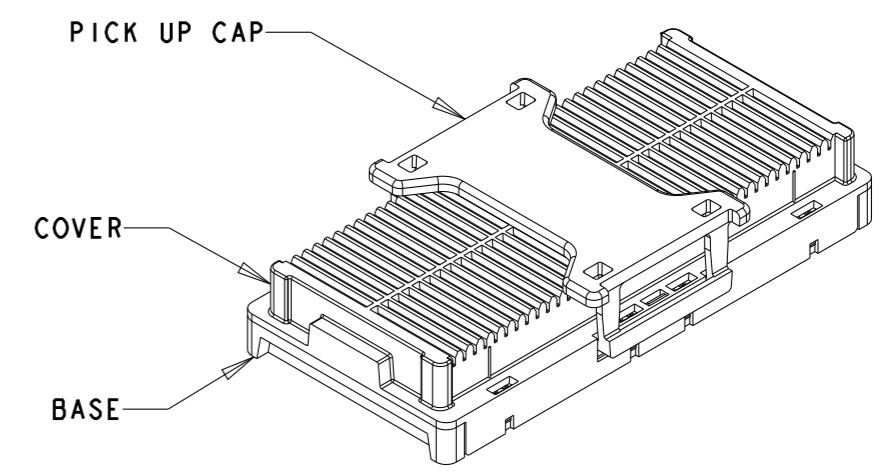
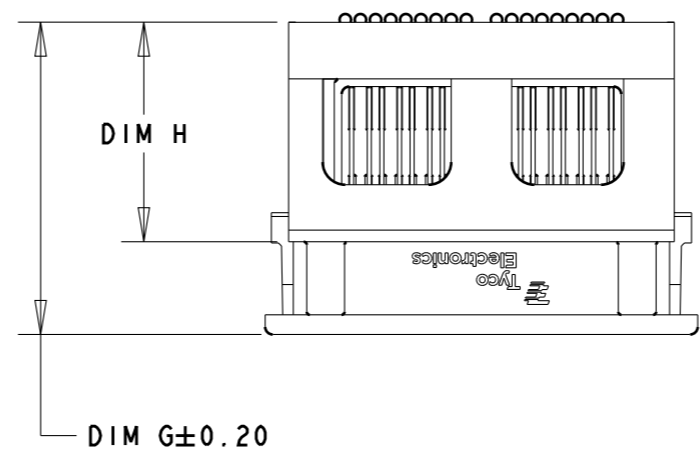
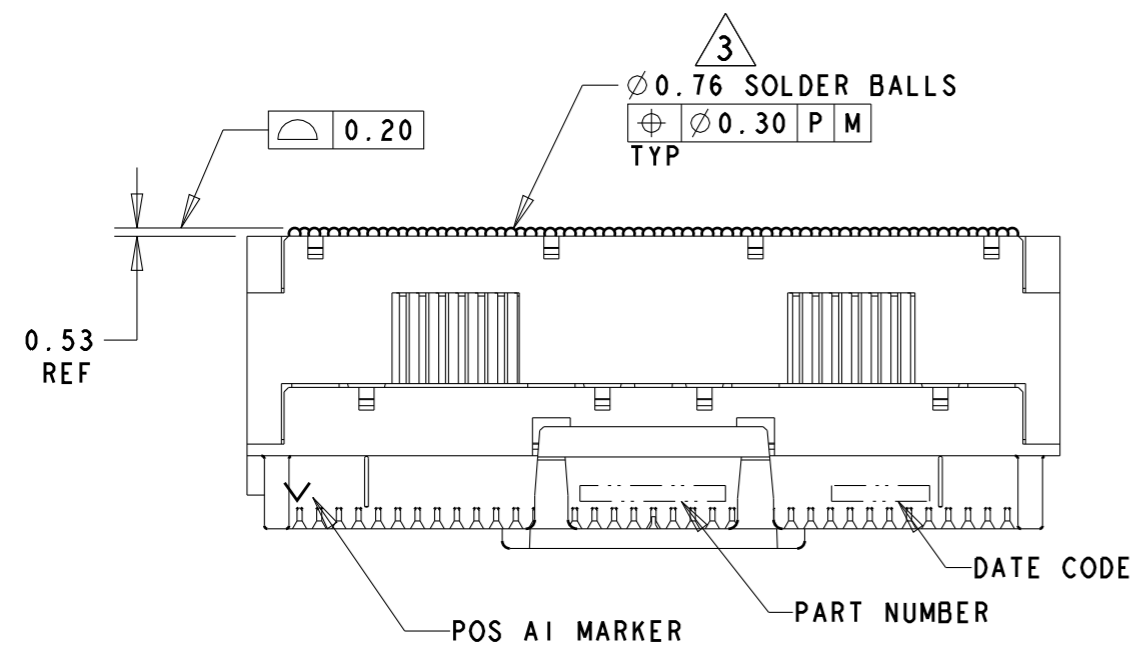
3

2

1

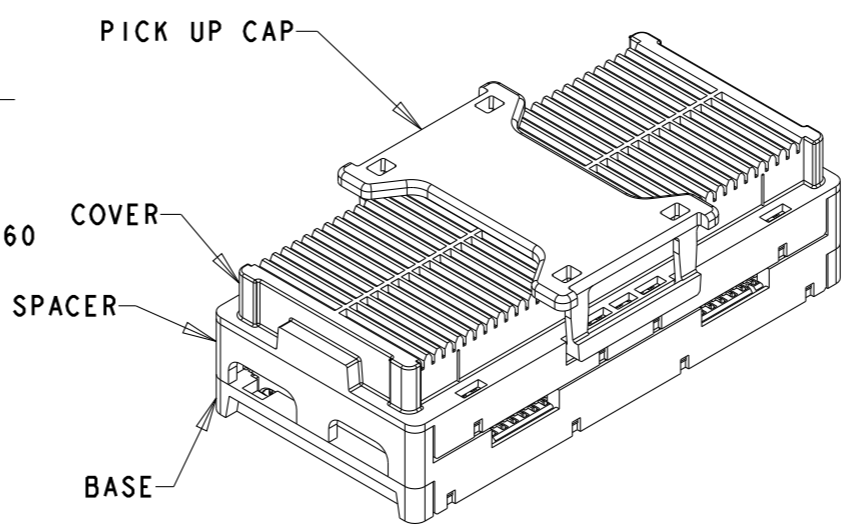
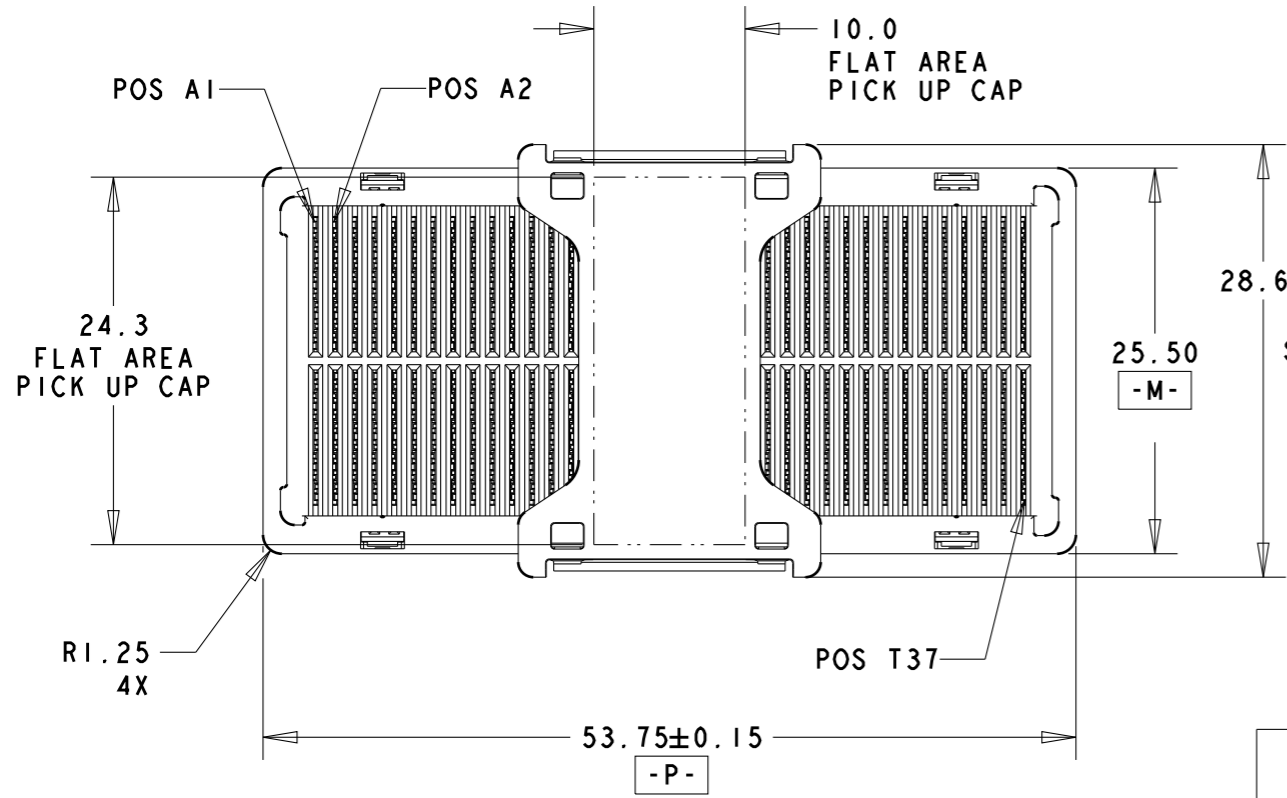
THIS DRAWING IS UNPUBLISHED. RELEASED FOR PUBLICATION 20
© COPYRIGHT 20 BY TYCO ELECTRONICS CORPORATION, ALL RIGHTS RESERVED.

LOC DY	DIST -	REVISIONS		
P	LTR	DESCRIPTION	DATE	DWN
	B4	REVISED PER ECR-10-013879	01JUL2010	SYJ
				APVD LSF

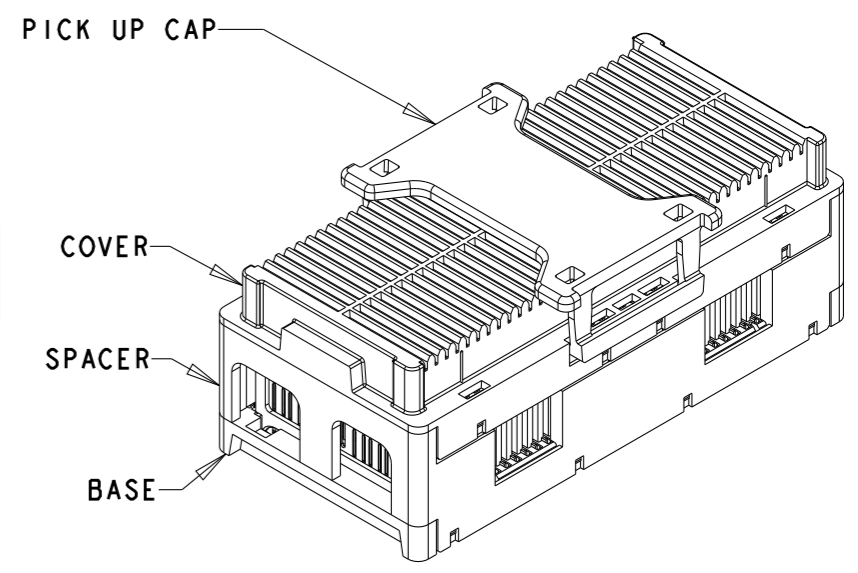


TYPICAL ASSEMBLY
15mm SHOWN
SCALE 2:1

ISOMETRIC VIEW
TYPICAL CONFIGURATION
FOR 5mm ASSEMBLY
SCALE 3:2



ISOMETRIC VIEW
TYPICAL CONFIGURATION
FOR 11mm ASSEMBLY
SCALE 3:2



ISOMETRIC VIEW
TYPICAL CONFIGURATION
FOR 15mm ASSEMBLY
SCALE 3:2

THIS DRAWING IS A CONTROLLED DOCUMENT FOR TYCO ELECTRONICS CORPORATION IT IS SUBJECT TO CHANGE AND THE CONTROLLING ENGINEERING ORGANIZATION SHOULD BE CONTACTED FOR THE LATEST REVISION.		DWN P BRANDBERG 11 JAN05	Tyco Electronics Singapore	
DIMENSIONS: mm		CHK D WERTZ 12 JAN05	NAME STEP-Z RECEPTACLE ASSEMBLY, 296 SIGNAL POSITION	
TOLERANCES UNLESS OTHERWISE SPECIFIED:		APVD D WERTZ 12 JAN05	PRODUCT SPEC 108-2143	RESTRICTED TO
0 PLC ± 1 PLC ±0.3 2 PLC ±0.10 3 PLC ±0.050 4 PLC ± ANGLES ±2°		FINISH	APPLICATION SPEC 114-13101	SIZE A3
MATERIAL 1	FINISH 2	WEIGHT	DRAWING NO C-1761617	CAGE CODE 300779
CUSTOMER DRAWING		SCALE	SHEET 1 OF 4	REV B4

THIS DRAWING IS UNPUBLISHED.

RELEASED FOR PUBLICATION

20

© COPYRIGHT 20

BY TYCO ELECTRONICS CORPORATION, ALL RIGHTS RESERVED.

LOC	DIST	REVISIONS			
P	LTR	DESCRIPTION	DATE	DWN	APVD
-	-	SEE SHEET 1	-	-	-

1 MATERIAL:
 BASE, SPACER, COVER: THERMOPLASTIC
 PICK UP CAP: THERMOPLASTIC
 CONTACT: COPPER ALLOY
 SOLDER BALL: Sn/Pb FOR P/N 1761617-1 THRU 5-1761617-0
 Sn/Ag FOR P/N 5-1761617-1 THRU 9-1761617-9

2 FINISH:
 CONTACT: 0.00076 MIN GOLD OVER 0.00127 MIN NICKEL.
 (30µ" MIN GOLD OVER 50µ" MIN NICKEL)


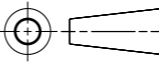
3 SOLDER BALLS WILL NOT BE PERFECT
 SPHERICAL SHAPE DUE TO REFLOW ATTACHMENT.

4 CONTACTS IN ROWS A,C,E,G,J,K,M,P,R, AND T
 ARE SINGLE BEAM CONTACTS,
 TYPICALLY USED AS GROUND PINS.
 (NOTE: CONTACTS IN ROWS J & K ARE TIED
 TOGETHER [COMMONED]).

5 CONTACTS IN ROWS B,D,F,H,L,N,O, AND S
 ARE DUAL BEAM CONTACTS,
 TYPICALLY USED AS SIGNAL PINS.

6 SPECIFIED POSITIONAL TOLERANCE DEFINES PAD TO PAD
 LOCATION WITHIN LAND PATTERN. POSITIONAL TOLERANCE
 OF LAND PATTERN TO FUDICIAL MARKS OR PCB DATUMS
 SHALL BE DEFINED BY CUSTOMER. FOR RECOMMENDED
 PRODUCT APPLICATION AND PCB DESIGN DETAILS, SEE
 APPLICATION SPEC 114-13101.

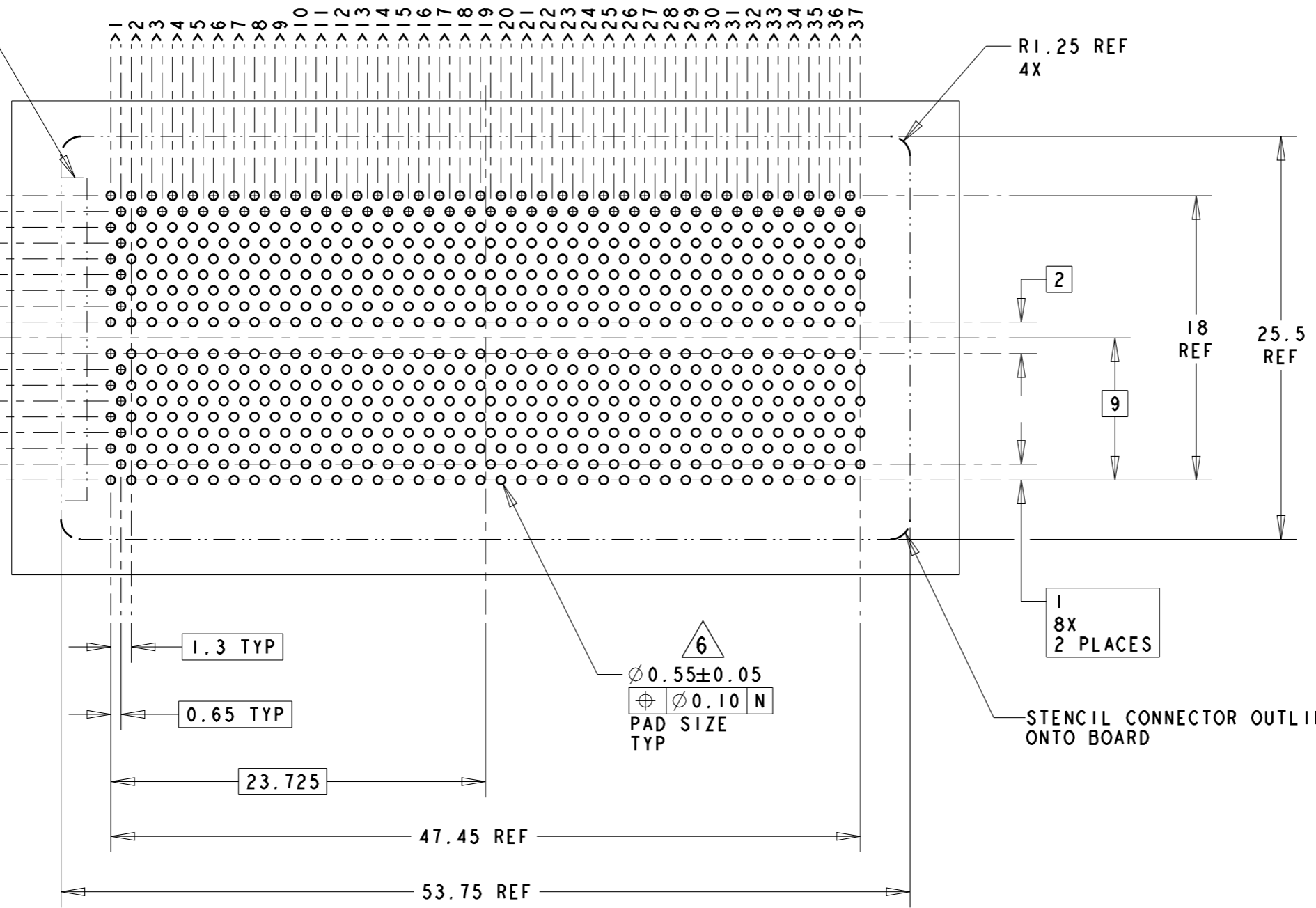
DIM H	DIM G	LOAD STYLE	DESCRIPTION	PART NUMBER
14.51	20.65	-	15mm Sn/Ag	6-1761617-5
10.51	16.65	-	11mm Sn/Ag	6-1761617-1
4.51	10.65	-	5mm Sn/Ag	5-1761617-5
14.51	20.65	-	15mm Sn/Pb	1-1761617-5
10.51	16.65	-	11mm Sn/Pb	1-1761617-1
4.51	10.65	-	5mm Sn/Pb	1761617-5

<small>THIS DRAWING IS A CONTROLLED DOCUMENT FOR TYCO ELECTRONICS CORPORATION IT IS SUBJECT TO CHANGE AND THE CONTROLLING ENGINEERING ORGANIZATION SHOULD BE CONTACTED FOR THE LATEST REVISION.</small>		DWN P BRANDBERG 11 JAN05 CHK D WERTZ 12 JAN05 APVD D WERTZ 12 JAN05		 Tyco Electronics Singapore	
DIMENSIONS: mm		TOLERANCES UNLESS OTHERWISE SPECIFIED: 0 PLC ±. 1 PLC ±0.3 2 PLC ±0.10 3 PLC ±0.050 4 PLC ±. ANGLES ±2°		NAME STEP-Z RECEPTACLE ASSEMBLY, 296 SIGNAL POSITION	
		MATERIAL - FINISH -		SIZE A3 CAGE CODE 00779 DRAWING NO C-1761617 RESTRICTED TO -	
CUSTOMER DRAWING				SCALE - SHEET 2 OF 4 REV B4	

THIS DRAWING IS UNPUBLISHED. RELEASED FOR PUBLICATION 20
 © COPYRIGHT 20 BY TYCO ELECTRONICS CORPORATION, ALL RIGHTS RESERVED.

LOC	DIST	REVISIONS			
P	LTR	DESCRIPTION	DATE	DWN	APVD
DY	-	SEE SHEET 1	-	-	-

KEY ORIENTATION
SILK-SCREEN
(OPTIONAL)



4 5 BOARD PATTERN
SCALE 3:1

THIS DRAWING IS A CONTROLLED DOCUMENT FOR TYCO ELECTRONICS CORPORATION
IT IS SUBJECT TO CHANGE AND THE CONTROLLING ENGINEERING ORGANIZATION
SHOULD BE CONTACTED FOR THE LATEST REVISION.

DIMENSIONS:	TOLERANCES UNLESS OTHERWISE SPECIFIED:
mm	0 PLC ±0.3
	1 PLC ±0.10
	2 PLC ±0.050
	3 PLC ±
	4 PLC ±2°
MATERIAL	FINISH
-	-

DWN	P BRANDBERG	11 JAN 05
CHK	D WERTZ	12 JAN 05
APVD	D WERTZ	12 JAN 05
PRODUCT SPEC	-	-
APPLICATION SPEC	-	-
WEIGHT	-	-
CUSTOMER DRAWING		

		Tyco Electronics Singapore	
NAME STEP-Z RECEPTACLE ASSEMBLY, 296 SIGNAL POSITION			
SIZE	CAGE CODE	DRAWING NO	RESTRICTED TO
A3	00779	C-1761617	-
SCALE -		SHEET 3 OF 4	REV B4

THIS DRAWING IS UNPUBLISHED.

RELEASED FOR PUBLICATION

20

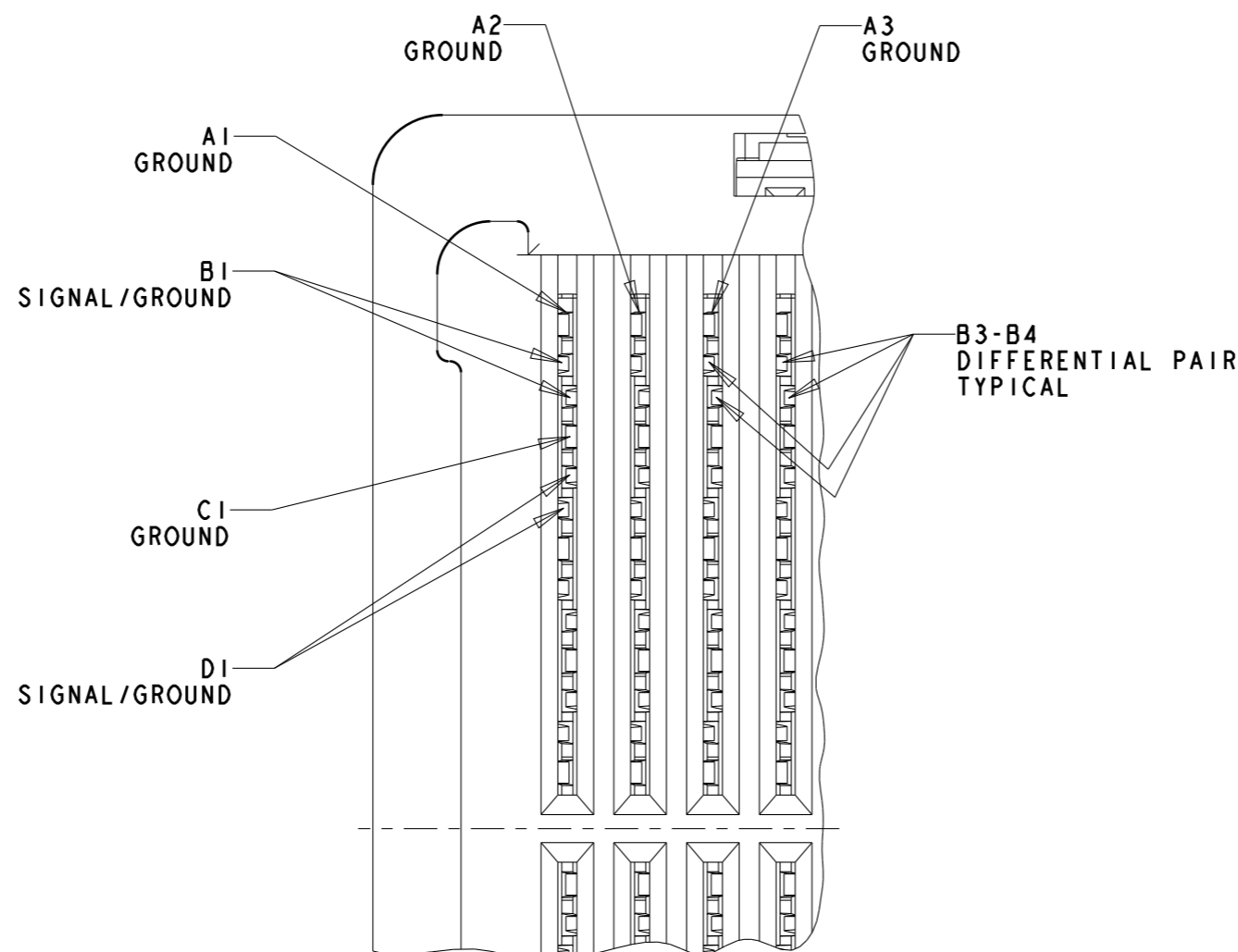
LOC
DY

DIST
-

REVISIONS

© COPYRIGHT 20 BY TYCO ELECTRONICS CORPORATION, ALL RIGHTS RESERVED.

P	LTR	DESCRIPTION	DATE	DWN	APVD
-	-	SEE SHEET 1	-	-	-



RECEPTACLE INTERFACE
SCALE 8:1

<small>THIS DRAWING IS A CONTROLLED DOCUMENT FOR TYCO ELECTRONICS CORPORATION IT IS SUBJECT TO CHANGE AND THE CONTROLLING ENGINEERING ORGANIZATION SHOULD BE CONTACTED FOR THE LATEST REVISION.</small>		DWN P BRANDBERG 11 JAN05 CHK D WERTZ 12 JAN05 APVD D WERTZ 12 JAN05		Tyco Electronics Singapore	
DIMENSIONS: mm		TOLERANCES UNLESS OTHERWISE SPECIFIED: 0 PLC ±0.3 1 PLC ±0.10 2 PLC ±0.050 3 PLC ±0.050 4 PLC ±0.050 ANGLES ±2°		NAME STEP-Z RECEPTACLE ASSEMBLY, 296 SIGNAL POSITION	
		MATERIAL - FINISH -		PRODUCT SPEC - APPLICATION SPEC - WEIGHT -	
		SIZE A3 CAGE CODE 00779 DRAWING NO C-1761617		RESTRICTED TO -	
CUSTOMER DRAWING		SCALE - SHEET 4 OF 4		REV B4	