



Chipsmall Limited consists of a professional team with an average of over 10 year of expertise in the distribution of electronic components. Based in Hongkong, we have already established firm and mutual-benefit business relationships with customers from,Europe,America and south Asia,supplying obsolete and hard-to-find components to meet their specific needs.

With the principle of "Quality Parts,Customers Priority,Honest Operation,and Considerate Service",our business mainly focus on the distribution of electronic components. Line cards we deal with include Microchip,ALPS,ROHM,Xilinx,Pulse,ON,Everlight and Freescale. Main products comprise IC,Modules,Potentiometer,IC Socket,Relay,Connector.Our parts cover such applications as commercial,industrial, and automotives areas.

We are looking forward to setting up business relationship with you and hope to provide you with the best service and solution. Let us make a better world for our industry!



Contact us

Tel: +86-755-8981 8866 Fax: +86-755-8427 6832

Email & Skype: info@chipsmall.com Web: www.chipsmall.com

Address: A1208, Overseas Decoration Building, #122 Zhenhua RD., Futian, Shenzhen, China

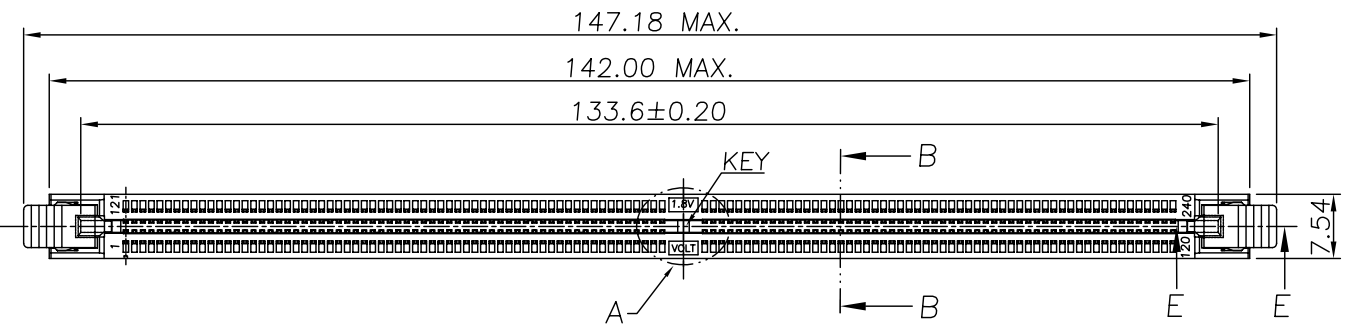


THIS DRAWING IS UNPUBLISHED. RELEASED FOR PUBLICATION AUG ,2006.

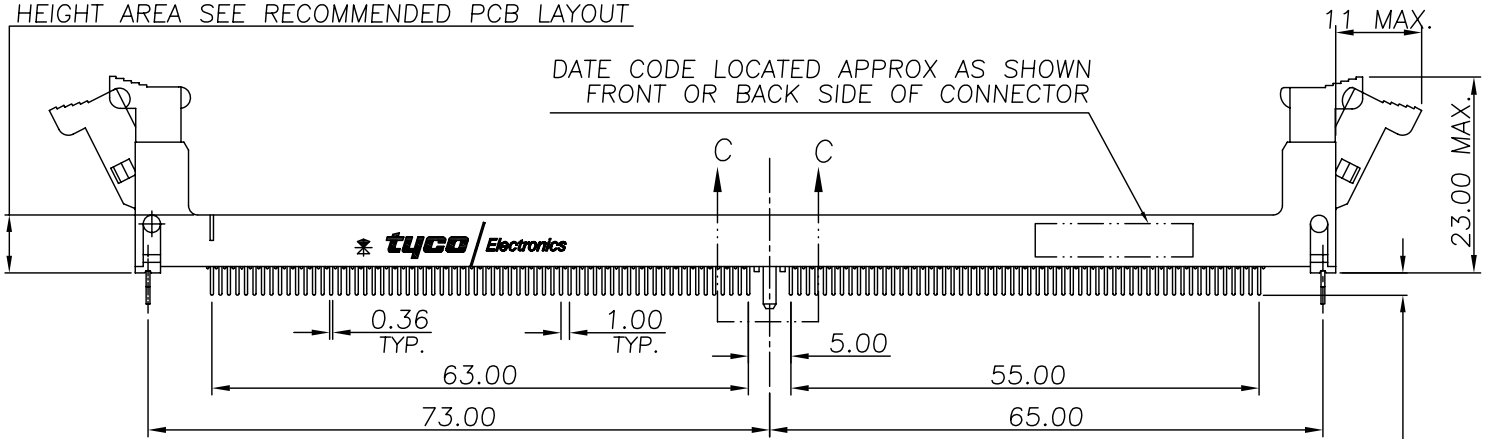
© COPYRIGHT BY TYCO ELECTRONICS CORPORATION. ALL RIGHTS RESERVED.

LOC	DIST	REVISIONS					
DW		P	LTR	DESCRIPTION	DATE	DWN	APVD
		G2		REVISED (ECR-08-030438)	02DEC'08	EL	WK

- NOTES:
- MATERIAL:
 - HOUSING: THERMOPLASTIC(PA46), UL94V-0; COLOR:SEE TABLE.
 - EXTRACTOR: THERMOPLASTIC, UL94V-0; COLOR:SEE TABLE.
 - CONTACTS: PHOSPHOR BRONZE
 - BOARDLOCK: BRASS
 - FINISH:
 - CONTACT:
 - GOLD PLATING ON CONTACT AREA,
 - 100μ" MIN. MATTE TIN PLATING ON SOLDER TAIL AREA,
 - 50μ" MIN. NICKEL UNDERPLATING OVERALL.
 - BOARDLOCK:
 - 100μ" MIN. MATTE TIN PLATING ON SOLDER TAILS.
 - 50μ" MIN. NICKEL UNDERPLATING OVERALL.
 - WAVE SOLDER CAPABLE TO 265°C PER TE SPEC. 109-202, CONDITION B.



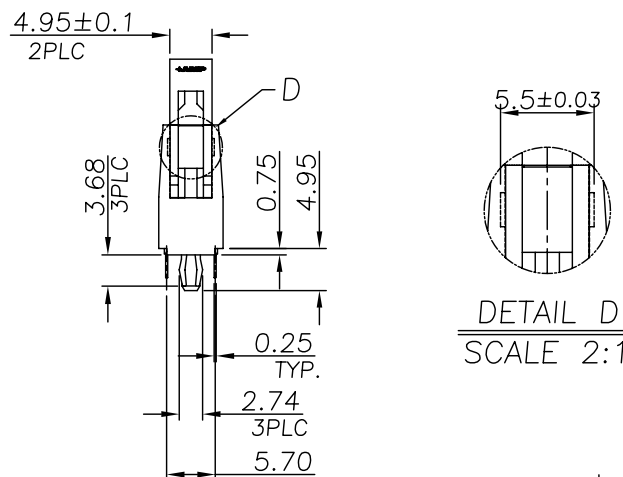
6.8 IN EXTRACTOR SHADOW MAX. COMPONENT HEIGHT AREA SEE RECOMMENDED PCB LAYOUT



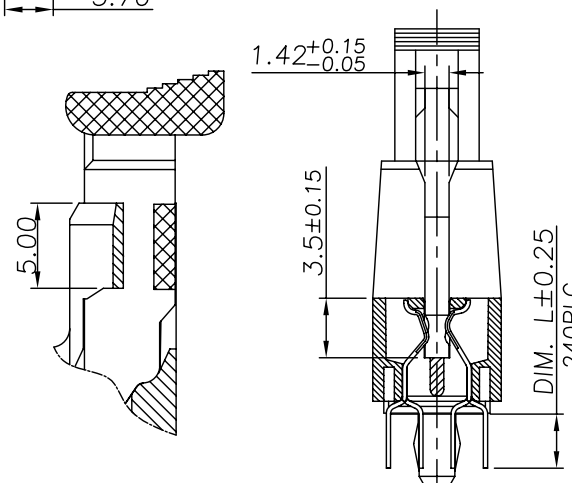
DATE CODE LOCATED APPROX AS SHOWN FRONT OR BACK SIDE OF CONNECTOR

tyco Electronics

2.67±0.25 FOR 1.6(.063")THK PCB
3.18±0.25 FOR 2.36(.093")THK PCB

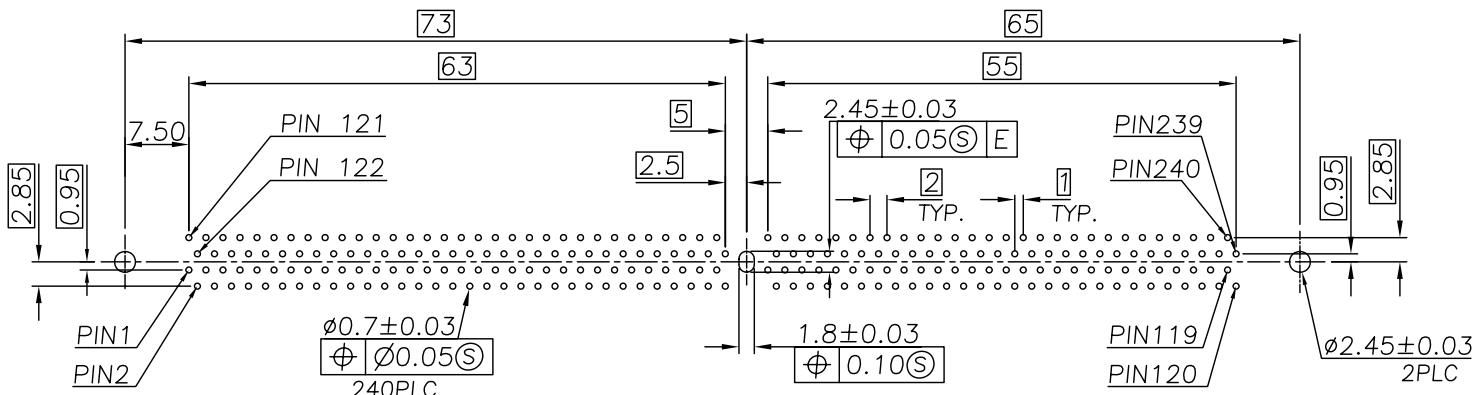


DETAIL D
SCALE 2:1

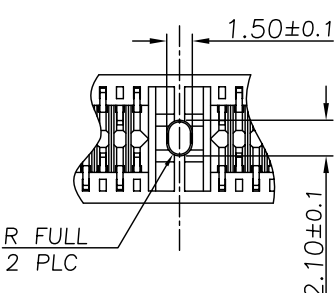


SECT E-E
SCALE 2:1

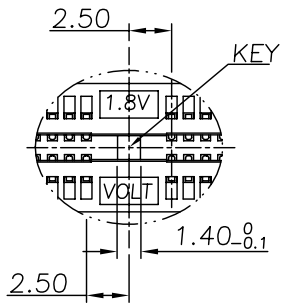
SECT B-B
SCALE 2:1



RECOMMENDED PCB LAYOUT



SECT C-C
SCALE 2:1



DETAIL A (1.8V)
SCALE 2:1

THIS DRAWING IS A CONTROLLED DOCUMENT.		DWN	S. HOU	24AUG2007	Tyco Electronics Corporation Taipei, Taiwan
DIMENSIONS: MM		CHK	W.J. KE	24AUG2007	
TOLERANCES UNLESS OTHERWISE SPECIFIED:		APVD	W.J. KE	24AUG2007	NAME DDRII 240PIN SOCKET CONNECTOR
0 PLC ± -		PRODUCT SPEC		108-57376	
1 PLC ± 0.3		QUALIFICATION TEST REPORT		501-57407	
2 PLC ± 0.2		WEIGHT		9.4 GRAMS	
3 PLC ± -		CUSTOMER DRAWING			
4 PLC ± -		SCALE			
ANGLES ± 3'		SHEET		1 OF 3	
MATERIAL SEE NOTE		FINISH SEE NOTE		REV G2	

4

3

2

1

THIS DRAWING IS UNPUBLISHED.

RELEASED FOR PUBLICATION

AUG ,2006.

© COPYRIGHT BY TYCO ELECTRONICS CORPORATION. ALL RIGHTS RESERVED.

LOC

DIST

REVISIONS

DW

P

LTR

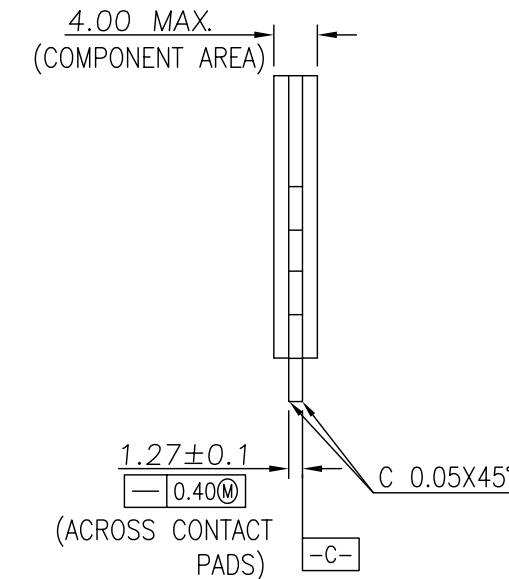
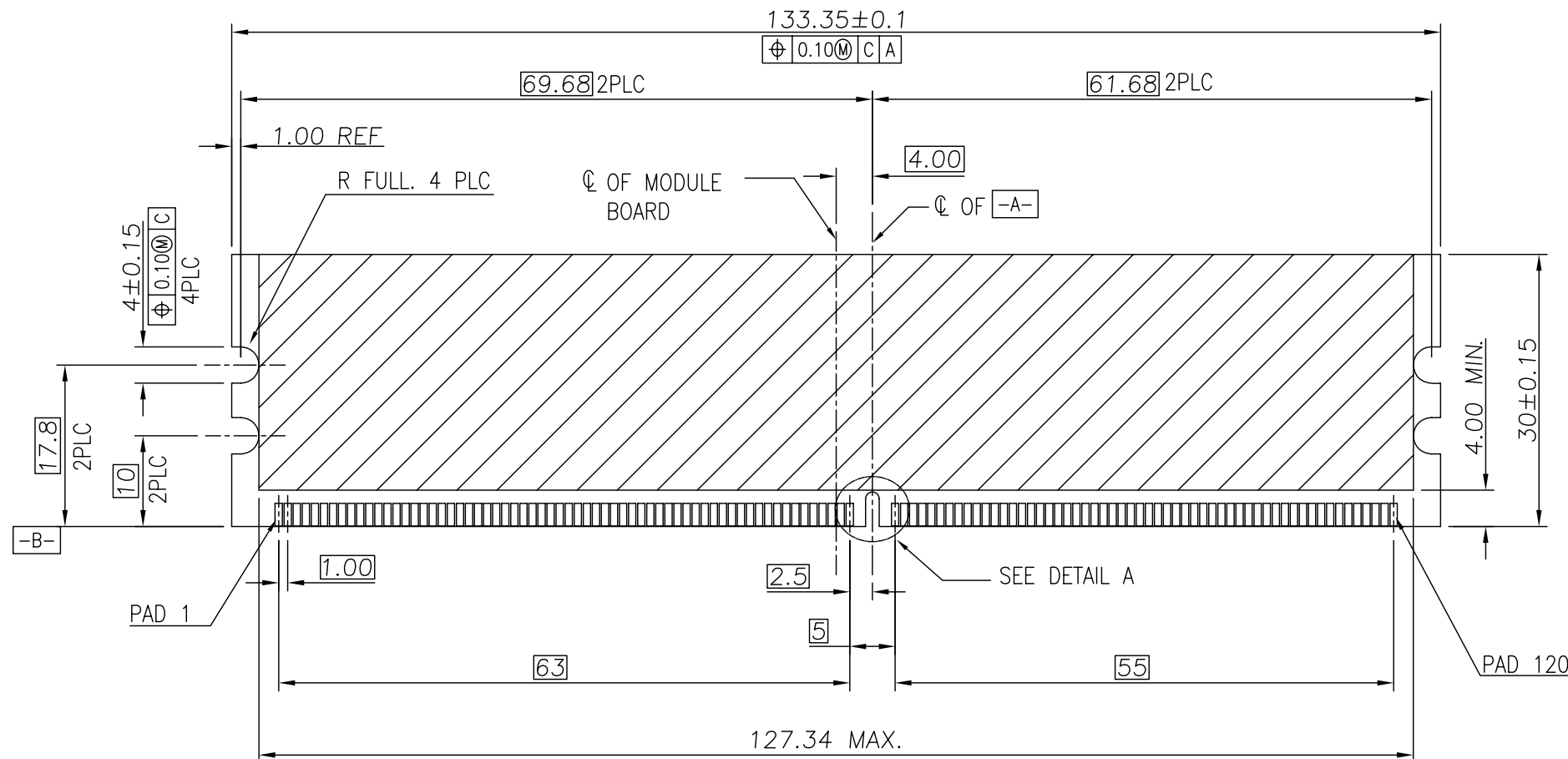
DESCRIPTION

DATE

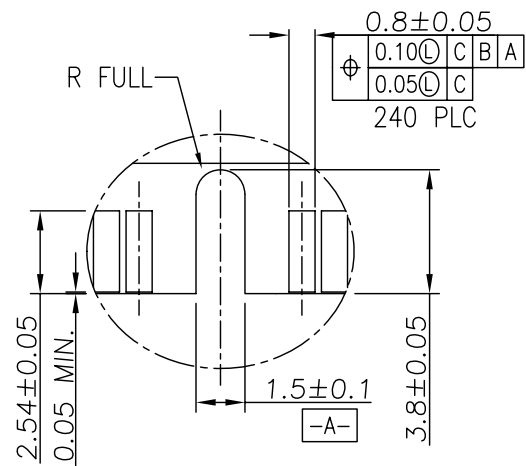
DWN

APVD

SEE SHEET 1



PLUG COMPONENT:DDR II 240P FUNCTION CARD



DETAIL A
SCALE 3:1 (1.8V)

THIS DRAWING IS A CONTROLLED DOCUMENT.		DWN		Tyco Electronics Corporation Taipei, Taiwan	
DIMENSIONS: MM		TOLERANCES UNLESS OTHERWISE SPECIFIED:		NAME	
0 PLC ± 0.1		1 PLC ± 0.05		PRODUCT SPEC	
2 PLC ± 0.02		3 PLC ± 0.005		QUALIFICATION TEST REPORT	
4 PLC ± -		ANGLES ± 0.5°		SIZE	
MATERIAL		FINISH		CAGE CODE	
SEE NOTE		SEE NOTE		DRAWING NO	
				RESTRICTED TO	
				A3 00779 C-1775802	
		CUSTOMER DRAWING		SCALE	
				SHEET 2 of 3	
				REV G2	

THIS DRAWING IS UNPUBLISHED.

RELEASED FOR PUBLICATION

AUG ,2006.

© COPYRIGHT BY TYCO ELECTRONICS CORPORATION. ALL RIGHTS RESERVED.

LOC

DIST

REVISIONS

DW

P

LTR

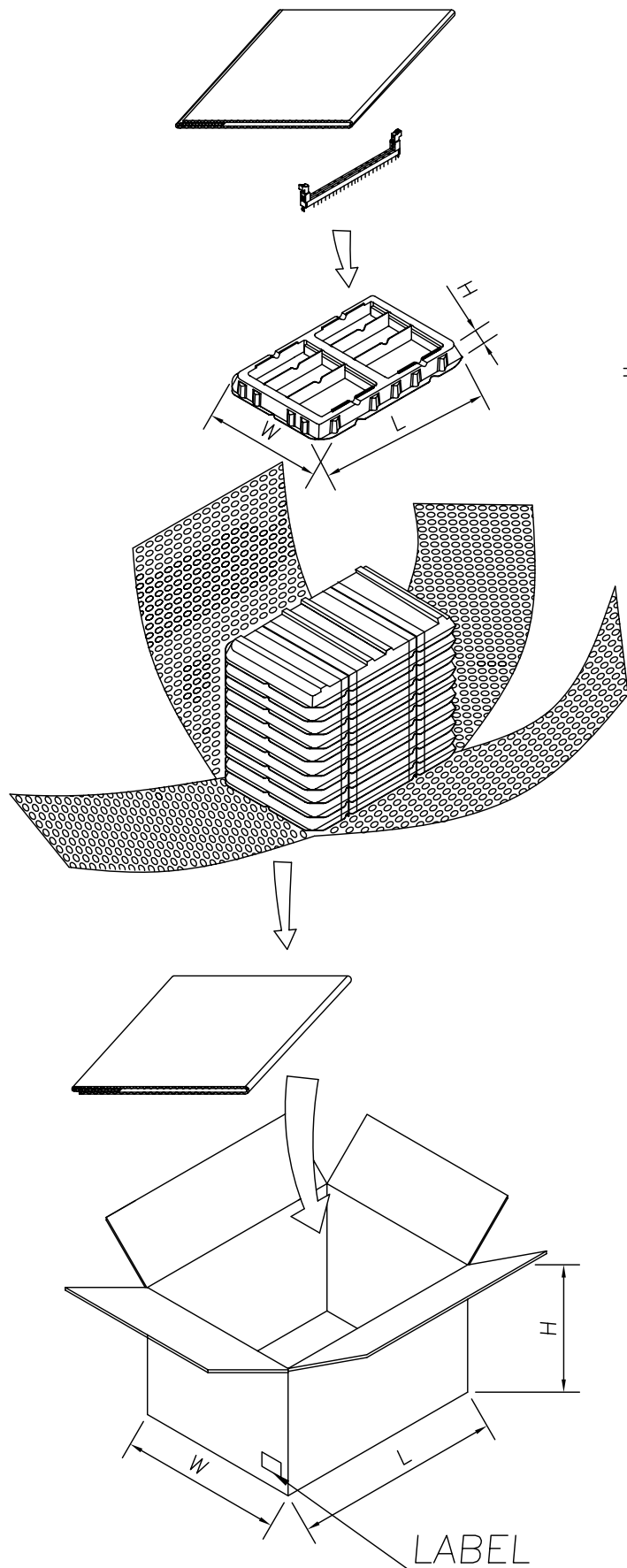
DESCRIPTION

DATE

DWN

APVD

SEE SHEET 1

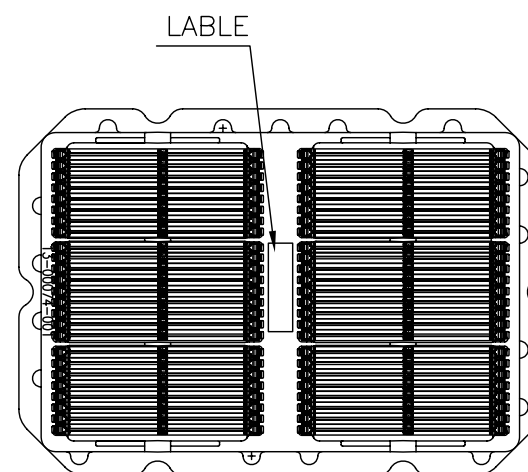


TRAY

SHIPPING BOX

NOTES :

- 1. DIMENSION :
 - 1.1 TRAY: L=363, W=255, H=33
 - 1.1 SHIPPING BOX: L=380, W=270, H=340
- 2. QUANTITY :
 - 2.1 PRIMARY PACKING: 50 PCS/TRAY
 - 2.2 SECONDARY PACKING: 10 TRAYS/BOX(500PCS)
- 3. WEIGHT :
 - 3.1 NET WEIGHT : 4.7Kg
 - 3.2 GROSS WEIGHT : 6.95Kg



TRAY LAYOUT

THIS DRAWING IS A CONTROLLED DOCUMENT.		DWN		Tyco Electronics Corporation Taipei, Taiwan	
DIMENSIONS: MM		TOLERANCES UNLESS OTHERWISE SPECIFIED:		NAME	
<ul style="list-style-type: none"> 0 PLC ± - 1 PLC ± - 2 PLC ± - 3 PLC ± - 4 PLC ± - ANGLES ± - 		<ul style="list-style-type: none"> CHK APVD PRODUCT SPEC QUALIFICATION TEST REPORT 		DDRII 240PIN SOCKET CONNECTOR	
MATERIAL SEE NOTE		FINISH SEE NOTE		SIZE: A3 CAGE CODE: 00779 DRAWING NO: C=1775802 RESTRICTED TO:	
		WEIGHT		SCALE	
		CUSTOMER DRAWING		SHEET 3 of 3 REV G2	