



Chipsmall Limited consists of a professional team with an average of over 10 year of expertise in the distribution of electronic components. Based in Hongkong, we have already established firm and mutual-benefit business relationships with customers from,Europe,America and south Asia,supplying obsolete and hard-to-find components to meet their specific needs.

With the principle of “Quality Parts,Customers Priority,Honest Operation,and Considerate Service”,our business mainly focus on the distribution of electronic components. Line cards we deal with include Microchip,ALPS,ROHM,Xilinx,Pulse,ON,Everlight and Freescale. Main products comprise IC,Modules,Potentiometer,IC Socket,Relay,Connector.Our parts cover such applications as commercial,industrial, and automotives areas.

We are looking forward to setting up business relationship with you and hope to provide you with the best service and solution. Let us make a better world for our industry!



Contact us

Tel: +86-755-8981 8866 Fax: +86-755-8427 6832

Email & Skype: info@chipsmall.com Web: www.chipsmall.com

Address: A1208, Overseas Decoration Building, #122 Zhenhua RD., Futian, Shenzhen, China

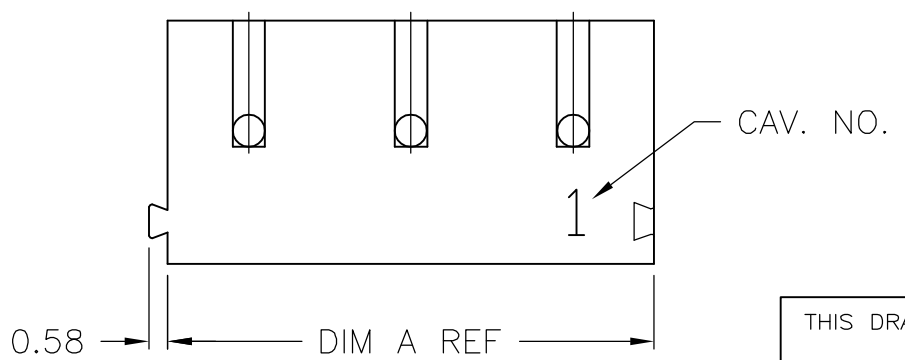
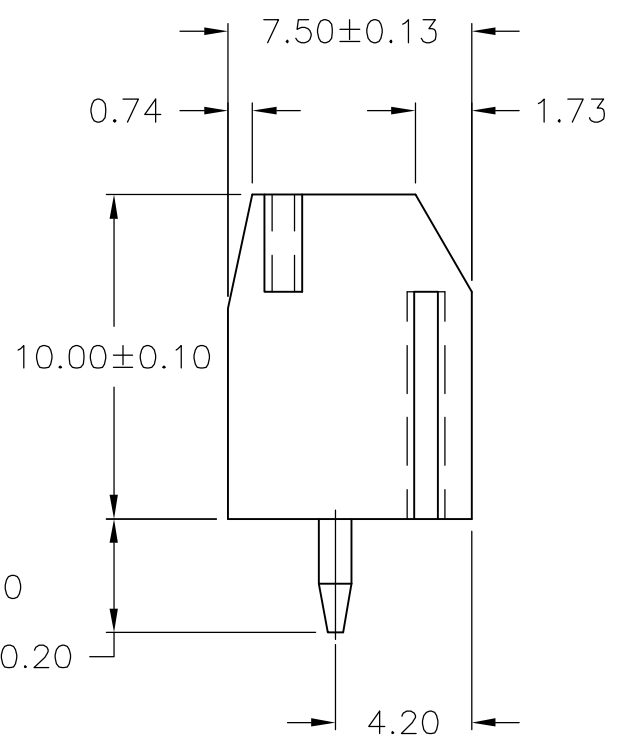
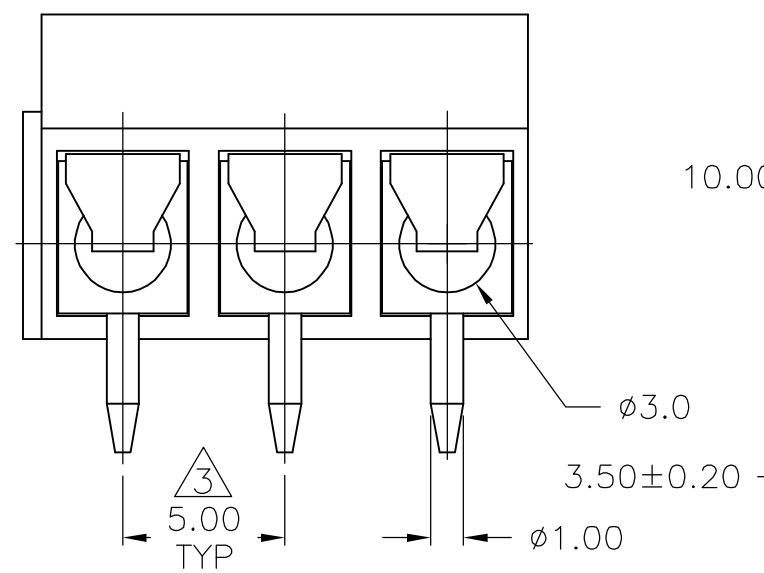
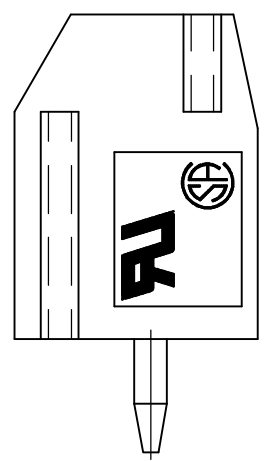
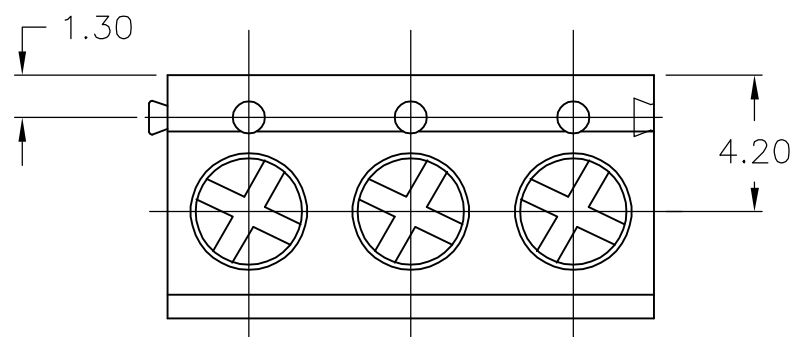


THIS DRAWING IS UNPUBLISHED. RELEASED FOR PUBLICATION
 © COPYRIGHT BY TYCO ELECTRONICS CORPORATION. ALL RIGHTS RESERVED.

LOC	DIST	REVISIONS					
FT	0	P	LTR	DESCRIPTION	DATE	DWN	APVD
			03	REVISED PER ECO-06-14755	6/26/06	SS	CR

1. RECOMMENDED PC-BOARD-HOLES DIAMETER: $\phi 1.20\text{mm}$ TO $\phi 1.40\text{mm}$.
2. BUCHANAN LOGO TO APPEAR ON HOUSING LOCATION OPTIONAL WHERE SPACE PERMITS.

$\triangle 3$ NON CUMULATIVE.



DIM. A	NO. OF POS.	PART NUMBER
120.00	24	2-1776269-4
115.00	23	2-1776269-3
110.00	22	2-1776269-2
105.00	21	2-1776269-1
100.00	20	2-1776269-0
95.00	19	1-1776269-9
90.00	18	1-1776269-8
85.00	17	1-1776269-7
80.00	16	1-1776269-6
75.00	15	1-1776269-5
70.00	14	1-1776269-4
65.00	13	1-1776269-3
60.00	12	1-1776269-2
55.00	11	1-1776269-1
50.00	10	1-1776269-0
45.00	9	1776269-9
40.00	8	1776269-8
35.00	7	1776269-7
30.00	6	1776269-6
25.00	5	1776269-5
20.00	4	1776269-4
15.00	3	1776269-3
10.00	2	1776269-2

THIS DRAWING IS A CONTROLLED DOCUMENT.		DWN	S SCHLEGEL	5/6/05	tyco Electronics	Tyco Electronics Corporation Harrisburg, Pa 17105-3608			
DIMENSIONS: mm		CHK	C RICHARD	5/6/05		NAME	TERMINAL BLOCK PCB MOUNT, STRAIGHT SIDE WIRE ENTRY, LOW PROFILE w/3.5mm pins W/ INTERLOCK 5.00mm PITCH, HIGH TEMP		
TOLERANCES UNLESS OTHERWISE SPECIFIED:		APVD	C RICHARD	5/6/05	PRODUCT SPEC	SIZE	CAGE CODE	DRAWING NO	RESTRICTED TO
0 PLC ± -		APPLICATION SPEC		-		A3 00779		C=1776269	-
1 PLC ± 0.3		WEIGHT		-		CUSTOMER DRAWING		SCALE	NTS
2 PLC ± 0.25		MATERIAL		-		SHEET		1 OF 2	REV
3 PLC ± -		FINISH		-		REV		03	
4 PLC ± -									
ANGLES ± -									

THIS DRAWING IS UNPUBLISHED. RELEASED FOR PUBLICATION
 © COPYRIGHT - BY TYCO ELECTRONICS CORPORATION. ALL RIGHTS RESERVED.

LOC	DIST	REVISIONS			
P	LTR	DESCRIPTION	DATE	DWN	APVD
FT	0	SEE SHEET 1	-	-	-

1. Application and Features:

- 1-1. Standard sizes are 2 and 3 way-blocks, but every number of contact can be combined, by simply plugging them together and can be ordered as required**
- 1-2. With wire guard for wire protection (for that the screw doesn't press directly on the wire)

2-3. Mechanical:

- 2-3-1. Torque: 4 Kg.cm (Max).
- 2-3-2. Operating temperature: -55°C to +105°C.
- 2-3-3. Solderability: 95% coverage (min).

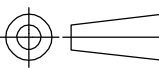
2. Technical Data:

2-1. Material:

- 2-1-1. HOUSING: NYLON 6.6, UL 94 V-0, (BLACK).
- 2-1-2. Metal Housing: Brass(Cu Zn)
Cu,Tin plated.
- 2-1-3. Wire guard: Stainless steel.
- 2-1-4. Screw: Steel galvanized and chromitized, M2.6

2-2. Electrical:

- 2-2-1. Current rating: 10 Amps/way max.
- 2-2-2. Contact resistance: 20mΩ (Max).
- 2-2-3. Insulation resistance: 5000MΩ /1000V.
- 2-2-4. Withstanding Voltage: 1500VAC (1min).
- 2-2-5. Operation Voltage: 300 VAC.
- 2-2-6. Wire Range: 14-22 AWG.

THIS DRAWING IS A CONTROLLED DOCUMENT.		DWN S SCHLEGEL	5/6/05	tyco Tyco Electronics Corporation	
		CHK C RICHARD	5/6/05	Electronics Harrisburg, Pa 17105-3608	
		APVD C RICHARD	5/6/05	NAME TERMINAL BLOCK PCB MOUNT, STRAIGHT SIDE WIRE ENTRY, LOW PROFILE w/3.5mm pins W/ INTERLOCK 5.00mm PITCH, HIGH TEMP	
DIMENSIONS: mm	TOLERANCES UNLESS OTHERWISE SPECIFIED:	PRODUCT SPEC		SIZE	CAGE CODE
	0 PLC ± - 1 PLC ± 0.3 2 PLC ± 0.25 3 PLC ± - 4 PLC ± - ANGLES ± -	APPLICATION SPEC		DRAWING NO	RESTRICTED TO
MATERIAL	FINISH	WEIGHT		A3	00779
-	-	-		C-1776269	
CUSTOMER DRAWING				SCALE	SHEET
				NTS	2 OF 2
				REV	03