



Chipsmall Limited consists of a professional team with an average of over 10 year of expertise in the distribution of electronic components. Based in Hongkong, we have already established firm and mutual-benefit business relationships with customers from,Europe,America and south Asia,supplying obsolete and hard-to-find components to meet their specific needs.

With the principle of “Quality Parts,Customers Priority,Honest Operation,and Considerate Service”,our business mainly focus on the distribution of electronic components. Line cards we deal with include Microchip,ALPS,ROHM,Xilinx,Pulse,ON,Everlight and Freescale. Main products comprise IC,Modules,Potentiometer,IC Socket,Relay,Connector.Our parts cover such applications as commercial,industrial, and automotives areas.

We are looking forward to setting up business relationship with you and hope to provide you with the best service and solution. Let us make a better world for our industry!



## Contact us

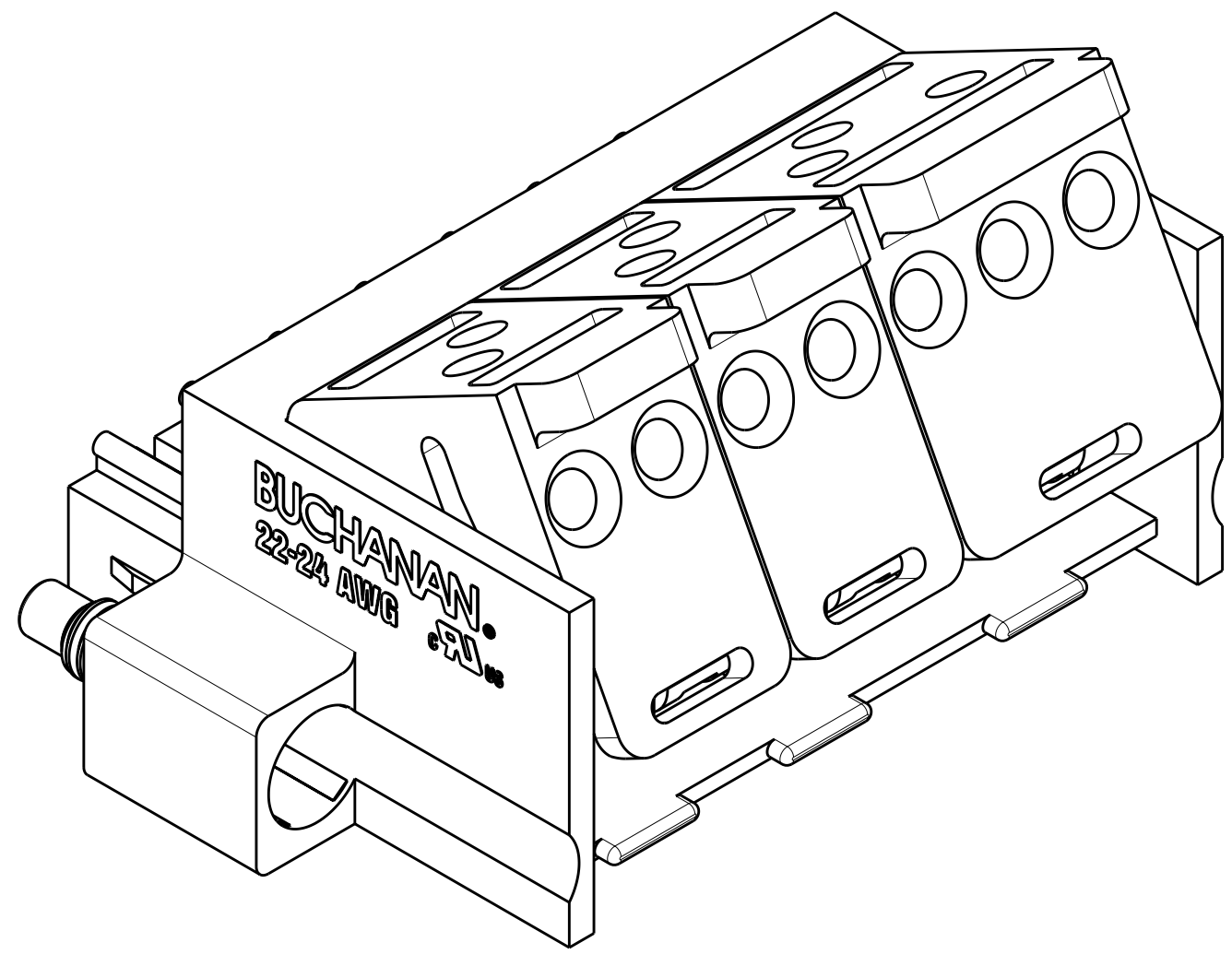
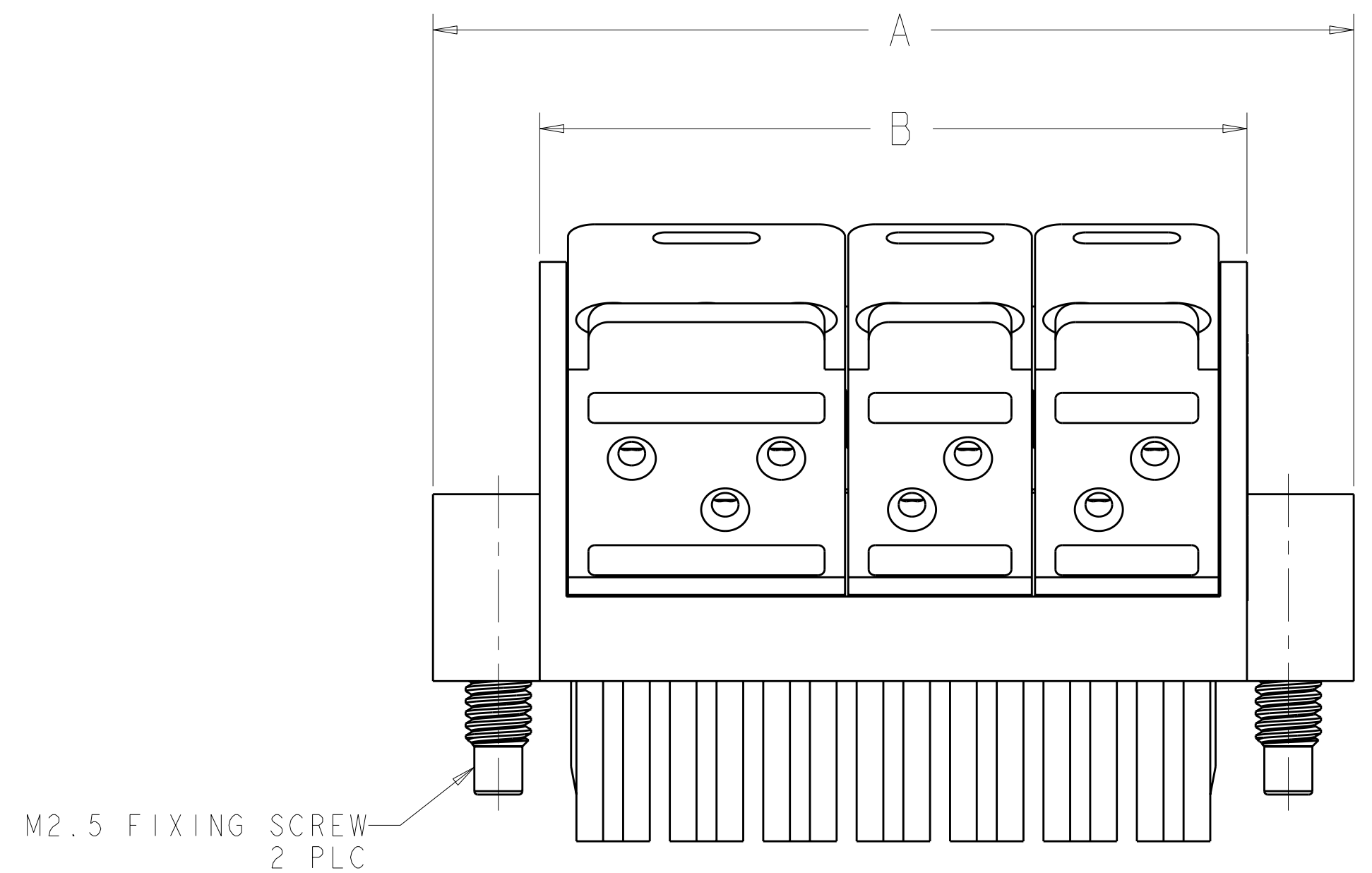
Tel: +86-755-8981 8866 Fax: +86-755-8427 6832

Email & Skype: info@chipsmall.com Web: www.chipsmall.com

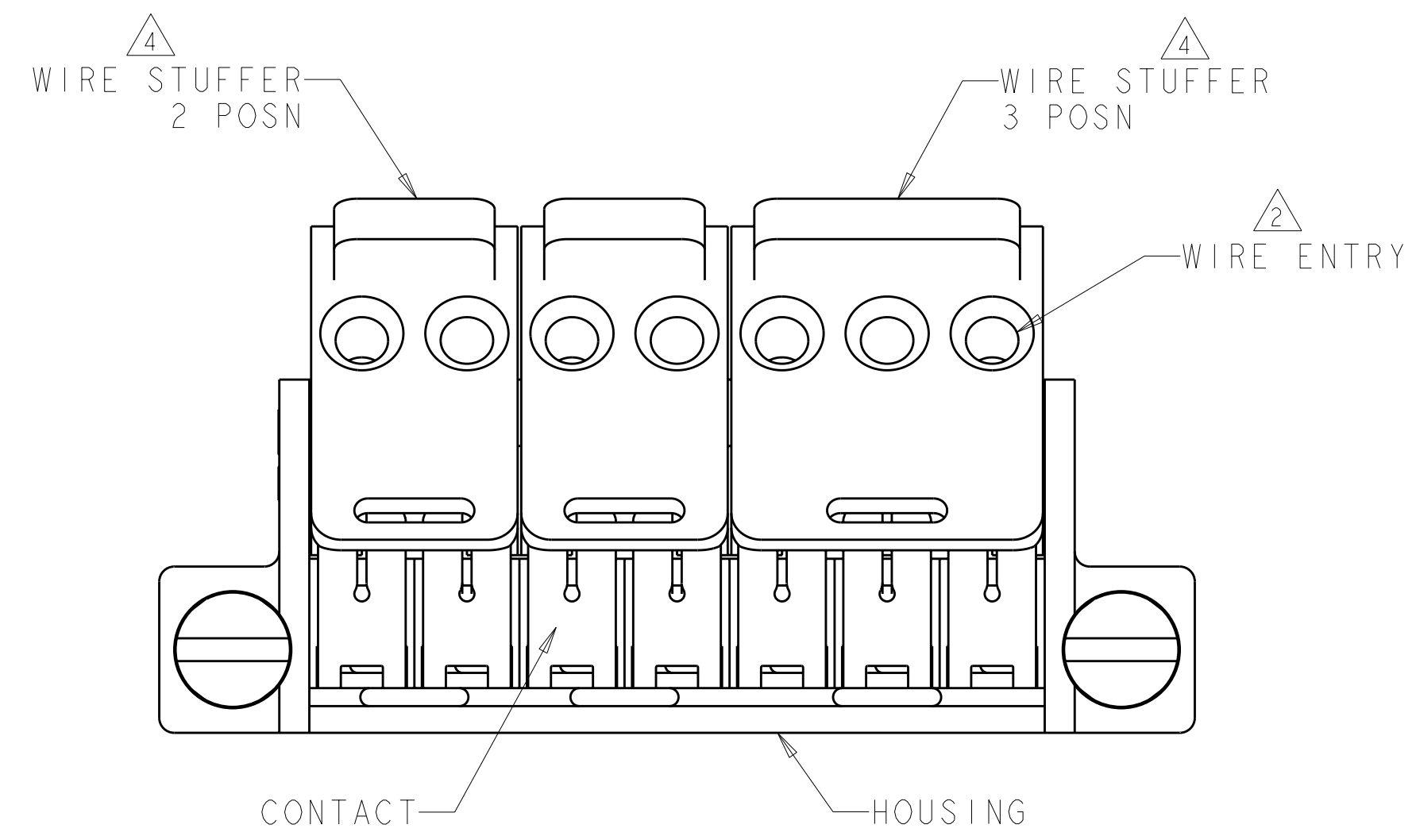
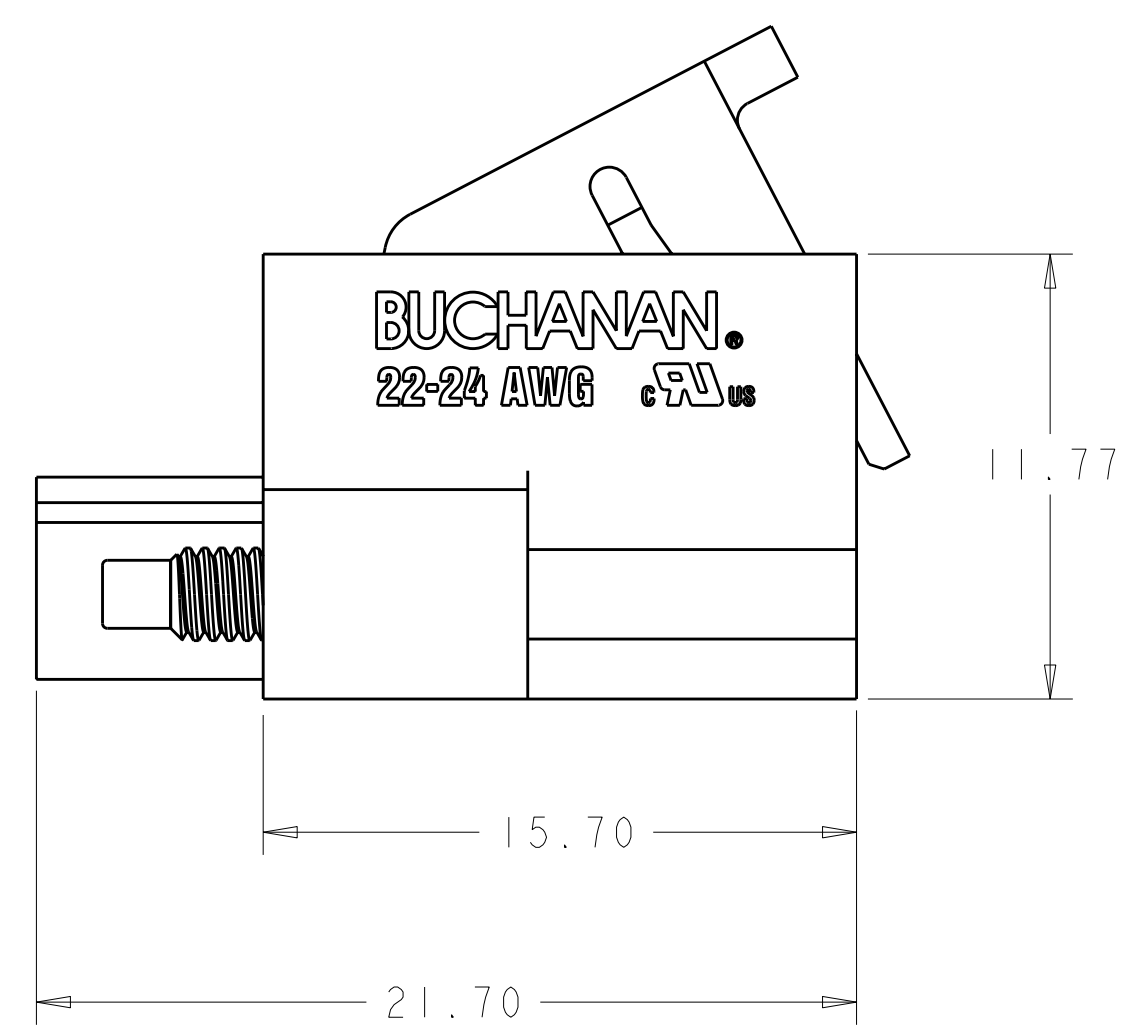
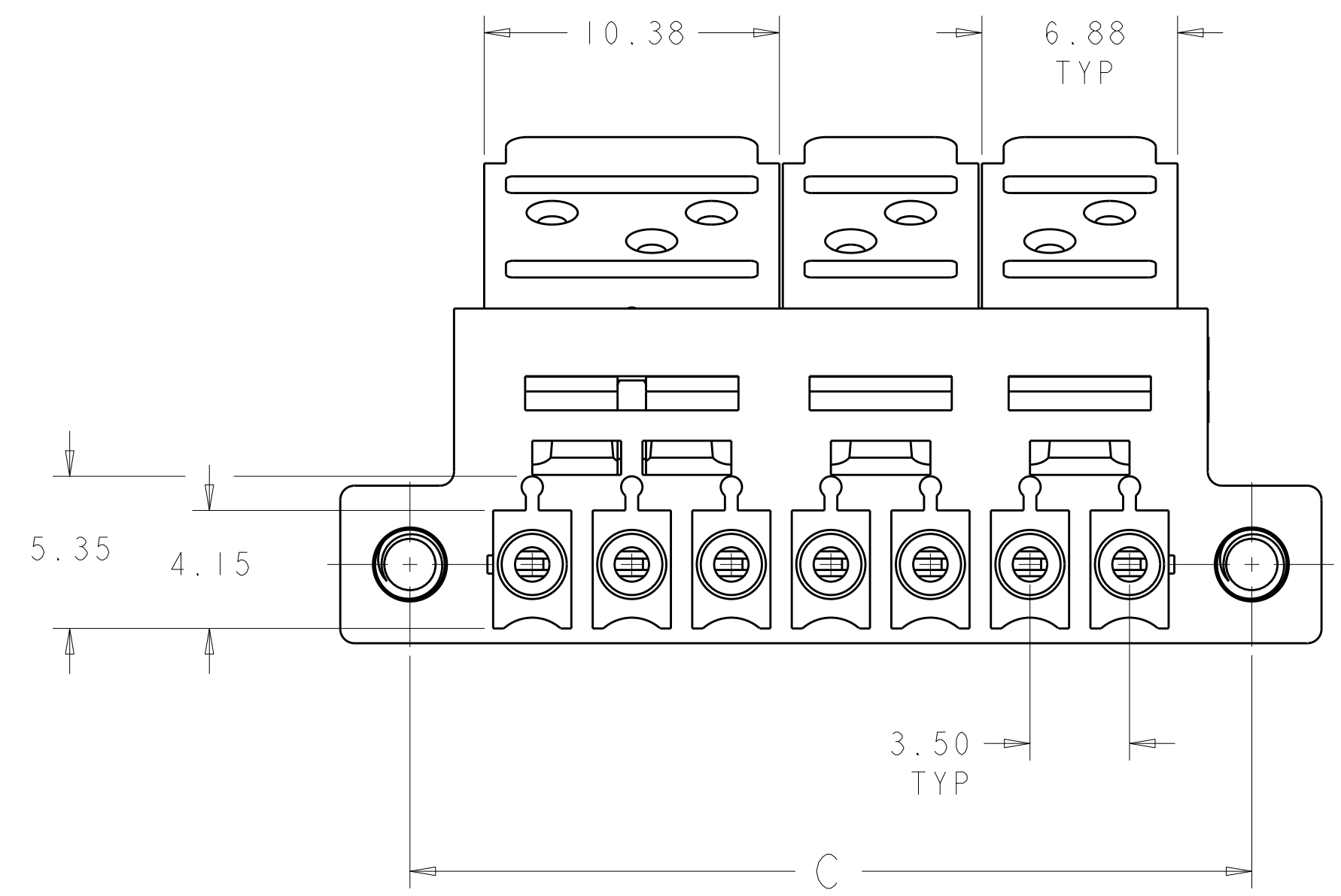
Address: A1208, Overseas Decoration Building, #122 Zhenhua RD., Futian, Shenzhen, China



LOC	DIST	REV	DATE	BY	APPD
FT	0	A	01DEC11	KH	MS
REVISIONS			DESCRIPTION	DATE	DWN
			REVISED PER ECO-11-017647		



# OBSOLETE



- 1 MATERIAL AND FINISH:  
 HOUSING: POLYESTER, COLOR: LIGHT BLUE.  
 WIRE STUFFER: POLYCARBONATE, COLOR: CLEAR.  
 CONTACT: COPPER ALLOY, 3.00µm MINIMUM TIN OVER 1.27µm NICKEL  
 SCREW: STEEL, ZINC PLATED.
- 2 EACH WIRE ENTRY ACCEPTS ONE UNSTRIPPED, STRANDED OR SOLID COPPER 22-24 AWG WIRE WITH A MINIMUM INSULATION DIAMETER OF 1.52mm. RECOMMENDED WIRE INSULATION IS PVC. CONNECTOR MAY NOT FUNCTION CORRECTLY WITH SRPVC OR ANY OTHER RIGID OR SEMI-RIGID INSULATION. CONTACT TYCO ENGINEERING FOR ALL OTHER WIRE INSULATION APPROVAL BEFORE USE.
- 3. CONNECTOR MATES WITH 3.5mm OPEN AND CLOSED-END INDUSTRY STANDARD HEADERS.
- 4 ODD POSITION ASSEMBLIES USE ONE 3 POSITION WIRE STUFFER LOCATED OVER THE LAST THREE POSITIONS AS SHOWN AND 2 POSITION WIRE STUFFERS FOR REMAINING POSITIONS.

61.10	58.00	66.00	16	1-1776281-6
57.60	54.50	62.50	15	1-1776281-5
54.10	51.00	59.00	14	1-1776281-4
50.60	47.50	55.50	13	1-1776281-3
47.10	44.00	52.00	12	1-1776281-2
43.60	40.50	48.50	11	1-1776281-1
40.10	37.00	45.00	10	1-1776281-0
36.60	33.50	41.50	9	1776281-9
33.10	30.00	38.00	8	1776281-8
29.60	26.50	34.50	7	1776281-7
26.10	23.00	31.00	6	1776281-6
22.60	19.50	27.50	5	1776281-5
19.10	16.00	24.00	4	1776281-4
15.60	12.50	20.50	3	1776281-3
12.10	9.00	17.00	2	1776281-2
C	B	A	NO OF POSN	PART NUMBER

THIS DRAWING IS A CONTROLLED DOCUMENT.

DIMENSIONS: mm  
 TOLERANCES UNLESS OTHERWISE SPECIFIED:  
 9 PLC ±0.5  
 5 PLC ±0.13  
 4 PLC ±0.000  
 ANGLES ±0.000  
 FINISH:

DWN: S. WELDON 18MAR2005  
 CHK: C. RICHARD 18MAR2005  
 APVD: C. RICHARD 18MAR2005

NAME: PIVOT BLOCK ASSEMBLY, W/ SCREW FLANGE, 22-24 AWG, LIGHT BLUE, 3.5mm  
 SIZE: A100779  
 CAGE CODE: C=1776281  
 DRAWING NO: 1776281-6  
 SCALE: 5:1 SHEET 1 OF 1 REV A

MATERIAL:   
 FINISH:

CUSTOMER DRAWING  
 SCALE: 5:1 SHEET 1 OF 1 REV A