



Chipsmall Limited consists of a professional team with an average of over 10 year of expertise in the distribution of electronic components. Based in Hongkong, we have already established firm and mutual-benefit business relationships with customers from,Europe,America and south Asia,supplying obsolete and hard-to-find components to meet their specific needs.

With the principle of “Quality Parts,Customers Priority,Honest Operation,and Considerate Service”,our business mainly focus on the distribution of electronic components. Line cards we deal with include Microchip,ALPS,ROHM,Xilinx,Pulse,ON,Everlight and Freescale. Main products comprise IC,Modules,Potentiometer,IC Socket,Relay,Connector.Our parts cover such applications as commercial,industrial, and automotives areas.

We are looking forward to setting up business relationship with you and hope to provide you with the best service and solution. Let us make a better world for our industry!



Contact us

Tel: +86-755-8981 8866 Fax: +86-755-8427 6832

Email & Skype: info@chipsmall.com Web: www.chipsmall.com

Address: A1208, Overseas Decoration Building, #122 Zhenhua RD., Futian, Shenzhen, China



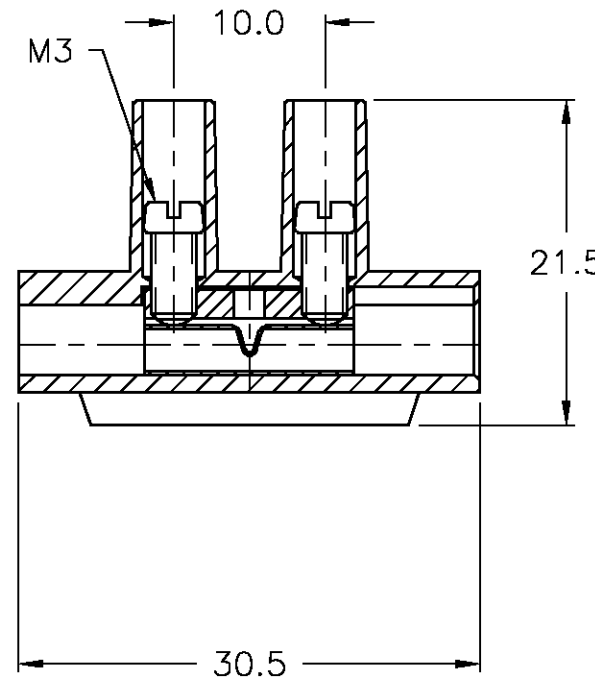
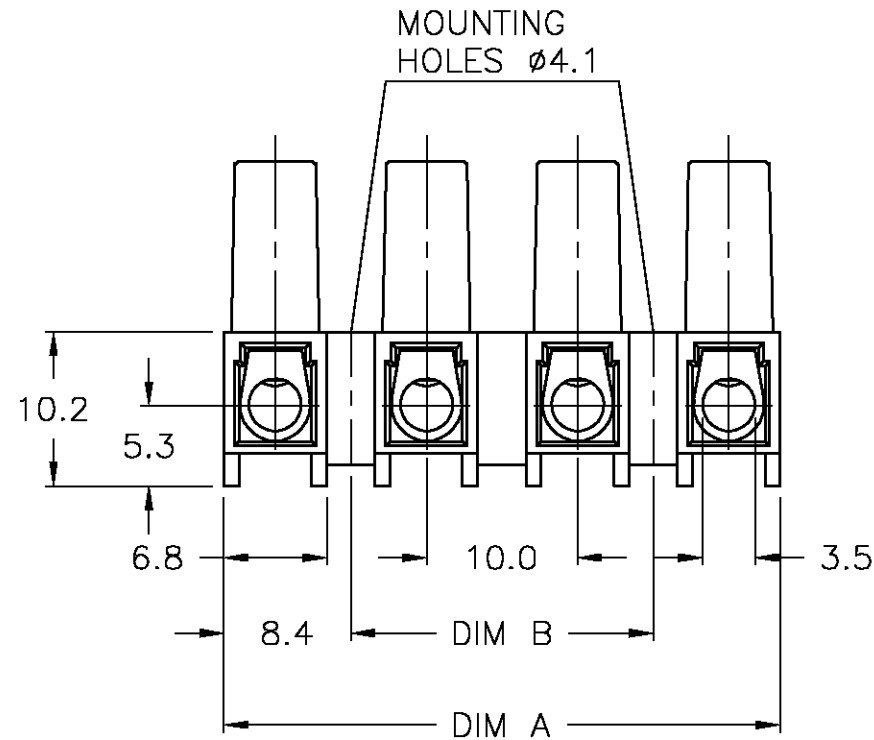
THIS DRAWING IS UNPUBLISHED. RELEASED FOR PUBLICATION
 © COPYRIGHT BY TYCO ELECTRONICS CORPORATION. ALL RIGHTS RESERVED.

LOC	DIST	REVISIONS			
P	LTR	DESCRIPTION	DATE	DWN	APVD
FT	0	0	REVISED PER 0G3B-1020-05	3/21/05	SS CR

MATERIAL:
 HOUSING: POLYIMIDE 6 UL94V-2.
 COLOR: NATURAL.
 TERMINAL: BRASS, TIN PLATED
 SCREWS: STEEL, ZINC PLATED W/ NON-HEXAVALENT CHROMATE (CHROME III).
 WIRE PROTECTOR: STAINLESS STEEL

CURRENT RATING: 30A(UL), 25A(CSA)
 OPERATING VOLTAGE: 600V
 WIRE RANGE: 12-24 AWG

CONTINUOUS WORKING TEMP: -35°C TO +100°C



100.0	116.8	TSB500 SK12MDS	1-1776300-2
90.0	106.8	TSB500 SK11MDS	1-1776300-1
80.0	96.8	TSB500 SK10MDS	1-1776300-0
70.0	86.8	TSB500 SK09MDS	1776300-9
60.0	76.8	TSB500 SK08MDS	1776300-8
50.0	66.8	TSB500 SK07MDS	1776300-7
40.0	56.8	TSB500 SK06MDS	1776300-6
30.0	46.8	TSB500 SK05MDS	1776300-5
20.0	36.8	TSB500 SK04MDS	1776300-4
10.0	26.8	TSB500 SK03MDS	1776300-3
-	16.8	TSB500 SK02MDS	1776300-2
-	6.8	TSB500 SK01MDS	1776300-1
DIM B	DIM A	CATALOG PART NO.	PART NO.

THIS DRAWING IS A CONTROLLED DOCUMENT.		DWN S SCHLEGEL 3/21/05	Tyco Electronics Corporation Harrisburg, Pa 17105-3608	
DIMENSIONS: mm		CHK C RICHARD 3/21/05	NAME EUROPA TERMINAL BLOCK W/ WIRE STOP MOUNTING HOLES 4.1 DIA, 10.0mm PITCH	
TOLERANCES UNLESS OTHERWISE SPECIFIED:		APVD C RICHARD 3/21/05	PRODUCT SPEC	
0 PLC ± - 1 PLC ± 0.3 2 PLC ± 0.25 3 PLC ± - 4 PLC ± - ANGLES ± 2°		APPLICATION SPEC		
MATERIAL	FINISH	WEIGHT	SIZE A3	CAGE CODE 00779
-	-	-	DRAWING NO C-1776300	RESTRICTED TO
CUSTOMER DRAWING			SCALE NTS	SHEET 1 OF 1
			REV 0	