



Chipsmall Limited consists of a professional team with an average of over 10 year of expertise in the distribution of electronic components. Based in Hongkong, we have already established firm and mutual-benefit business relationships with customers from,Europe,America and south Asia,supplying obsolete and hard-to-find components to meet their specific needs.

With the principle of “Quality Parts,Customers Priority,Honest Operation,and Considerate Service”,our business mainly focus on the distribution of electronic components. Line cards we deal with include Microchip,ALPS,ROHM,Xilinx,Pulse,ON,Everlight and Freescale. Main products comprise IC,Modules,Potentiometer,IC Socket,Relay,Connector.Our parts cover such applications as commercial,industrial, and automotives areas.

We are looking forward to setting up business relationship with you and hope to provide you with the best service and solution. Let us make a better world for our industry!



Contact us

Tel: +86-755-8981 8866 Fax: +86-755-8427 6832

Email & Skype: info@chipsmall.com Web: www.chipsmall.com

Address: A1208, Overseas Decoration Building, #122 Zhenhua RD., Futian, Shenzhen, China



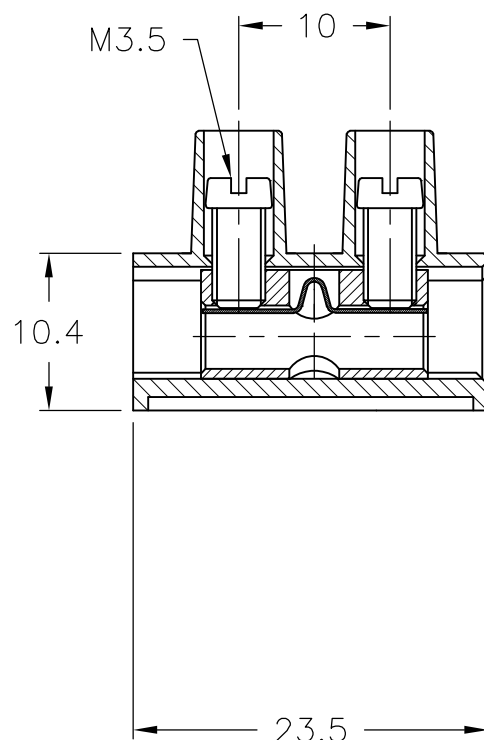
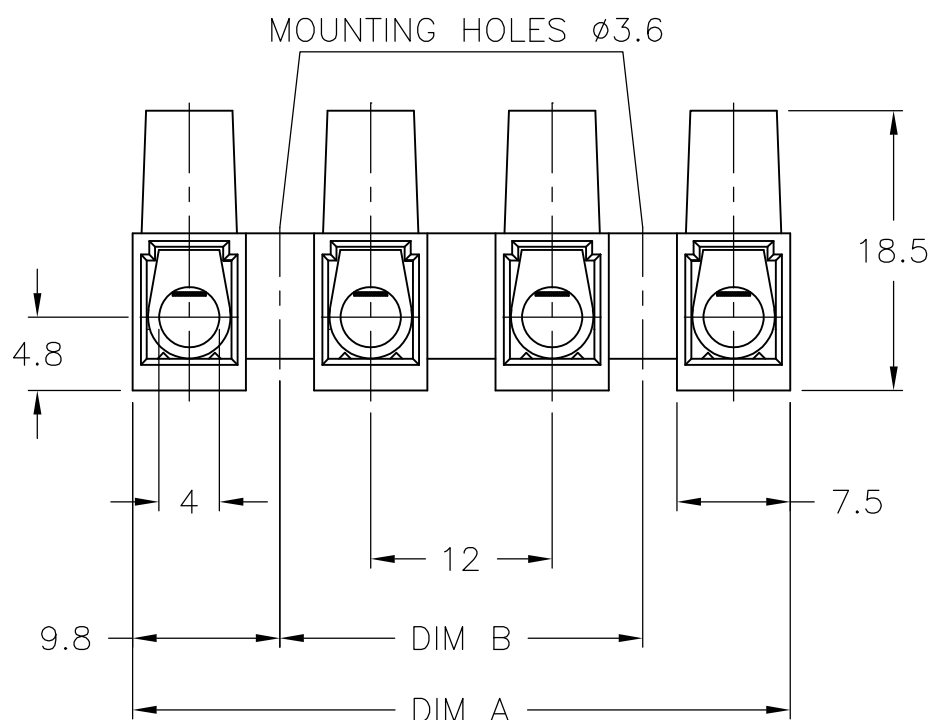
THIS DRAWING IS UNPUBLISHED. RELEASED FOR PUBLICATION
 © COPYRIGHT BY TYCO ELECTRONICS CORPORATION. ALL RIGHTS RESERVED.

LOC FT	DIST 0	REVISIONS			
P	LTR	DESCRIPTION	DATE	DWN	APVD
	A1	REVISED PER ECO-09-024209	27JAN10	HMR	CR

MATERIAL:
 HOUSING: POLYAMIDE 6/6, UL94V-0.
 COLOR: BROWN.
 TUBULAR CONTACT: TIN PLATED, BRASS.
 SCREW: M3.5 STEEL, ZINC PLATED W/ NON-
 HEXAVALENT CHROMATE (CHROME III).
 WIRE PROTECTOR: STAINLESS STEEL.

CURRENT RATING: 40A.
 OPERATING VOLTAGE: 250V.
 WIRE RANGE: 10-24 AWG.

CONTINUOUS WORKING TEMP.: -50°C TO +160°C.



120	139.5	12	TSB100012DSHT	1-1776304-2
108	127.5	11	TSB100011DSHT	1-1776304-1
96	115.5	10	TSB100010DSHT	1-1776304-0
84	103.5	9	TSB100009DSHT	1776304-9
72	91.5	8	TSB100008DSHT	1776304-8
60	79.5	7	TSB100007DSHT	1776304-7
48	67.5	6	TSB100006DSHT	1776304-6
36	55.5	5	TSB100005DSHT	1776304-5
24	43.5	4	TSB100004DSHT	1776304-4
12	31.5	3	TSB100003DSHT	1776304-3
-	19.5	2	TSB100002DSHT	1776304-2
-	7.5	1	TSB100001DSHT	1776304-1
DIM B	DIM A	NO. OF POS.	CATALOG NUMBER	PART NO.

THIS DRAWING IS A CONTROLLED DOCUMENT.		DWN S SCHLEGEL 3/21/05	Tyco Electronics Corporation Harrisburg, Pa 17105-3608		
DIMENSIONS: mm		CHK C RICHARD 3/21/05			
TOLERANCES UNLESS OTHERWISE SPECIFIED:		APVD C RICHARD 3/21/05	NAME 12mm PITCH, EUROPA TERMINAL BLOCK HIGH TEMP.		
0 PLC ± - 1 PLC ± 0.7 2 PLC ± 0.25 3 PLC ± - 4 PLC ± - ANGLES ± 2°		PRODUCT SPEC -	APPLICATION SPEC -		
MATERIAL -	FINISH -	WEIGHT -	SIZE A3	CAGE CODE 00779	DRAWING NO C-1776304
CUSTOMER DRAWING			RESTRICTED TO -	SCALE NTS	SHEET 1 OF 1
			REV A1		