



Chipsmall Limited consists of a professional team with an average of over 10 year of expertise in the distribution of electronic components. Based in Hongkong, we have already established firm and mutual-benefit business relationships with customers from,Europe,America and south Asia,supplying obsolete and hard-to-find components to meet their specific needs.

With the principle of “Quality Parts,Customers Priority,Honest Operation,and Considerate Service”,our business mainly focus on the distribution of electronic components. Line cards we deal with include Microchip,ALPS,ROHM,Xilinx,Pulse,ON,Everlight and Freescale. Main products comprise IC,Modules,Potentiometer,IC Socket,Relay,Connector.Our parts cover such applications as commercial,industrial, and automotives areas.

We are looking forward to setting up business relationship with you and hope to provide you with the best service and solution. Let us make a better world for our industry!



## Contact us

Tel: +86-755-8981 8866 Fax: +86-755-8427 6832

Email & Skype: info@chipsmall.com Web: www.chipsmall.com

Address: A1208, Overseas Decoration Building, #122 Zhenhua RD., Futian, Shenzhen, China



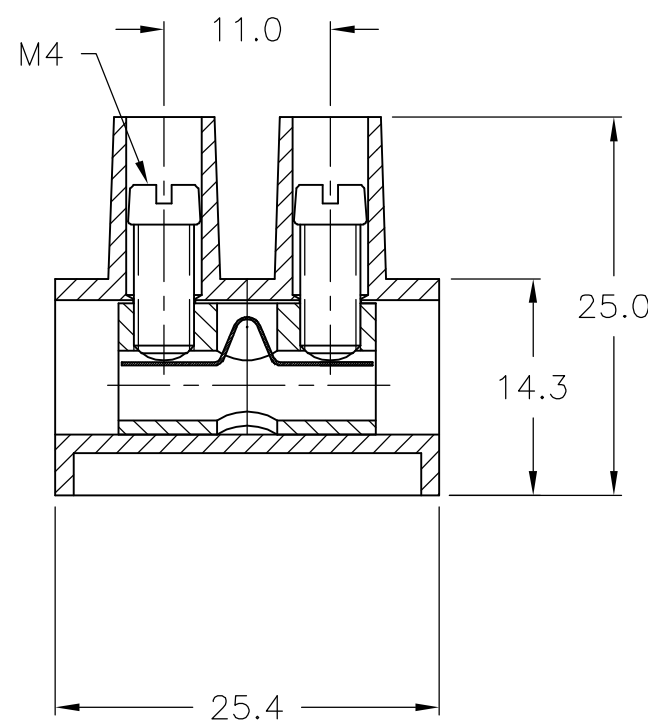
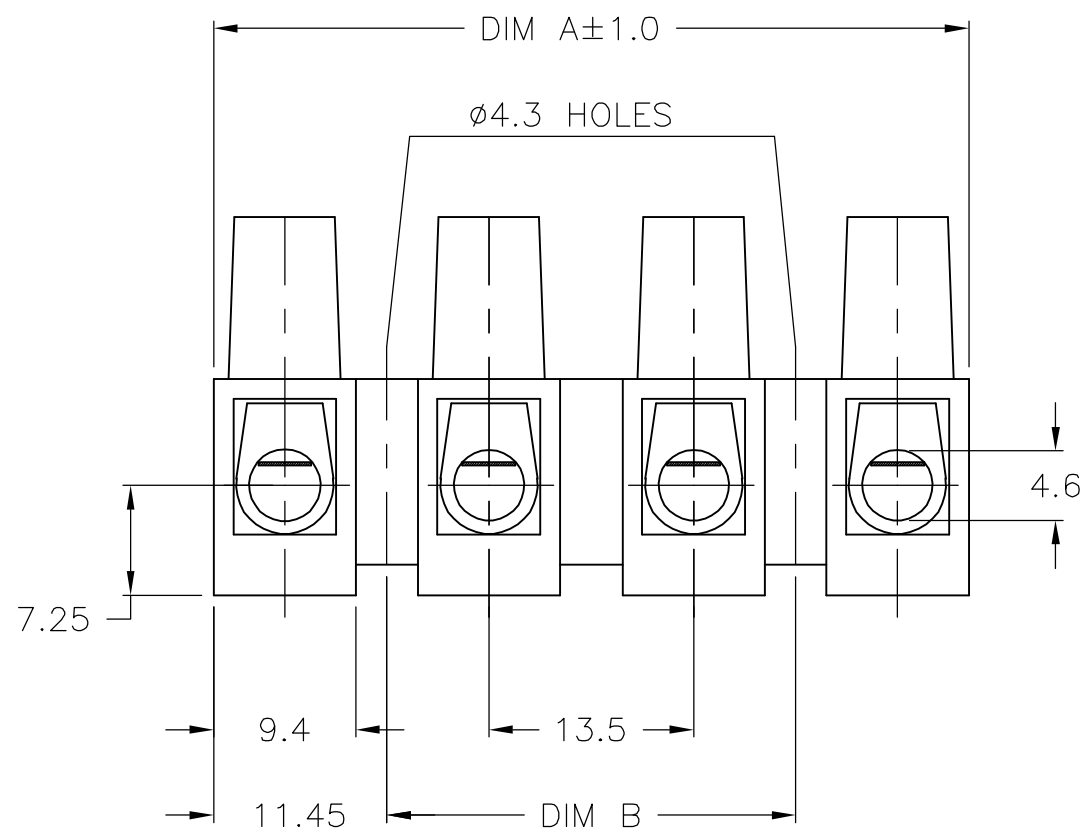
THIS DRAWING IS UNPUBLISHED. RELEASED FOR PUBLICATION  
 © COPYRIGHT BY TYCO ELECTRONICS CORPORATION. ALL RIGHTS RESERVED.

LOC FT	DIST 0	REVISIONS			
P	LTR	DESCRIPTION	DATE	DWN	APVD
	01	REVISED PER ECO-06-17641	7/24/06	SS	CR

MATERIAL:  
 HOUSING: POLYIMIDE 6 UL94V-2.  
 COLOR: NATURAL (OFF WHITE).  
 TUBULAR CONTACT: BRASS, TIN PLATED.  
 SCREW: M4, STEEL, ZINC PLATED W/ NON-  
 HEXAVALENT CHROMATE (CHROME III).  
 WIRE PROTECTOR: STAINLESS STEEL.

CURRENT RATING: 40A, 300V (UL).  
 55A, 300V (CSA).  
 WIRE RANGE: 8-18 AWG.

CONTINUOUS WORKING TEMPERATURE 100°C MAX.



135.0	157.9	12	TSB150012DS	1-1776311-2
121.5	144.4	11	TSB150011DS	1-1776311-1
108.0	130.9	10	TSB150010DS	1-1776311-0
94.5	117.9	9	TSB150009DS	1776311-9
81.0	103.9	8	TSB150008DS	1776311-8
67.5	90.4	7	TSB150007DS	1776311-7
54.0	76.9	6	TSB150006DS	1776311-6
40.5	63.4	5	TSB150005DS	1776311-5
27.0	49.9	4	TSB150004DS	1776311-4
13.5	36.4	3	TSB150003DS	1776311-3
-	22.9	2	TSB150002DS	1776311-2
-	9.4	1	TSB150001DS	1776311-1
DIM B	DIM A	POSN	CATALOG NUMBER	TYCO PART NUMBER

THIS DRAWING IS A CONTROLLED DOCUMENT.		DWN S SCHLEGEL	3/21/05	Tyco Electronics Corporation Harrisburg, Pa 17105-3608	
DIMENSIONS: mm		CHK C RICHARD	3/21/05		
TOLERANCES UNLESS OTHERWISE SPECIFIED:		APVD C RICHARD	3/21/05	NAME 13.5MM PITCH W/ WIRE PROTECTOR EUROPA TERMINAL BLOCK	
0 PLC ± - 1 PLC ± 0.3 2 PLC ± 0.25 3 PLC ± - 4 PLC ± - ANGLES ± 2°		PRODUCT SPEC -		RESTRICTED TO -	
MATERIAL -		FINISH -		APPLICATION SPEC -	SIZE A3
		WEIGHT -		CAGE CODE 00779	DRAWING NO C-1776311
CUSTOMER DRAWING				SCALE NTS	SHEET 1 OF 1
				REV 01	