



Chipsmall Limited consists of a professional team with an average of over 10 year of expertise in the distribution of electronic components. Based in Hongkong, we have already established firm and mutual-benefit business relationships with customers from,Europe,America and south Asia,supplying obsolete and hard-to-find components to meet their specific needs.

With the principle of “Quality Parts,Customers Priority,Honest Operation,and Considerate Service”,our business mainly focus on the distribution of electronic components. Line cards we deal with include Microchip,ALPS,ROHM,Xilinx,Pulse,ON,Everlight and Freescale. Main products comprise IC,Modules,Potentiometer,IC Socket,Relay,Connector.Our parts cover such applications as commercial,industrial, and automotives areas.

We are looking forward to setting up business relationship with you and hope to provide you with the best service and solution. Let us make a better world for our industry!



Contact us

Tel: +86-755-8981 8866 Fax: +86-755-8427 6832

Email & Skype: info@chipsmall.com Web: www.chipsmall.com

Address: A1208, Overseas Decoration Building, #122 Zhenhua RD., Futian, Shenzhen, China



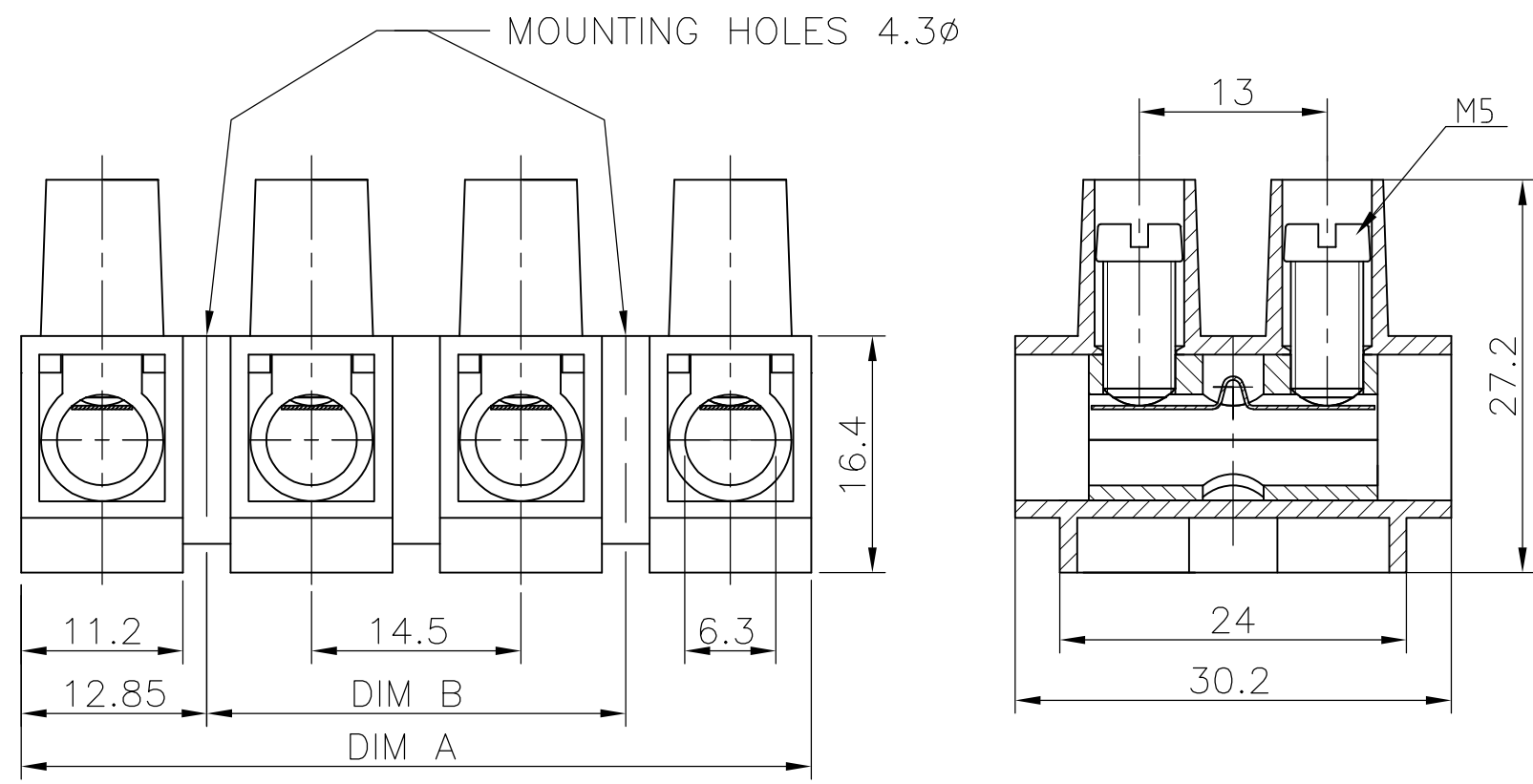
THIS DRAWING IS UNPUBLISHED. RELEASED FOR PUBLICATION
 © COPYRIGHT - By - ALL RIGHTS RESERVED.

LOC	DIST	REVISIONS			
P	LTR	DESCRIPTION	DATE	DWN	APVD
FT	0	A	REVISED PER ECO-11-007502	20APR11	HMR CR

MATERIAL:
 HOUSING: POLYIMIDE 6 UL94V-2.
 COLOR: NATURAL (OFF WHITE).
 TUBULAR CONTACT: BRASS, TIN PLATED.
 SCREW: SEE TABLE
 WIRE PROTECTOR: STAINLESS STEEL

ELECTRICAL:
 CURRENT RATING: 65A, 600V.
 WIRE RANGE: 6-14 UL AND 6-22 AWG FOR (CSA)

CONTINUOUS WORKING TEMP.: 100°C MAX.



PRELIMIANRY					
	NICKEL PLATED BRASS	14.5	40.2	TSB200003KDS	2-1776315-3
	NICKEL PLATED BRASS	-	25.7	TSB200002KDS	2-1776315-2
	TRIVALENT ZINC PLATED STEEL	145	170.7	TSB200012KDS	1-1776315-2
	TRIVALENT ZINC PLATED STEEL	130.5	156.2	TSB200011KDS	1-1776315-1
	TRIVALENT ZINC PLATED STEEL	116	141.7	TSB200010KDS	1-1776315-0
	TRIVALENT ZINC PLATED STEEL	101.5	127.2	TSB200009KDS	1776315-9
	TRIVALENT ZINC PLATED STEEL	87	112.7	TSB200008KDS	1776315-8
	TRIVALENT ZINC PLATED STEEL	72.5	98.2	TSB200007KDS	1776315-7
	TRIVALENT ZINC PLATED STEEL	58	83.7	TSB200006KDS	1776315-6
	TRIVALENT ZINC PLATED STEEL	43.5	69.2	TSB200005KDS	1776315-5
	TRIVALENT ZINC PLATED STEEL	29	54.7	TSB200004KDS	1776315-4
	TRIVALENT ZINC PLATED STEEL	14.5	40.2	TSB200003KDS	1776315-3
	TRIVALENT ZINC PLATED STEEL	-	25.7	TSB200002KDS	1776315-2
	TRIVALENT ZINC PLATED STEEL	-	11.2	TSB200001KDS	1776315-1
	SCREW MATERIAL	DIM B	DIM A	T & B PART NUMBER	TE PART NUMBER

THIS DRAWING IS A CONTROLLED DOCUMENT.		DWN S SCHLEGEL 3/21/05	TE Connectivity			
DIMENSIONS: mm		CHK C RICHARD 3/21/05				
TOLERANCES UNLESS OTHERWISE SPECIFIED:		APVD C RICHARD 3/21/05	NAME			
0 PLC ± - 1 PLC ± 0.3 2 PLC ± 0.25 3 PLC ± - 4 PLC ± - ANGLES ± 2°		PRODUCT SPEC	14.5MM PITCH WIRE PROTECTOR 65A HIGH VOLTAGE VERSION			
MATERIAL		APPLICATION SPEC	SIZE	CAGE CODE	DRAWING NO	RESTRICTED TO
FINISH		WEIGHT	A3	00779	C-1776315	-
CUSTOMER DRAWING			SCALE	SHEET	REV	
			NTS	1 OF 1	A	