



Chipsmall Limited consists of a professional team with an average of over 10 year of expertise in the distribution of electronic components. Based in Hongkong, we have already established firm and mutual-benefit business relationships with customers from,Europe,America and south Asia,supplying obsolete and hard-to-find components to meet their specific needs.

With the principle of “Quality Parts,Customers Priority,Honest Operation,and Considerate Service”,our business mainly focus on the distribution of electronic components. Line cards we deal with include Microchip,ALPS,ROHM,Xilinx,Pulse,ON,Everlight and Freescale. Main products comprise IC,Modules,Potentiometer,IC Socket,Relay,Connector.Our parts cover such applications as commercial,industrial, and automotives areas.

We are looking forward to setting up business relationship with you and hope to provide you with the best service and solution. Let us make a better world for our industry!



Contact us

Tel: +86-755-8981 8866 Fax: +86-755-8427 6832

Email & Skype: info@chipsmall.com Web: www.chipsmall.com

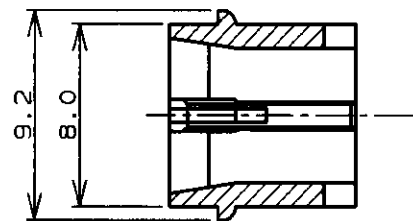
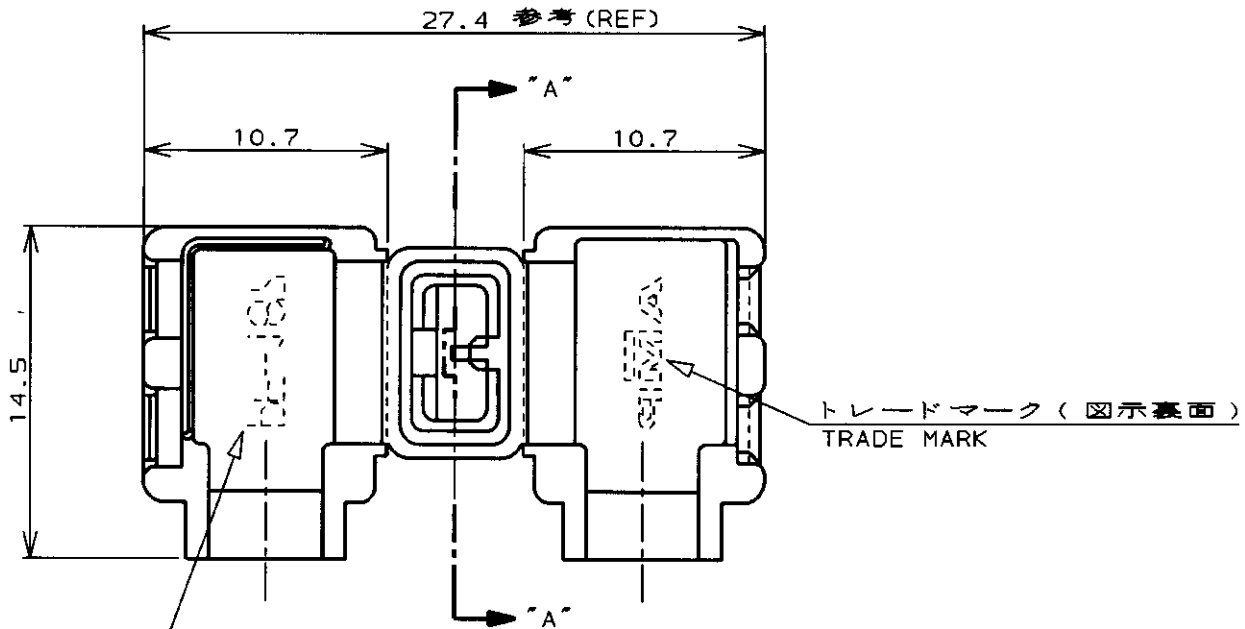
Address: A1208, Overseas Decoration Building, #122 Zhenhua RD., Futian, Shenzhen, China



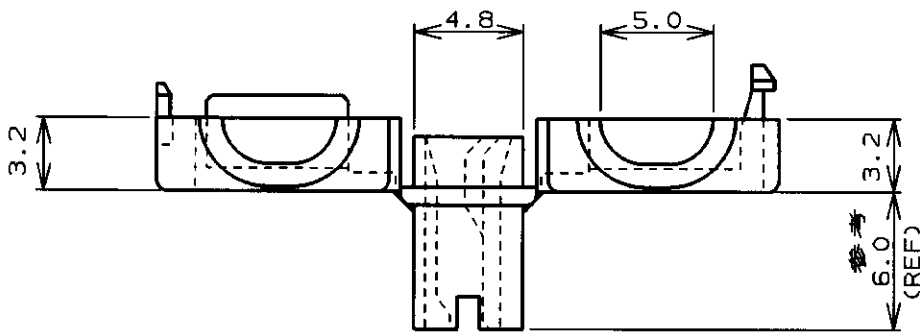
NUMBER C-178708



METRIC



断面 "A"- "A"
SECT.



注 ;
1. 適用端子型番 : 175019-1

NOTE ;
1. APPLICABLE CONTACT P/N : 175019-1

黒 (BLACK)	1-178708-9
赤 (RED)	1-178708-7
青 (BLUE)	1-178708-6
緑 (GREEN)	1-178708-5
黄 (YELLOW)	1-178708-4
自然色 (NATURAL)	1-178708-1
色 (COLOR)	型番 (P/N)

単位: 概 DIMENSIONS IN MM. DO NOT SCALE PRINT



一般公差 (GENERAL TOLERANCE) 10以下: ±0.2 10を超え 30以下: ±0.25 30を超え 100以下: ±0.3 角 度: ±3°	適合電線断面積 (WIRE RANGE) //	被覆外径 (INSULATION DIA.) 1.7~3.1 mmφ
材料 (MATERIAL) 6/6 ナイロン 6/6 NYLON (UL94V-0)	仕上 (FINISH) //	

PRINT DIST	F1	REVISED PER ECO-11-005294	RK	HMR	06APR 11	尺 度 (SCALE)	SIZE	LOC	番 号 (No.)	REV.	SHEET
	LTR	変更 (REVISION RECORD)	DR	CHK	DATE	//	A4	J	C-178708	F1	1 OF 1
DR.	M. SUZUKI 2/15'91		DE.	M. SUZUKI 2/15'91		名称 (NAME)			ワンタッチスリーブ (187シリーズ旗型ポジティブロック-EX用)		
CHK.	Y. FUJITA 2/15'91		APP.	N. ONOUE 2/15'91		ONE TOUCH SLEEVE FOR 187 SERIES FLAG POSITIVE LOCK-EX					