



Chipsmall Limited consists of a professional team with an average of over 10 year of expertise in the distribution of electronic components. Based in Hongkong, we have already established firm and mutual-benefit business relationships with customers from,Europe,America and south Asia,supplying obsolete and hard-to-find components to meet their specific needs.

With the principle of “Quality Parts,Customers Priority,Honest Operation,and Considerate Service”,our business mainly focus on the distribution of electronic components. Line cards we deal with include Microchip,ALPS,ROHM,Xilinx,Pulse,ON,Everlight and Freescale. Main products comprise IC,Modules,Potentiometer,IC Socket,Relay,Connector.Our parts cover such applications as commercial,industrial, and automotives areas.

We are looking forward to setting up business relationship with you and hope to provide you with the best service and solution. Let us make a better world for our industry!



Contact us

Tel: +86-755-8981 8866 Fax: +86-755-8427 6832

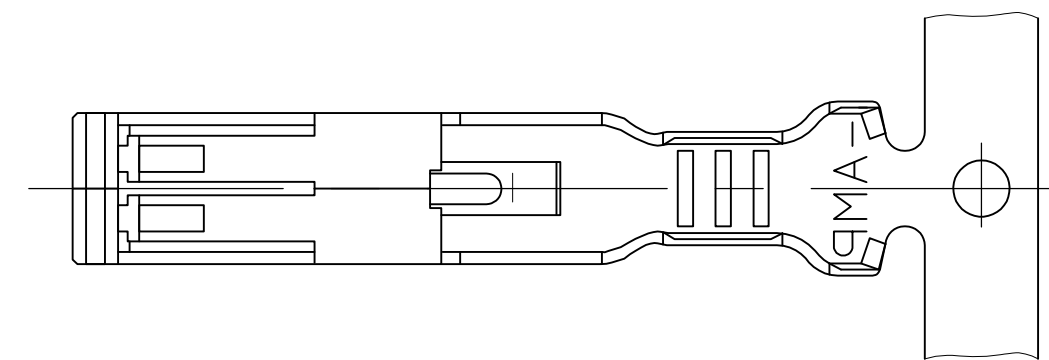
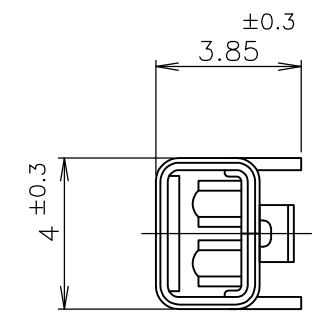
Email & Skype: info@chipsmall.com Web: www.chipsmall.com

Address: A1208, Overseas Decoration Building, #122 Zhenhua RD., Futian, Shenzhen, China

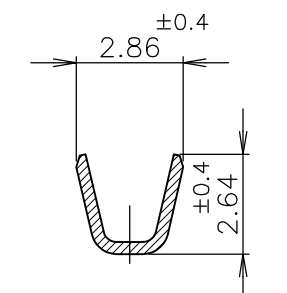


THIS DRAWING IS UNPUBLISHED. RELEASED FOR PUBLICATION
 © COPYRIGHT By - ALL RIGHTS RESERVED.

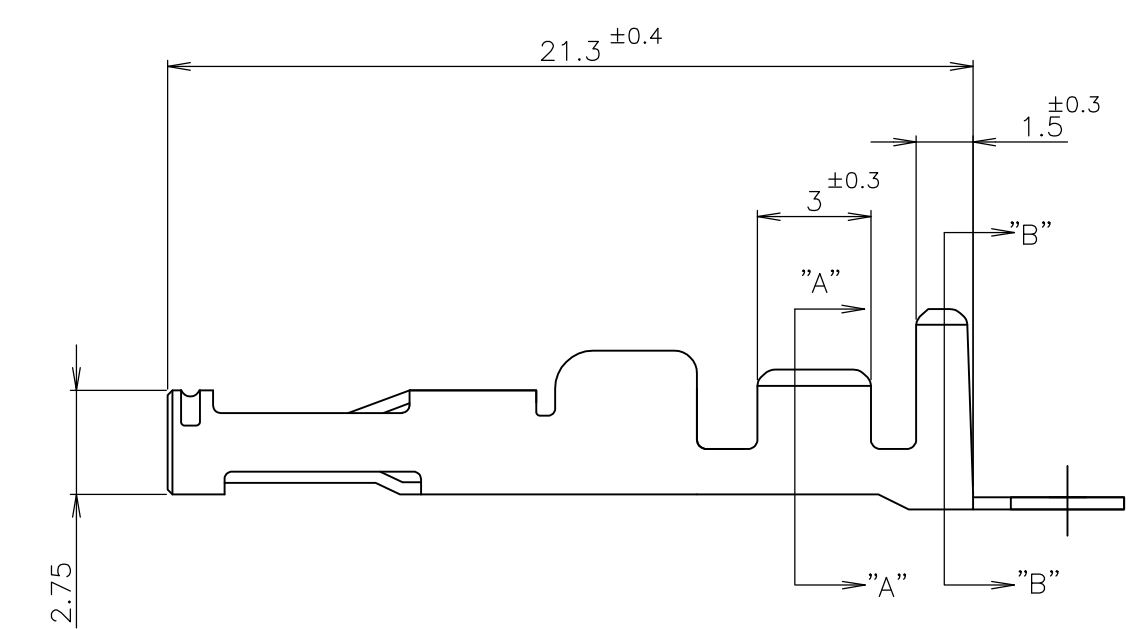
LOC	DIST	REVISIONS 変更					
J		P	LTR	DESCRIPTION	DATE	DWN	APVD
			B1	REVISED PER ECO-11-005030	11MAR11	RK	HMR



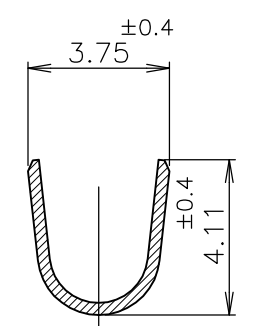
- 注記;
- ① 材料 : 銅合金
 - ② 仕上げ : 材料めっき
全面ニッケル下地めっきの上に
接触部 : 金めっき
圧着部 : 半田めっき
 - ③ 仕上げ : 全面錫めっき
 - ④ 仕上げ : 材料めっき
全面ニッケル下地めっきの上に
接触部 : 金めっき
圧着部 : 錫めっき
 - 5. 使用コネクタ型番 : X-179323-X, X-179312-X
 - ⑥ 一般公差
10以下 : ±0.2
10を越え30以下 : ±0.25
30を越え100以下 : ±0.3
角度 : ±3°



SECT "A" - "A"



- NOTES;
- ① MATERIAL : COPPER ALLOY.
 - ② FINISH : PRE-PLATED
NICKEL PL ALL OVER
CONTACT AREA : GOLD PL.
BARREL AREA : TIN-LEAD PL.
 - ③ FINISH : TIN PL ALL OVER.
 - ④ FINISH : PRE-PLATED
NICKEL PL ALL OVER
CONTACT AREA : GOLD PL.
BARREL AREA : TIN PL.
 - 5. USED CONNECTOR P/N : X-179323-X, X-179312-X
 - ⑥ GENERAL TOLERANCE
10 ≥ : ±0.2
30 ≥ >10 : ±0.25
100 ≥ >30 : ±0.3
ANGLES : ±3°



SECT "B" - "B"

④	179316-4
③	1-179316-2
②	179316-2
仕上 FINISH	P/N

WIRE RANGE 総合電線断面積	0.5~1.25mm ² (AWG16~20)	INSULATION DIA 被覆外径	φ 1.6~2.8 mm
-----------------------	------------------------------------	------------------------	--------------

THIS DRAWING IS A CONTROLLED DOCUMENT.		DWN K.IINO	28OCT98	STE TE Connectivity	
DIMENSIONS: 単位: 概 mm		CHK J.TANIGAWA	28OCT98		
TOLERANCES UNLESS OTHERWISE SPECIFIED: 一般公差		APVD S.KUBOUCHI	28OCT98	NAME 名称	
0 PLC ±		PRODUCT SPEC 製品規格		RECEPTACLE CONTACT HYBRID MINI DRAWER CONNECTOR	
1 PLC ±		APPLICATION SPEC 取付適用規格		SIZE	
2 PLC ±		114-5182		CAGE CODE	
3 PLC ±		WEIGHT		DRAWING NO	
4 PLC ±		CUSTOMER DRAWING		番号	
ANGLES ±		SCALE 尺度 NTS		SHEET	
FINISH 仕上		A3 00779		1 OF 1	
①		G-179316		REV	
② ③ ④		RESTRICTED TO		B1	