



Chipsmall Limited consists of a professional team with an average of over 10 year of expertise in the distribution of electronic components. Based in Hongkong, we have already established firm and mutual-benefit business relationships with customers from,Europe,America and south Asia,supplying obsolete and hard-to-find components to meet their specific needs.

With the principle of "Quality Parts,Customers Priority,Honest Operation,and Considerate Service",our business mainly focus on the distribution of electronic components. Line cards we deal with include Microchip,ALPS,ROHM,Xilinx,Pulse,ON,Everlight and Freescale. Main products comprise IC,Modules,Potentiometer,IC Socket,Relay,Connector.Our parts cover such applications as commercial,industrial, and automotives areas.

We are looking forward to setting up business relationship with you and hope to provide you with the best service and solution. Let us make a better world for our industry!



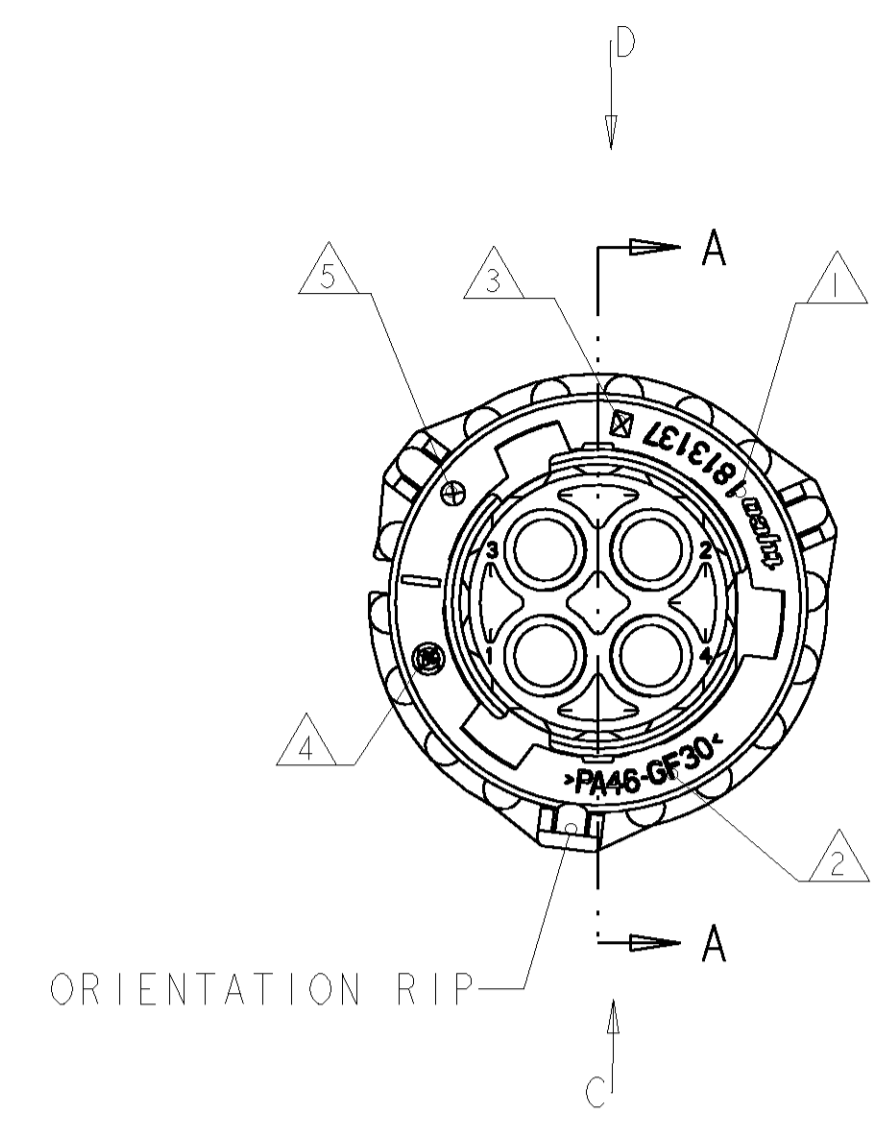
## Contact us

Tel: +86-755-8981 8866 Fax: +86-755-8427 6832

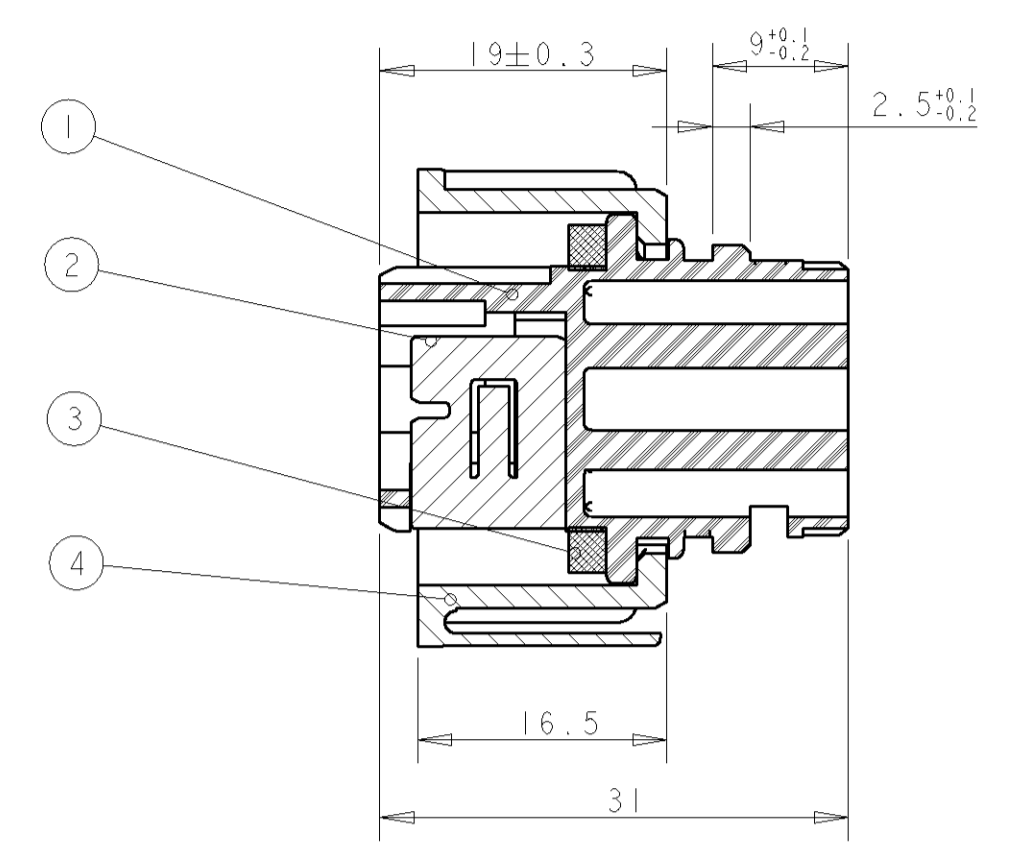
Email & Skype: info@chipsmall.com Web: www.chipsmall.com

Address: A1208, Overseas Decoration Building, #122 Zhenhua RD., Futian, Shenzhen, China



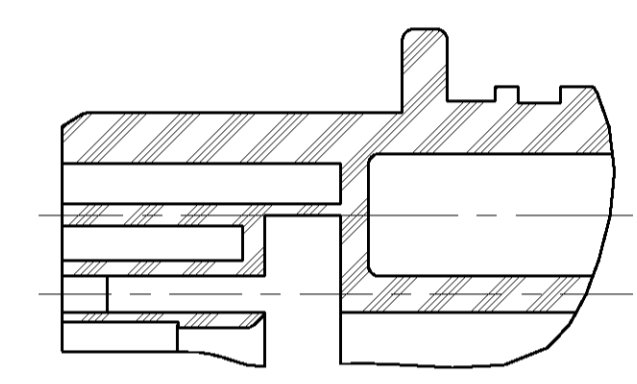
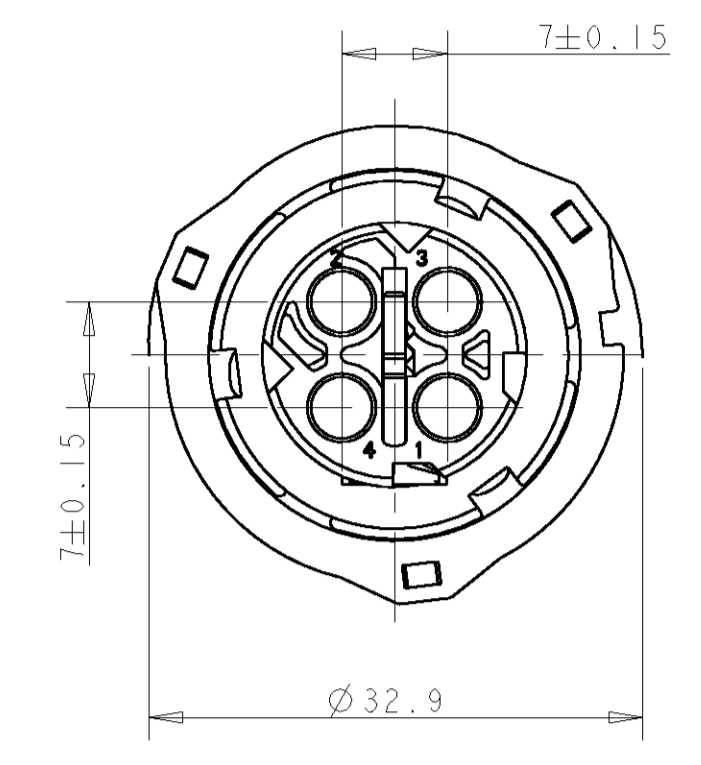


COUPLING RING IN PRE-LOCKED POSITION  
 (FITTING POSITION WITH PIN HOUSING)



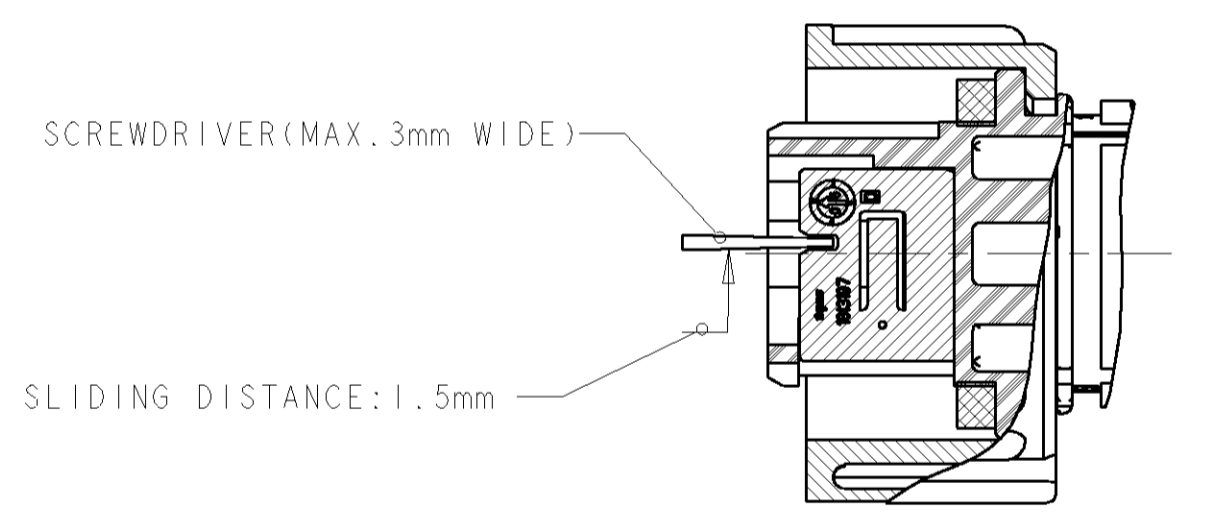
SECTION A-A

SECOND LOCKING DEVICE  
 IN PRE-LOCKED POSITION

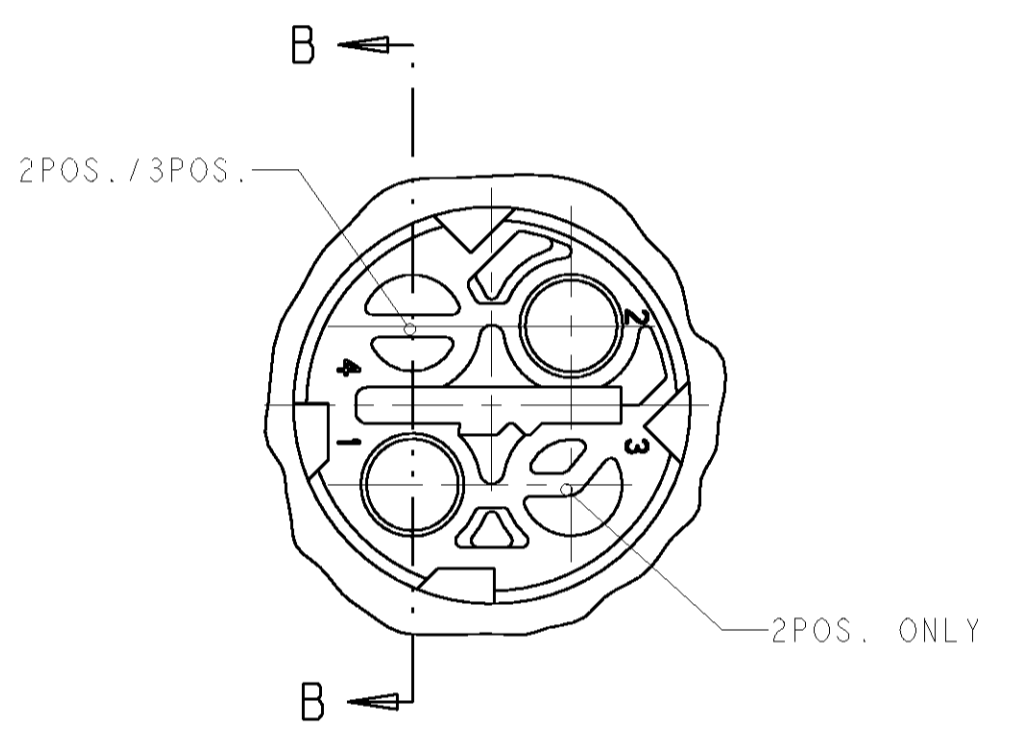


SECTION B-B

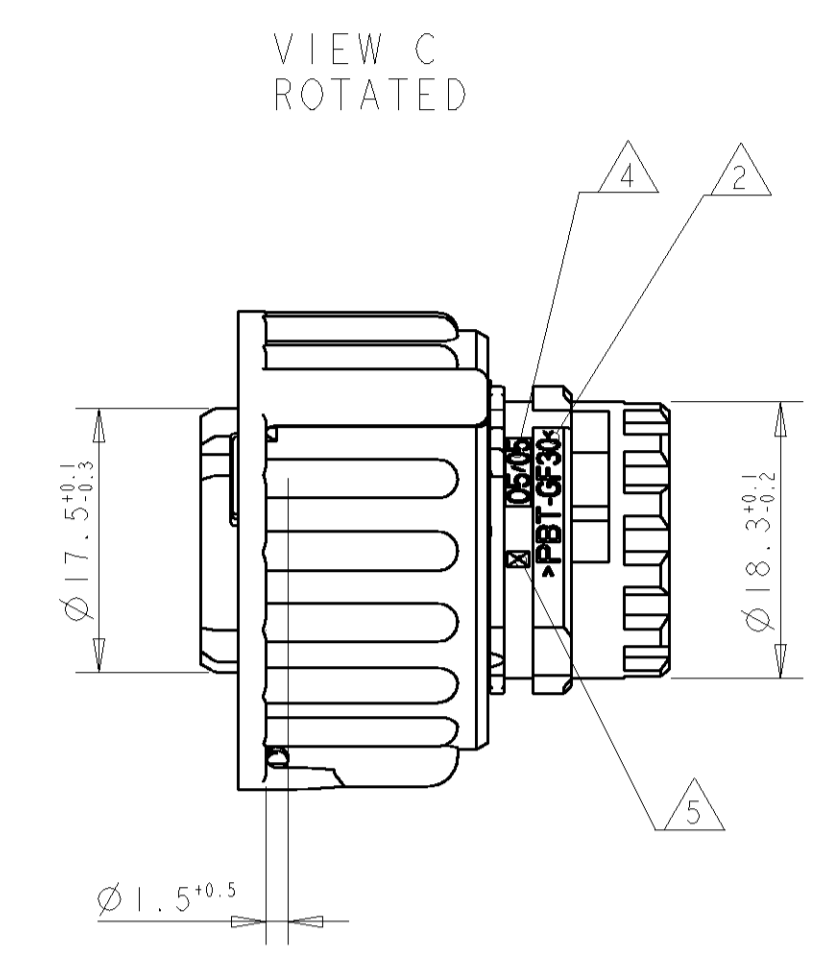
SECOND LOCKING DEVICE  
 IN LOCKED POSITION



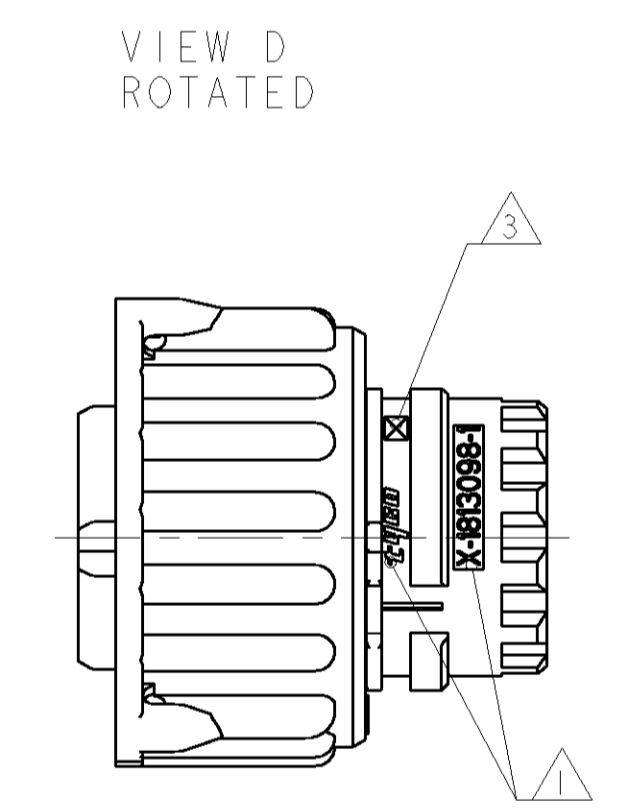
SECTION A-A



CLOSED CAVITY OF THE  
 2POS./3POS. SOCKET HOUSING



VIEW C  
 ROTATED



VIEW D  
 ROTATED

- NOTES:
- 1 TYCO LOGO AND TYCO NUMBER OF SINGLE PART
  - 2 MATERIAL MARKING
  - 3 REVISION OF THE MOULD
  - 4 PRODUCTION DATE
  - 5 CAVITY MARKING
  - 6. FITS TO CONNECTORS ACC. TO DIN 72585/ISO 15170 FORM A AND B AND PIN-HOUSING 2-4POS. TYCO-PN 967402
  - 7. FOR SUITABLE CONTACTS SEE DRAWING: TYCO-PN:1355065  
 MAX. WIRE THICKNESS: 2.5qmm FLR  
 FOR SUITABLE SEALS SEE DRAWING: TYCO-PN:1355070
  - 8. BULK PACKING IN CARDBOARD BOX
  - 9 COLOR OF SOCKET HOUSING ACC.TO CODING.

CODING ACC. TO DIN 72585/ISO15170				USABLE CONTACT-CAVITIES	POS	QTY	MATERIAL	COLOR	DESCRIPTION OF SNGLE PARTS
4 BLUE	3 GREEN	2 GREY	1 BLACK						
4-1813099-3	3-1813099-3	2-1813099-3	1-1813099-3	1, 2 (2POS)	4	1	PA46-GF30	BLACK	COUPLING RING
					3	1	SILICONE RUBBER	ORANGE	SEAL
					2	1	PA6/6T-GF25	YELLOW	SECOND LOCKING DEVICE
					1	1	PBT-GF30	9	2POS SOCKET HSG
4-1813099-2	3-1813099-2	2-1813099-2	1-1813099-2	1-3 (3POS)	4	1	PA46-GF30	BLACK	COUPLING RING
					3	1	SILICONE RUBBER	ORANGE	SEAL
					2	1	PA6/6T-GF25	YELLOW	SECOND LOCKING DEVICE
					1	1	PBT-GF30	9	3POS SOCKET HSG
4-1813099-1	3-1813099-1	2-1813099-1	1-1813099-1	1-4 (4POS)	4	1	PA46-GF30	BLACK	COUPLING RING
					3	1	SILICONE RUBBER	ORANGE	SEAL
					2	1	PA6/6T-GF25	YELLOW	SECOND LOCKING DEVICE
					1	1	PBT-GF30	9	4POS SOCKET HSG
TYCO ORDER NO	TYCO ORDER-NO	TYCO ORDER-NO	TYCO ORDER-NO						

DIMENSIONS: mm		TOLERANCES UNLESS OTHERWISE SPECIFIED: mm		DWN: A. ZHANG 03JUN2005 CHK: R. ZHOU 25OCT2005 APVD: K. QDA 03NOV2005		Tyco Electronics AMP Shanghai, China	
DIMENSIONS: mm TOLERANCES UNLESS OTHERWISE SPECIFIED: mm 1. DIM. ±0.2 2. DIM. ±0.1 3. DIM. ±0.01 4. DIM. ±0.001 ANGLES FINISH		PRODUCT SPEC: 108-101006 APPLICATION SPEC: 114-18255-0 WEIGHT: -		NAME: 2.5mm SOCKET CONNECTOR, 2-4POS WITH SECONDARY LOCKING SIZE: A1 CAGE CODE: 00779 DRAWING NO: 1813099		RESTRICTED TO: - SCALE: 2:1 SHEET: 1 OF 1 REV: 0	