



Chipsmall Limited consists of a professional team with an average of over 10 year of expertise in the distribution of electronic components. Based in Hongkong, we have already established firm and mutual-benefit business relationships with customers from,Europe,America and south Asia,supplying obsolete and hard-to-find components to meet their specific needs.

With the principle of "Quality Parts,Customers Priority,Honest Operation,and Considerate Service",our business mainly focus on the distribution of electronic components. Line cards we deal with include Microchip,ALPS,ROHM,Xilinx,Pulse,ON,Everlight and Freescale. Main products comprise IC,Modules,Potentiometer,IC Socket,Relay,Connector.Our parts cover such applications as commercial,industrial, and automotives areas.

We are looking forward to setting up business relationship with you and hope to provide you with the best service and solution. Let us make a better world for our industry!



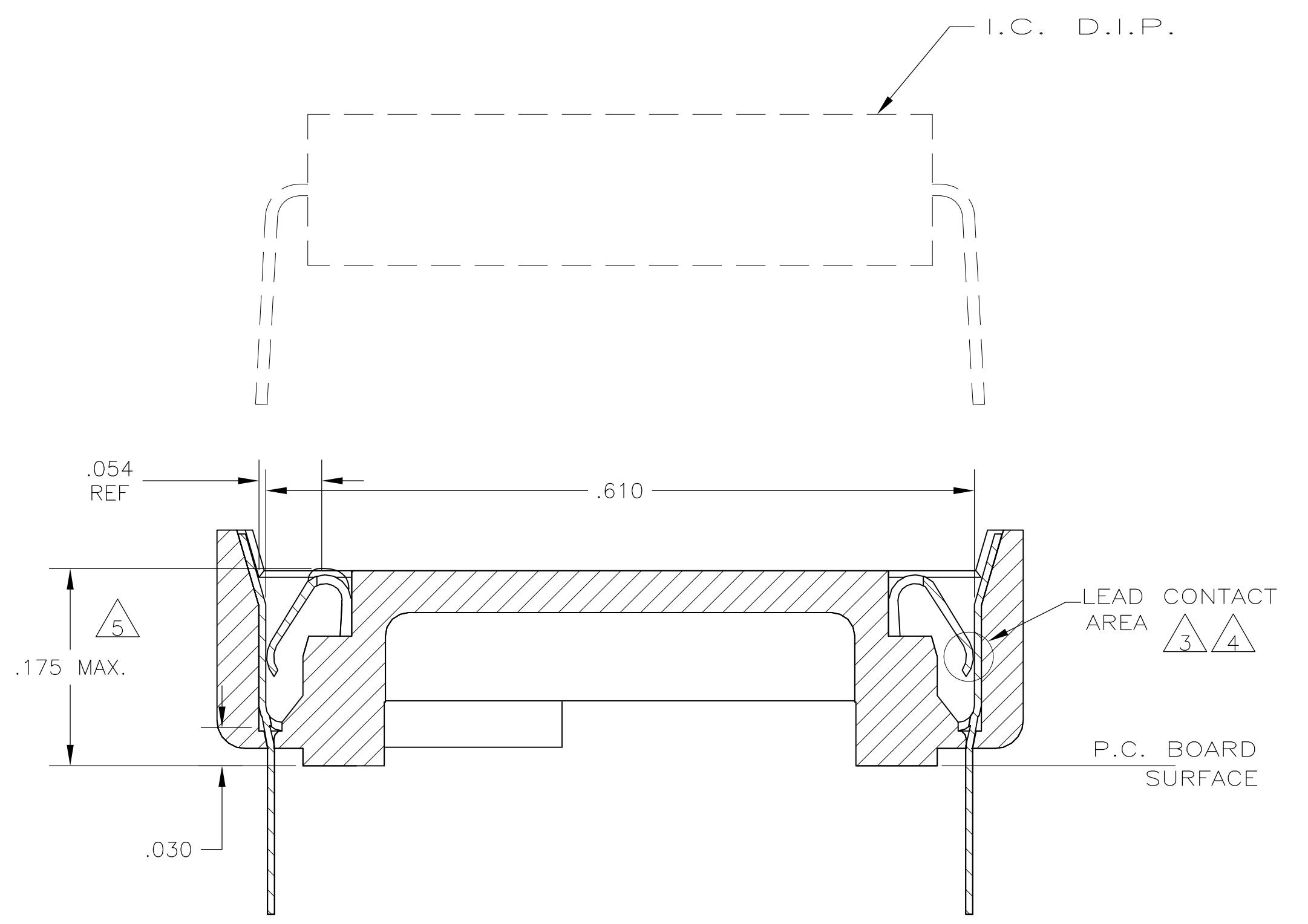
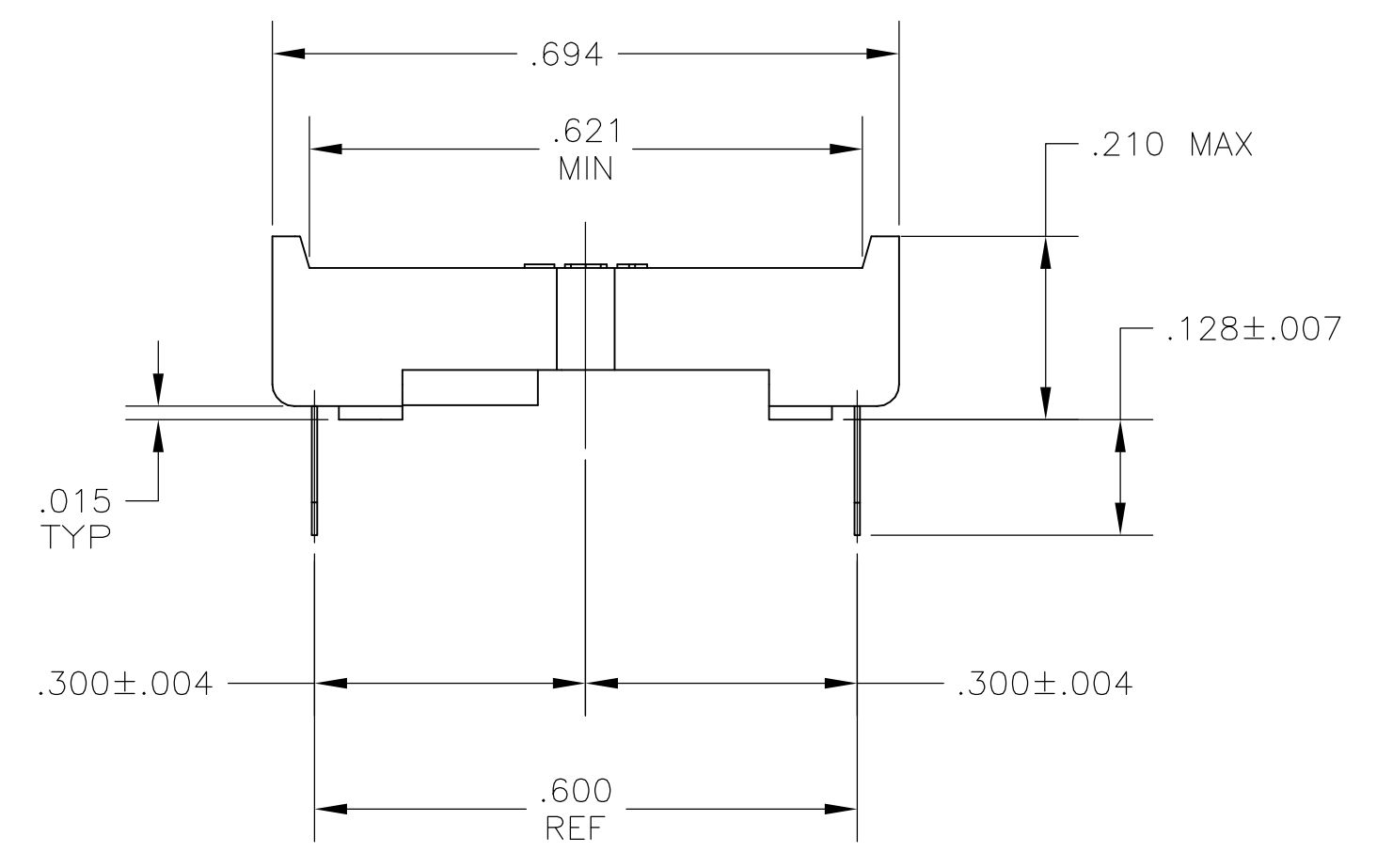
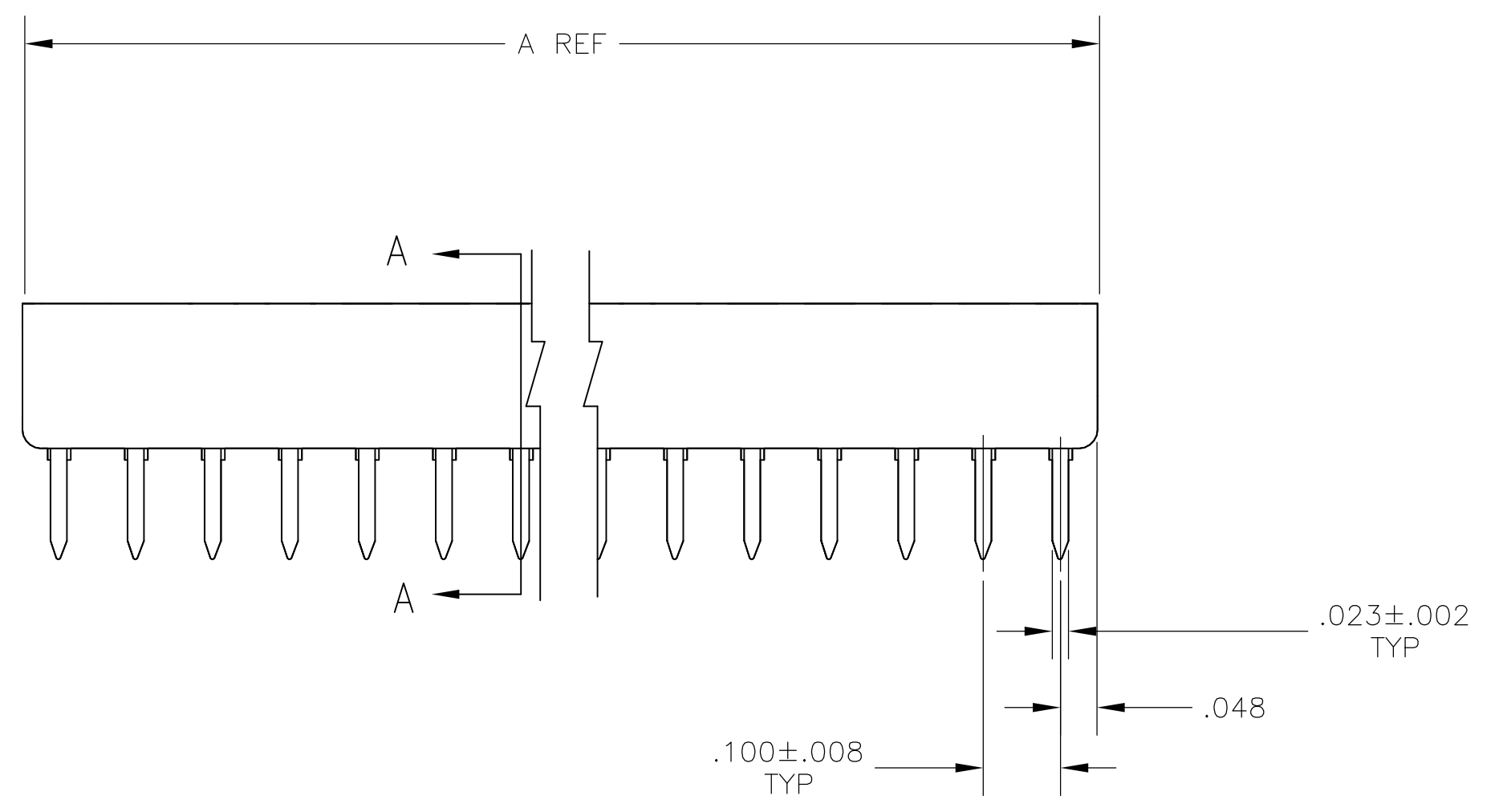
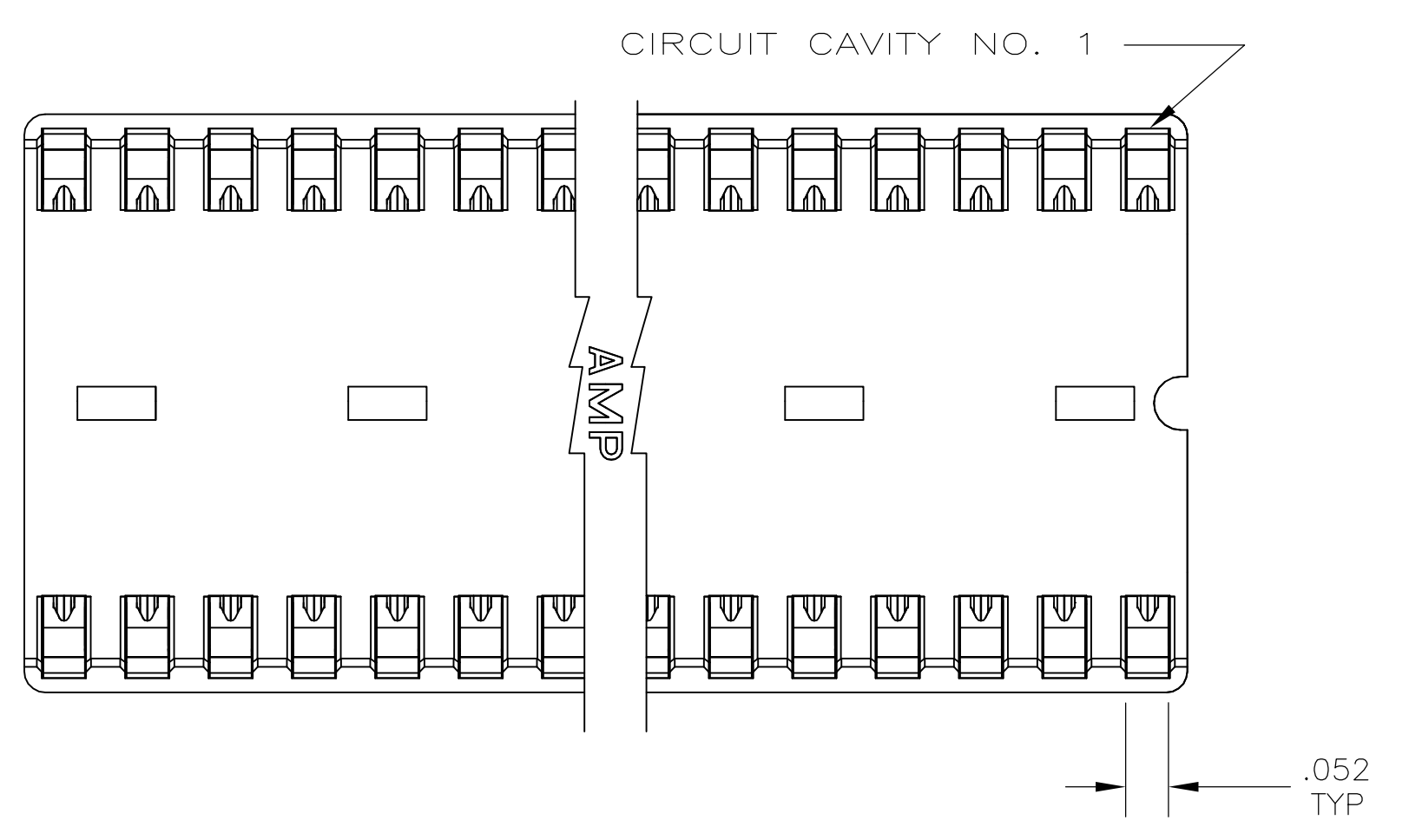
## Contact us

Tel: +86-755-8981 8866 Fax: +86-755-8427 6832

Email & Skype: info@chipsmall.com Web: www.chipsmall.com

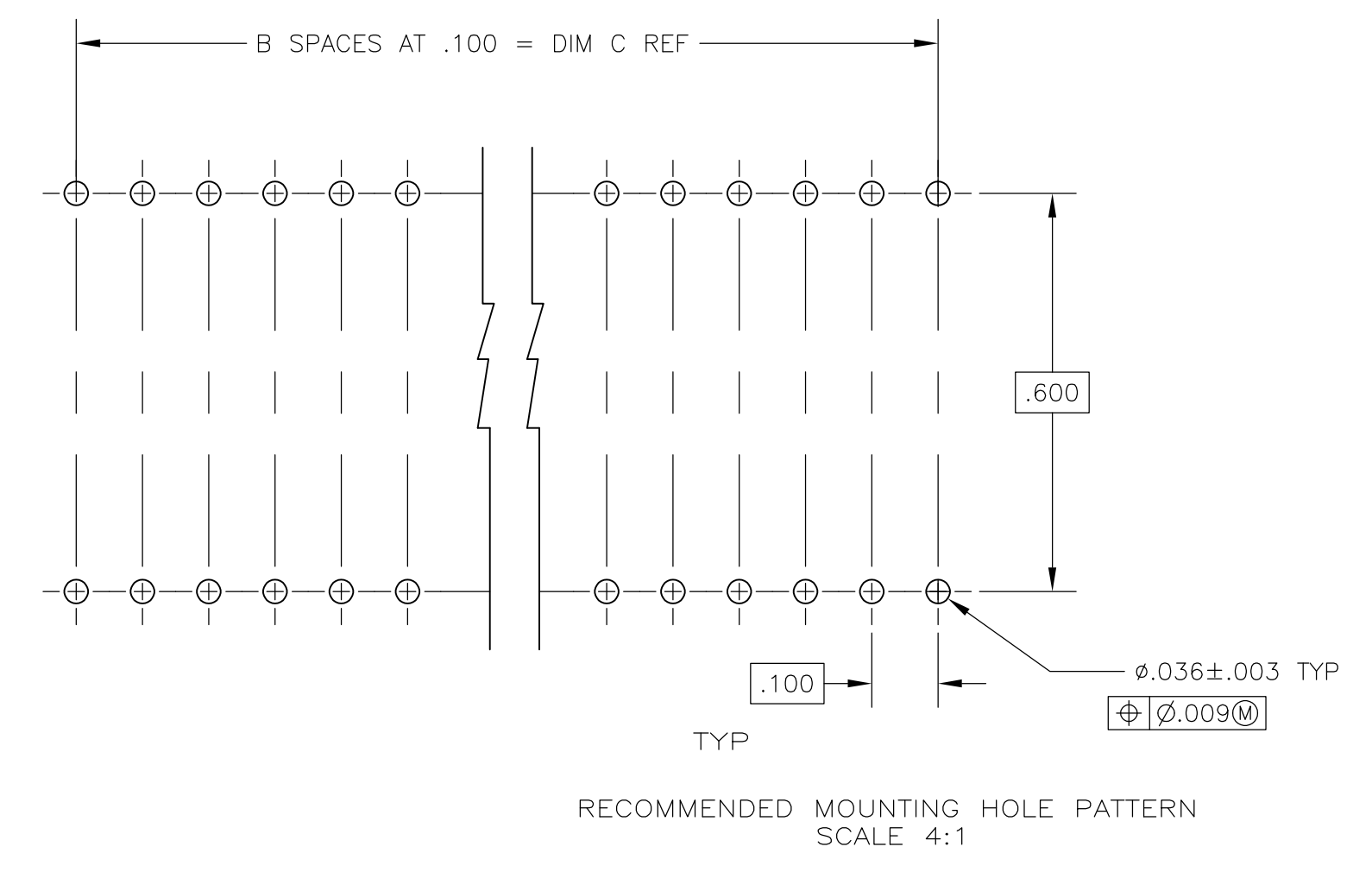
Address: A1208, Overseas Decoration Building, #122 Zhenhua RD., Futian, Shenzhen, China





SECTION A-A  
SCALE 10:1

1. RECEPTACLE ACCEPTS A .008-.014 THICK I.C. LEAD.
2. TUBE LOADED FOR AUTOMATIC INSERTION.
3. BECU CONTACT-PLATED WITH TWO .000030 MIN THK. GOLD STRIPES IN CONTACT AREA WITH TIN ON CONTACT LEGS, BALANCE OF CONTACT NICKEL PLATED.
4. PHOS BRONZE CONTACT-PLATED TWO .000015 MIN THK. GOLD STRIPES IN CONTACT AREA WITH TIN ON CONTACT LEGS, BALANCE OF CONTACT NICKEL PLATED.
5. MAXIMUM DIMENSION FOR I.C. SEATING PLANE.
6. HOUSING MATERIAL- GLASS FILLED THERMOPLASTIC, BLACK, 94V-0



	3	19	40	1-1825108-3	
	1.900	13	1.395	28	1-1825108-2
(B) OBSOLETE	1.100	11	1.195	24	1-1825108-1
	1.900	19	1.995	40	1825108-3
	1.300	13	1.395	28	1825108-2
(B) OBSOLETE	1.100	11	1.195	24	1825108-1

THIS DRAWING IS A CONTROLLED DOCUMENT.		DIN B.S.VISWESWARA 21APR2005		Tyco Electronics Corporation Harrisburg, Pa 17105-3608	
DIMENSIONS: INCHES		TOLERANCES UNLESS OTHERWISE SPECIFIED:		tyco Electronics	
0 PLC	± .005	1 PLC	± .003	DIP SOCKET ASSY, CLOSED, DIPLOMATE, .600 CL, LEAD FREE	
1 PLC	± .003	2 PLC	± .002	PRODUCT SPEC	
2 PLC	± .002	3 PLC	± .001	APPLICATION SPEC	
3 PLC	± .001	4 PLC	± .0005	SIZE CAGE CODE DRAWING NO	
4 PLC	± .0005	ANGLES	± .0005	A1 00779 C=1825108	
MATERIAL		FINISH		RESTRICTED TO	
CUSTOMER DRAWING		SCALE 5:1		SHEET 1 OF 1 REV B	