



Chipsmall Limited consists of a professional team with an average of over 10 year of expertise in the distribution of electronic components. Based in Hongkong, we have already established firm and mutual-benefit business relationships with customers from,Europe,America and south Asia,supplying obsolete and hard-to-find components to meet their specific needs.

With the principle of "Quality Parts,Customers Priority,Honest Operation,and Considerate Service",our business mainly focus on the distribution of electronic components. Line cards we deal with include Microchip,ALPS,ROHM,Xilinx,Pulse,ON,Everlight and Freescale. Main products comprise IC,Modules,Potentiometer,IC Socket,Relay,Connector.Our parts cover such applications as commercial,industrial, and automotives areas.

We are looking forward to setting up business relationship with you and hope to provide you with the best service and solution. Let us make a better world for our industry!



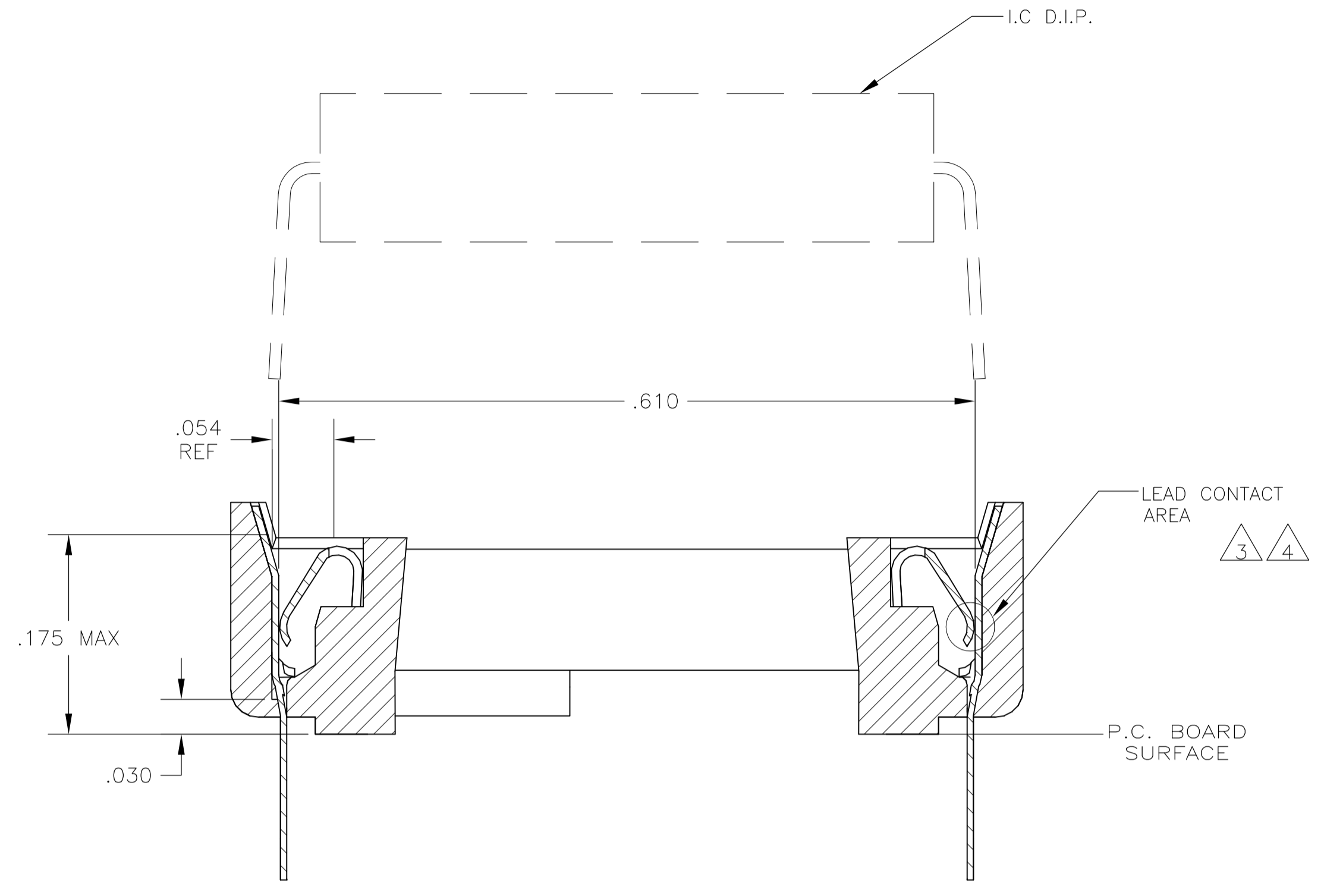
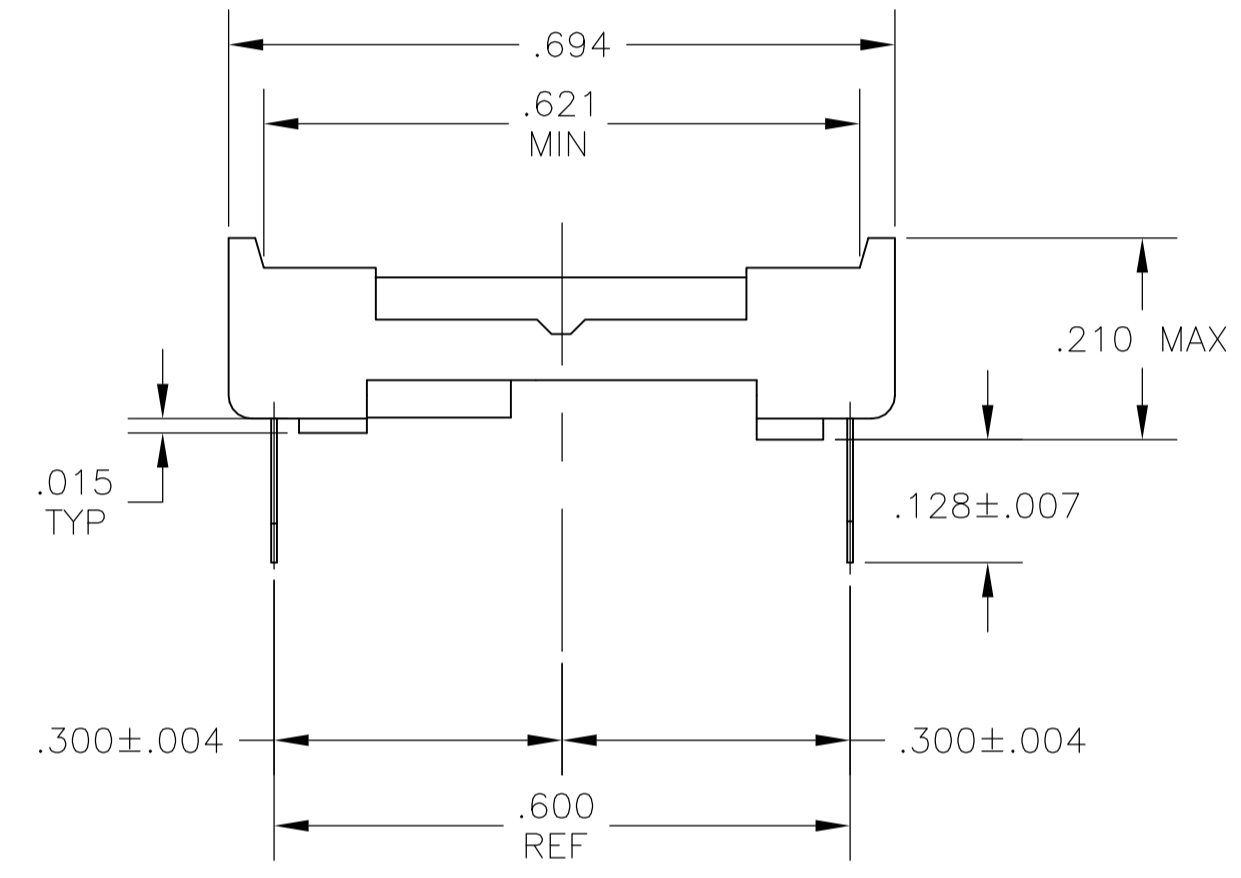
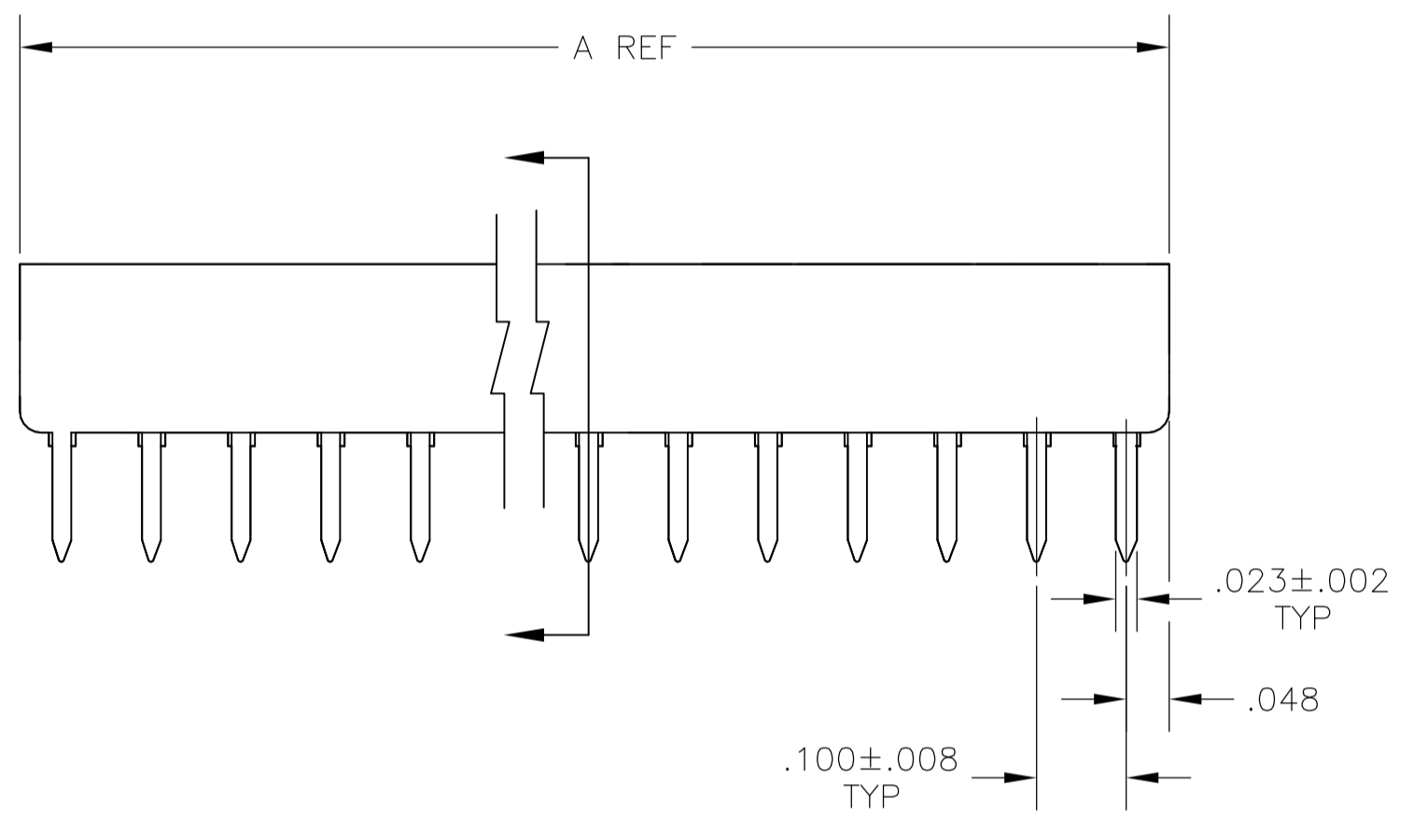
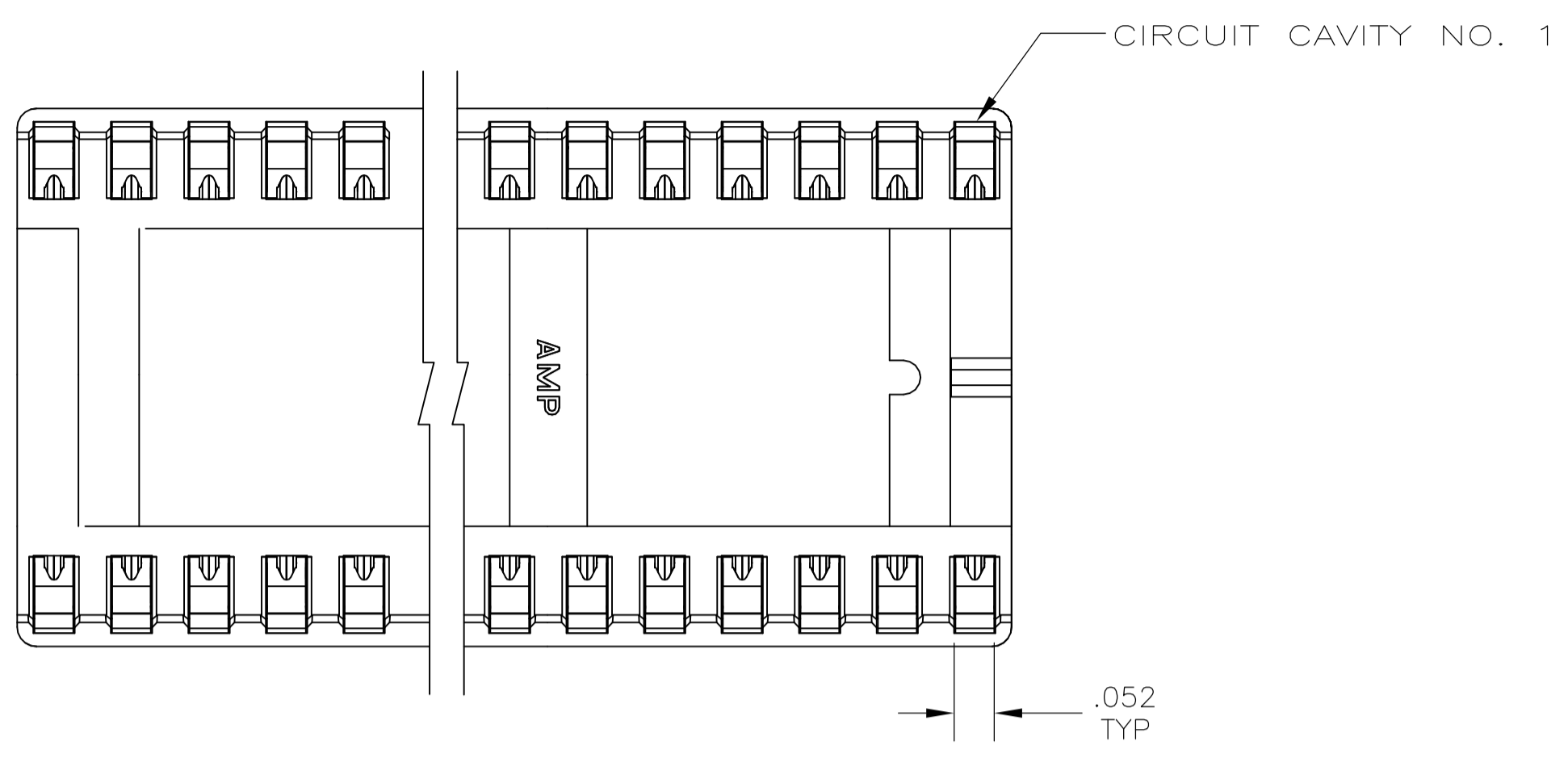
Contact us

Tel: +86-755-8981 8866 Fax: +86-755-8427 6832

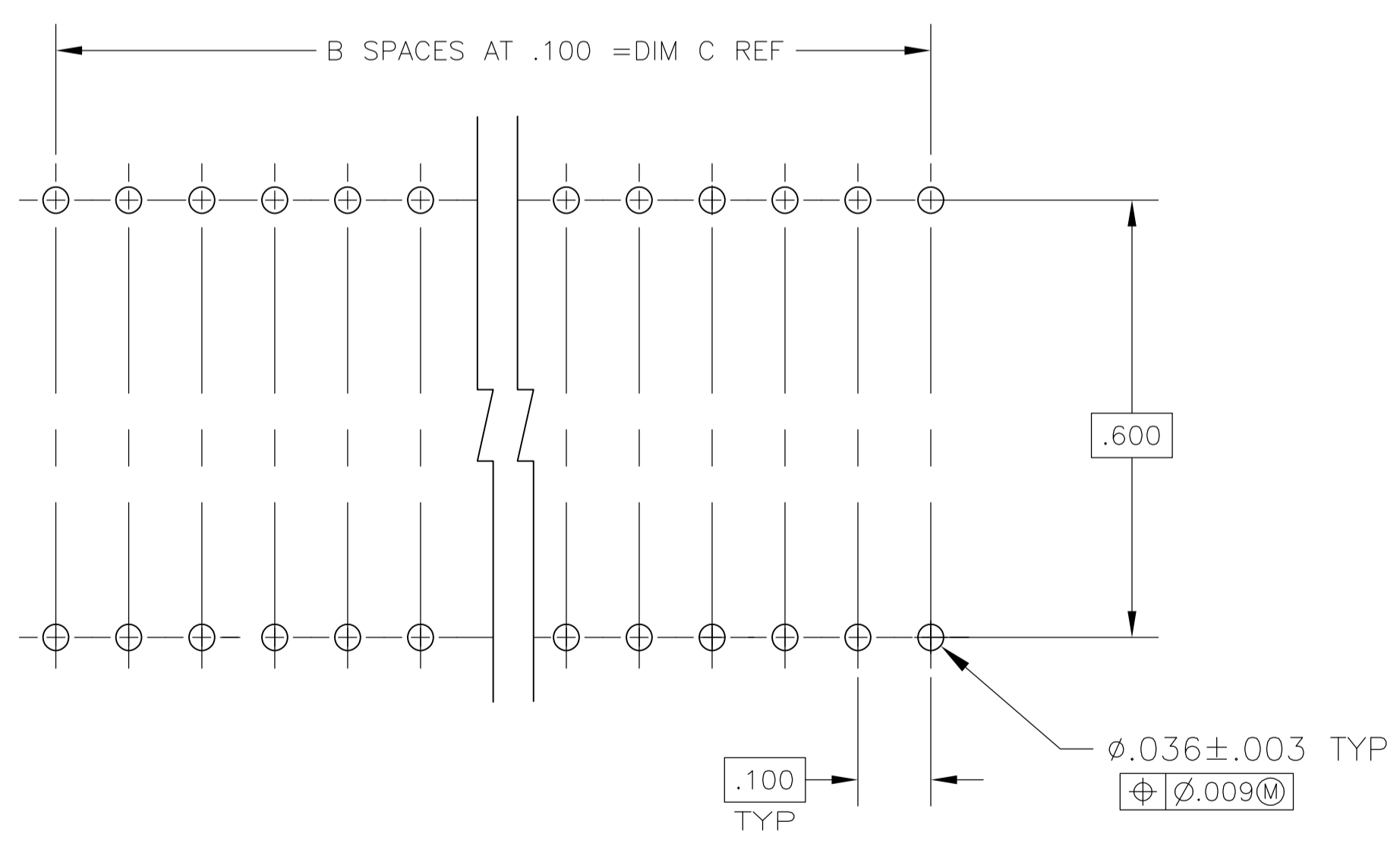
Email & Skype: info@chipsmall.com Web: www.chipsmall.com

Address: A1208, Overseas Decoration Building, #122 Zhenhua RD., Futian, Shenzhen, China





SECTION A-A
SCALE 10:1



RECOMMENDED MOUNTING HOLE PATTERN
SCALE 4:1

- 1 RECEPTACLE ACCEPTS A .008-.014 THICK I.C. LEAD.
- 2 TUBE LOADED FOR AUTOMATIC INSERTION.
- 3 BECU CONTACT - PLATED WITH TWO .000030 MIN THIK. GOLD STRIPES IN CONTACT AREA WITH TIN ON CONTACT LEGS, BALANCE OF CONTACT NICKEL PLATED.
- 4 PHOS. BRZ CONTACT - PLATED WITH TWO .000015 MIN THK. GOLD STRIPES IN CONTACT AREA WITH TIN ON CONTACT LEGS, BALANCE OF CONTACT NICKEL PLATED.
- 5 GLASS FILLED THERMOPLASTIC, 94V-0, BLACK

	3	2.300	23	2.395	48	1-1825109-4
	3	1.900	19	1.995	40	1-1825109-3
	3	1.300	13	1.395	28	1-1825109-2
(B) OBSOLETE	3	1.100	11	1.195	24	1-1825109-1
	4	2.300	23	2.395	48	1825109-4
	4	1.900	19	1.995	40	1825109-3
	4	1.300	13	1.395	28	1825109-2
(B) OBSOLETE	4	1.100	11	1.195	24	1825109-1
		CONTACT & FINISH	DIM C	B SPCS	DIM A	POSITION
						PART NO.

THIS DRAWING IS A CONTROLLED DOCUMENT.

DIMENSIONS: INCHES

TOLERANCES UNLESS OTHERWISE SPECIFIED:

0. PLC	± .005
1. PLC	± .005
2. PLC	± .005
3. PLC	± .005
4. PLC	± .005
ANGLES	± 0°30'

MATERIAL: SEE TABLE

FINISH: SEE TABLE

APPROVED: B.S. VISWESWARA

CHK: K. WRIGHT

PRODUCT SPEC: 108-1066

APPLICATION SPEC: 114-1049

WEIGHT: -

SIZE: A1

SCALE: 5:1

SHEET: 1 OF 1

REV: B

tyco Electronics

Tyco Electronics Corporation
Harrisburg, Pa 17105-3608

DIP SOCKET ASSY, LADDER, DIPLOMATE, .600 CL, LEAD FREE

CUSTOMER DRAWING