



Chipsmall Limited consists of a professional team with an average of over 10 year of expertise in the distribution of electronic components. Based in Hongkong, we have already established firm and mutual-benefit business relationships with customers from,Europe,America and south Asia,supplying obsolete and hard-to-find components to meet their specific needs.

With the principle of “Quality Parts,Customers Priority,Honest Operation,and Considerate Service”,our business mainly focus on the distribution of electronic components. Line cards we deal with include Microchip,ALPS,ROHM,Xilinx,Pulse,ON,Everlight and Freescale. Main products comprise IC,Modules,Potentiometer,IC Socket,Relay,Connector.Our parts cover such applications as commercial,industrial, and automotives areas.

We are looking forward to setting up business relationship with you and hope to provide you with the best service and solution. Let us make a better world for our industry!



Contact us

Tel: +86-755-8981 8866 Fax: +86-755-8427 6832

Email & Skype: info@chipsmall.com Web: www.chipsmall.com

Address: A1208, Overseas Decoration Building, #122 Zhenhua RD., Futian, Shenzhen, China



THIS DRAWING IS UNPUBLISHED. RELEASED FOR PUBLICATION
 © COPYRIGHT - By - ALL RIGHTS RESERVED.

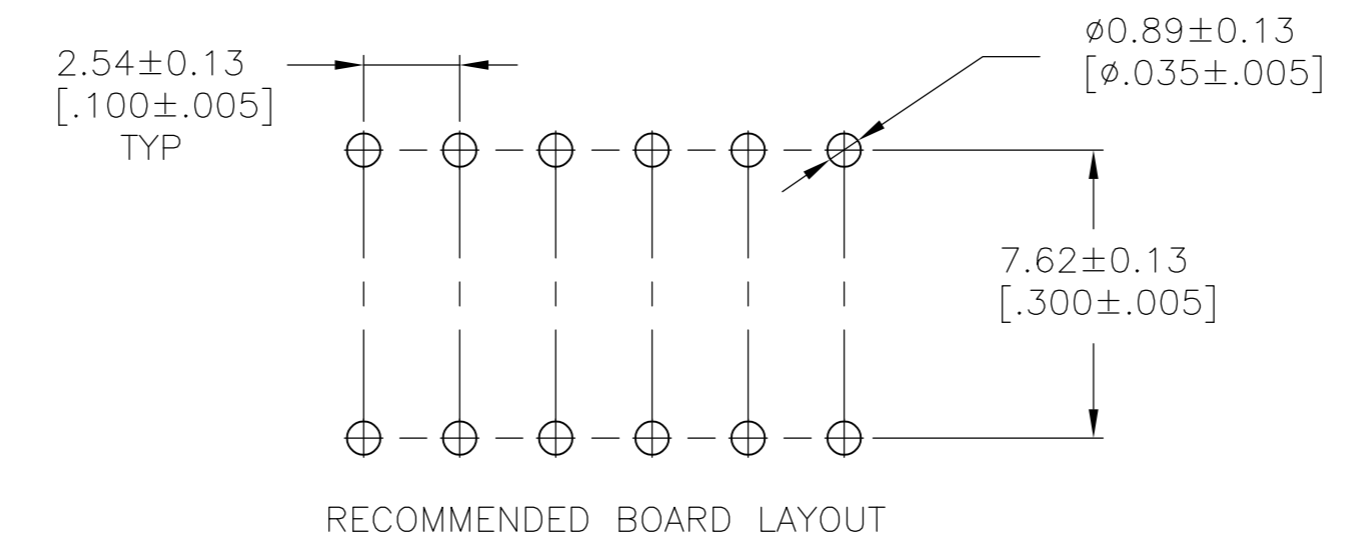
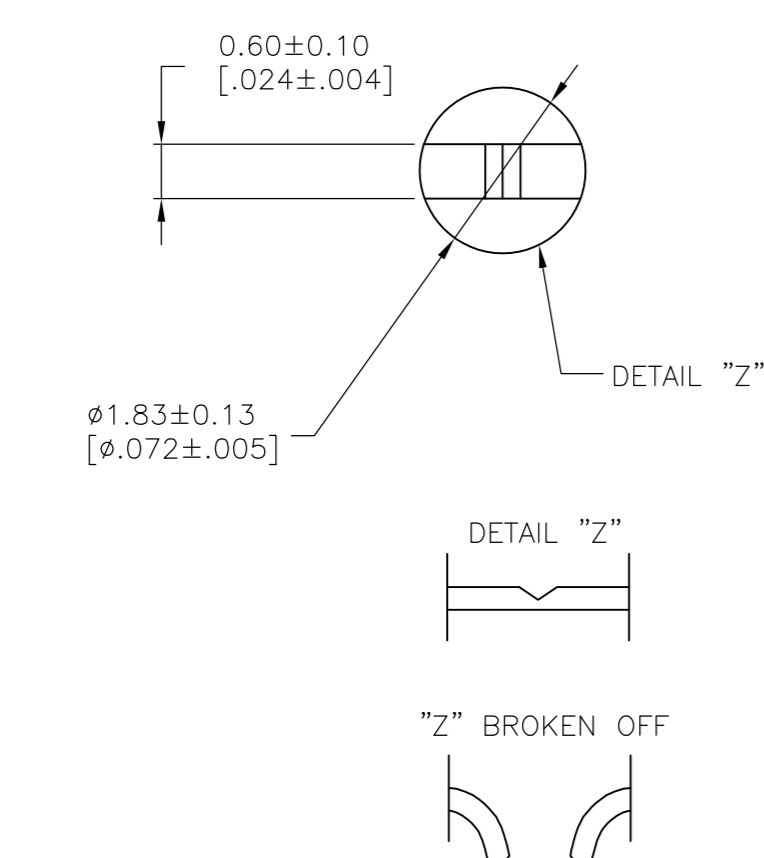
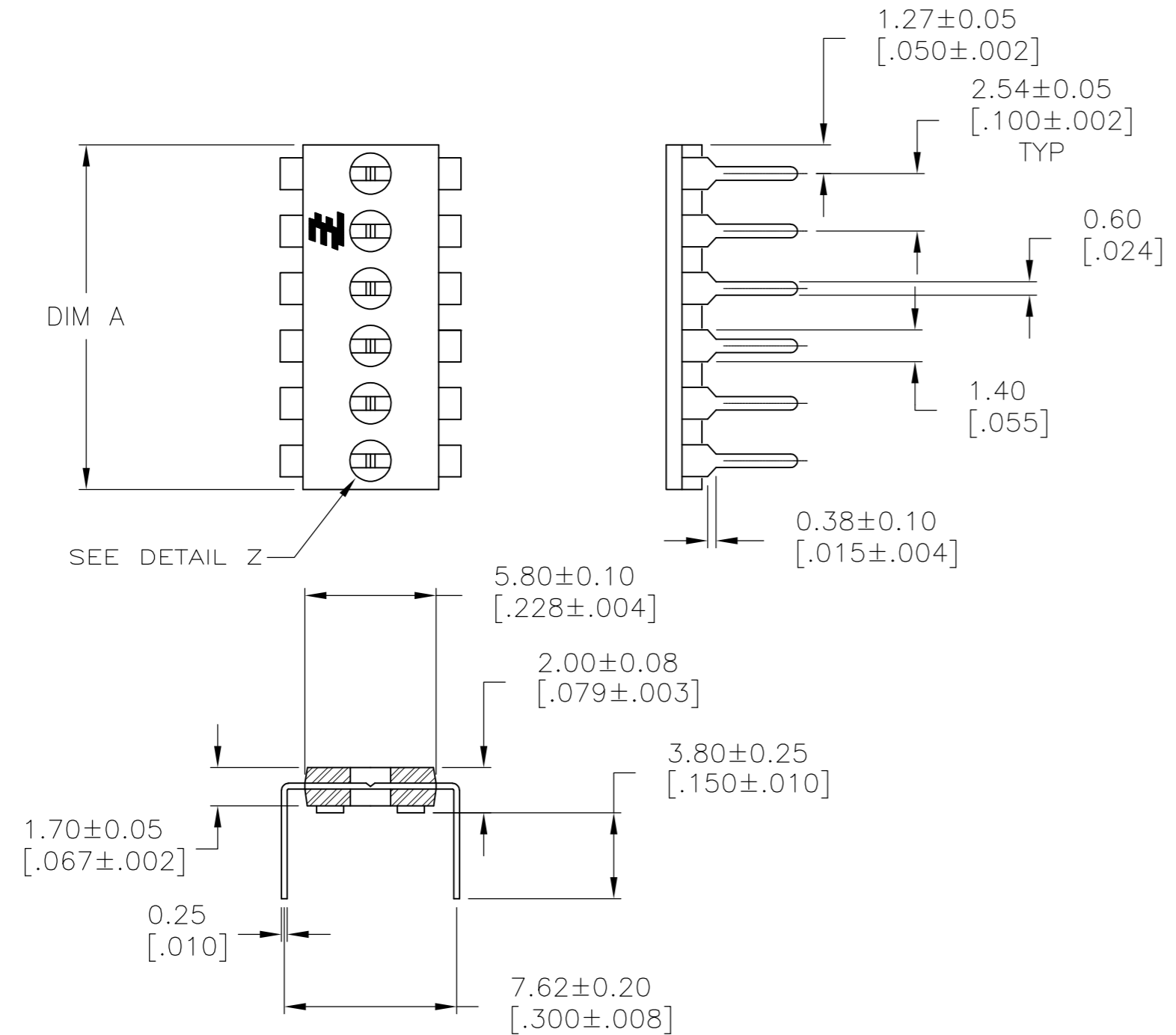
LOC		DIST		REVISIONS			
P	LTR	DESCRIPTION		DATE	DWN	APVD	
AD	00	C		REVISED PER ECO-12-007413	21APR12	KH	PO

SPECIFICATIONS:

MATERIAL:

CASE: HTN 30% GF UL94V-0
 TERMINAL: COPPER ALLOY, TIN OVER NICKEL PLATE

⚠ ALL MATERIALS AND FINISHES SHALL COMPLY WITH EU DIRECTIVE 2002/95/EC OF 27JAN2003 (ROHS)



30.48 [1.200]	12	1-1825190-0
25.40 [1.000]	10	1825190-9
22.86 [.900]	9	1825190-8
20.32 [.800]	8	1825190-7
17.78 [.700]	7	1825190-6
15.24 [.600]	6	1825190-5
12.70 [.500]	5	1825190-4
10.16 [.400]	4	1825190-3
7.62 [.300]	3	1825190-2
2.54 [.200]	2	1825190-1
DIM A	POSITION	PART NO.

THIS DRAWING IS A CONTROLLED DOCUMENT.		DWN	B.S.VISWESWARA	06MAY05
DIMENSIONS: mm [INCHES]		CHK	M.S.SARVER	-
TOLERANCES UNLESS OTHERWISE SPECIFIED:		APVD	M.S.SARVER	-
0 PLC	± -	PRODUCT SPEC	-	-
1 PLC	± -	APPLICATION SPEC	-	-
2 PLC	± 0.03[.001]	-	-	-
3 PLC	± -	-	-	-
4 PLC	± -	-	-	-
ANGLES	± -	-	-	-
MATERIAL	FINISH	WEIGHT	-	-
SEE TABLE	-	CUSTOMER DRAWING	-	-
NAME		SIZE	CAGE CODE	DRAWING NO
SHUNT, DIP, PROGRAMMABLE		A2	00779	C=1825190
RESTRICTED TO		SCALE	SHEET	REV
-		4:1	1 of 1	C