



Chipsmall Limited consists of a professional team with an average of over 10 year of expertise in the distribution of electronic components. Based in Hongkong, we have already established firm and mutual-benefit business relationships with customers from,Europe,America and south Asia,supplying obsolete and hard-to-find components to meet their specific needs.

With the principle of “Quality Parts,Customers Priority,Honest Operation,and Considerate Service”,our business mainly focus on the distribution of electronic components. Line cards we deal with include Microchip,ALPS,ROHM,Xilinx,Pulse,ON,Everlight and Freescale. Main products comprise IC,Modules,Potentiometer,IC Socket,Relay,Connector.Our parts cover such applications as commercial,industrial, and automotives areas.

We are looking forward to setting up business relationship with you and hope to provide you with the best service and solution. Let us make a better world for our industry!



## Contact us

Tel: +86-755-8981 8866 Fax: +86-755-8427 6832

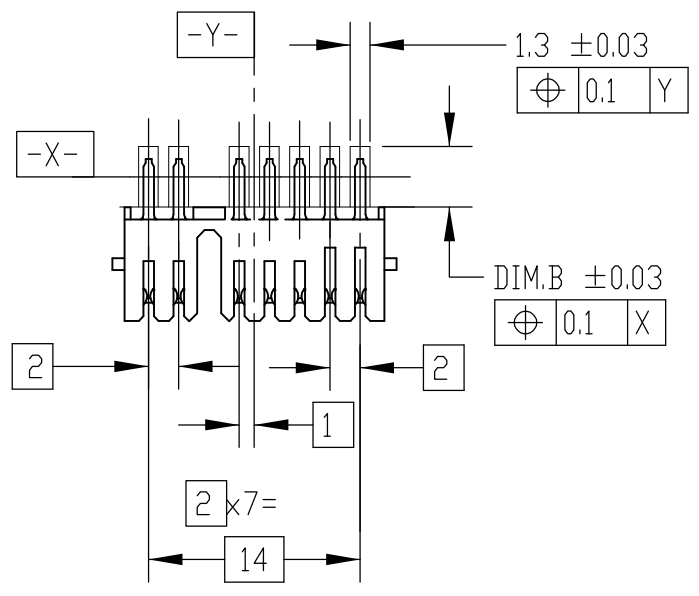
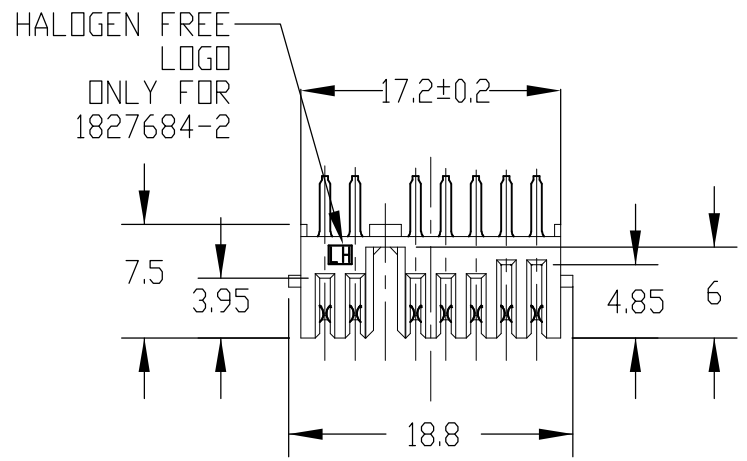
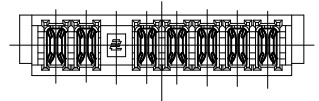
Email & Skype: info@chipsmall.com Web: www.chipsmall.com

Address: A1208, Overseas Decoration Building, #122 Zhenhua RD., Futian, Shenzhen, China



THIS DRAWING IS UNPUBLISHED. RELEASED FOR PUBLICATION 20  
 © COPYRIGHT 20 - ALL RIGHTS RESERVED.

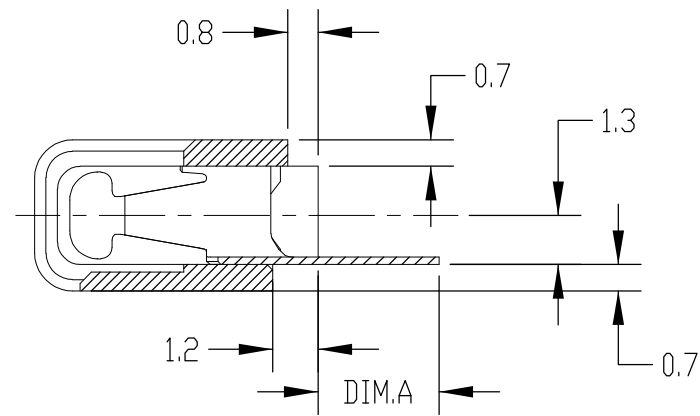
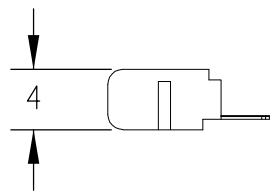
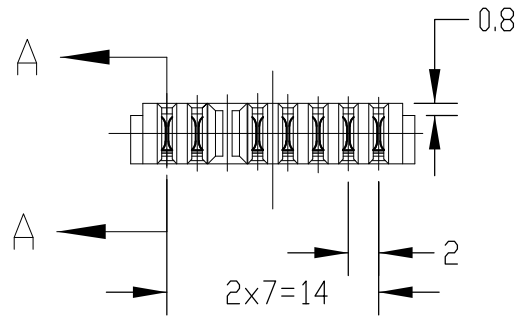
LOC	DIST	REVISIONS				
P	LTR	DESCRIPTION	DATE	DWN	APVD	
ES	-	C1	REVISED PER ECD-11-005033	16APR2011	RK	HMR
		D	REVISED	06JAN2012	Y.W	S.K
		D1	REVISED PER ECD-13-009541	07JUN2013	R.W	S.Y



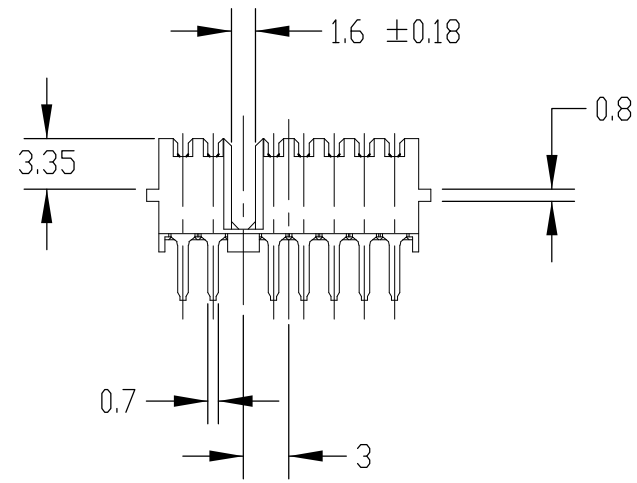
- 1 MATERIAL  
CONTACT COPPER ALLOY  
HOUSING THERMOPLASTIC RESINdUL94V-0 BLACK
- 2 FINISH  
CONTACT NICKEL ALL OVER UNDER PLATING,  
GOLD PLATING AT CONTACT AREA,  
TIN PLATING AT LEAD AREA,

REFERENCE P.C BOARD LAYOUT  
 P.C.BOARD THK. 0.8~1.2  
 (VIEW FROM CONNECTOR MOUNTING SIDE)

SMT TYPE



A-A  
 SCALE 5:1

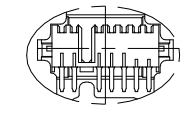
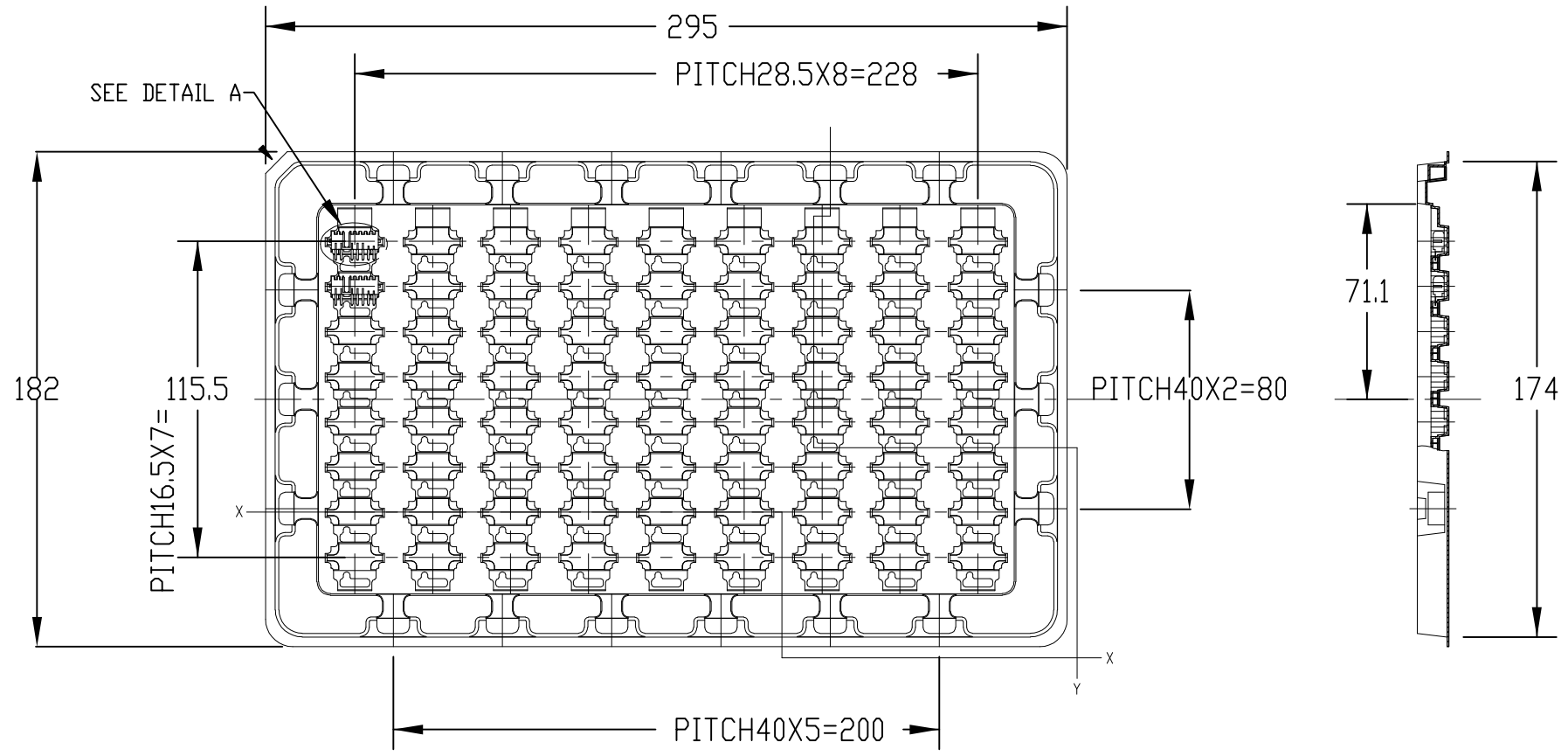


THERMOPLASTIC RESIN(HALOGEN FREE)	2.60	1.80	1-1827684-3
THERMOPLASTIC RESIN(HALOGEN FREE)	4.0	3.20	1-1827684-2
THERMOPLASTIC RESIN(HALOGEN FREE)	2.60	1.80	1827684-3
THERMOPLASTIC RESIN(HALOGEN FREE)	4.0	3.20	1827684-2
THERMOPLASTIC RESIN	4.0	3.20	1827684-1
HOUSING MATERIAL	DIM,B	DIM.A	P/N

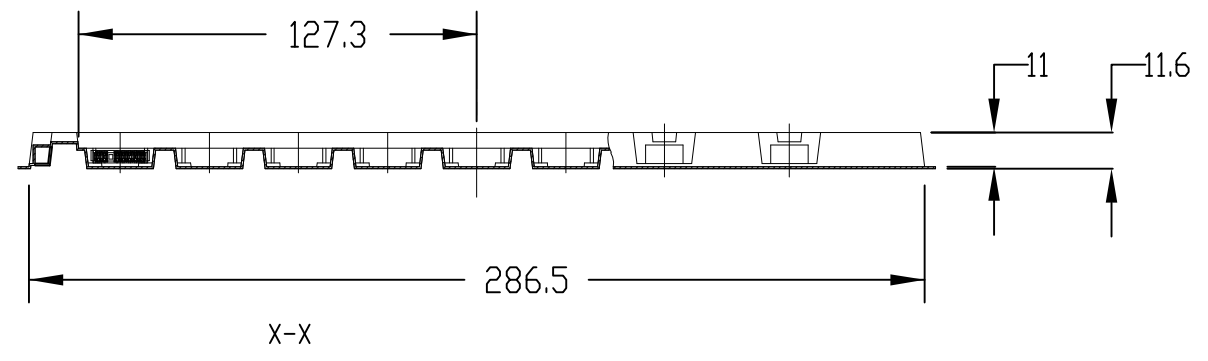
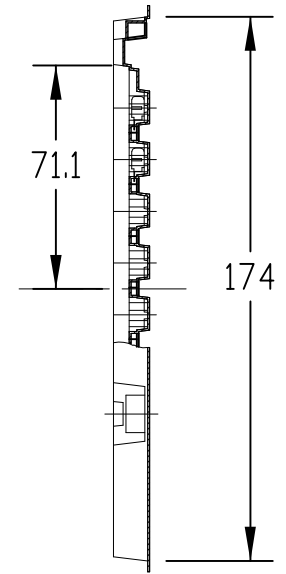
THIS DRAWING IS A CONTROLLED DOCUMENT.		DWN T.KATANO	04 JUL 05	<b>TE</b> TE Connectivity
DIMENSIONS: mm		CHK T.KIMURA	04 JUL 05	
TOLERANCES UNLESS OTHERWISE SPECIFIED: ±0.3		APVD T.KIMURA	04 JUL 05	
0-PLC ± 1-PLC ±0.1 2-PLC ±0.01 3-PLC ±0.001 4-PLC ±0.0001 ANGLES ±3 FINISH		PRODUCT SPEC 108-78292	APPLICATION SPEC -	
MATERIAL 1	FINISH 2	WEIGHT 0.7g	SIZE A3	NAME RECEPTACLE ASSEMBLY 7POS. 2mm PITCH BATTERY CONNECTOR
CUSTOMER DRAWING		CAGE CODE 00779	DRAWING NO C=1827684	RESTRICTED TO -
SCALE 2:1		SHEET 1 OF 2		REV D1

THIS DRAWING IS UNPUBLISHED. RELEASED FOR PUBLICATION 20  
 © COPYRIGHT 20 - ALL RIGHTS RESERVED.

LOC	DIST	REVISIONS			
P	LTR	DESCRIPTION	DATE	DWN	APVD
ES	-	SEE SHEET 1	-	-	-



DETAIL A  
SCALE 1:1



1. 72PCS/TRAY

THIS DRAWING IS A CONTROLLED DOCUMENT.		DWN T.KATANO 04JUL05			
DIMENSIONS: mm		CHK T.KIMURA 04JUL05			
TOLERANCES UNLESS OTHERWISE SPECIFIED: ±0.3		APVD T.KIMURA 04JUL05	NAME RECEPTACLE ASSEMBLY 7POS. 2mm PITCH BATTERY CONNECTOR		
0-PLC ± 1-PLC ±0.1 2-PLC ±0.01 3-PLC ±0.001 4-PLC ±0.0001 ANGLES ±3 FINISH -		PRODUCT SPEC 108-78292	RESTRICTED TO -		
MATERIAL -		APPLICATION SPEC -	SIZE A3	CAGE CODE 00779	DRAWING NO C=1827684
		WEIGHT 0.7g	SCALE 2:1	SHEET 2 OF 2	REV D1
		CUSTOMER DRAWING			