



Chipsmall Limited consists of a professional team with an average of over 10 year of expertise in the distribution of electronic components. Based in Hongkong, we have already established firm and mutual-benefit business relationships with customers from,Europe,America and south Asia,supplying obsolete and hard-to-find components to meet their specific needs.

With the principle of “Quality Parts,Customers Priority,Honest Operation,and Considerate Service”,our business mainly focus on the distribution of electronic components. Line cards we deal with include Microchip,ALPS,ROHM,Xilinx,Pulse,ON,Everlight and Freescale. Main products comprise IC,Modules,Potentiometer,IC Socket,Relay,Connector.Our parts cover such applications as commercial,industrial, and automotives areas.

We are looking forward to setting up business relationship with you and hope to provide you with the best service and solution. Let us make a better world for our industry!



Contact us

Tel: +86-755-8981 8866 Fax: +86-755-8427 6832

Email & Skype: info@chipsmall.com Web: www.chipsmall.com

Address: A1208, Overseas Decoration Building, #122 Zhenhua RD., Futian, Shenzhen, China

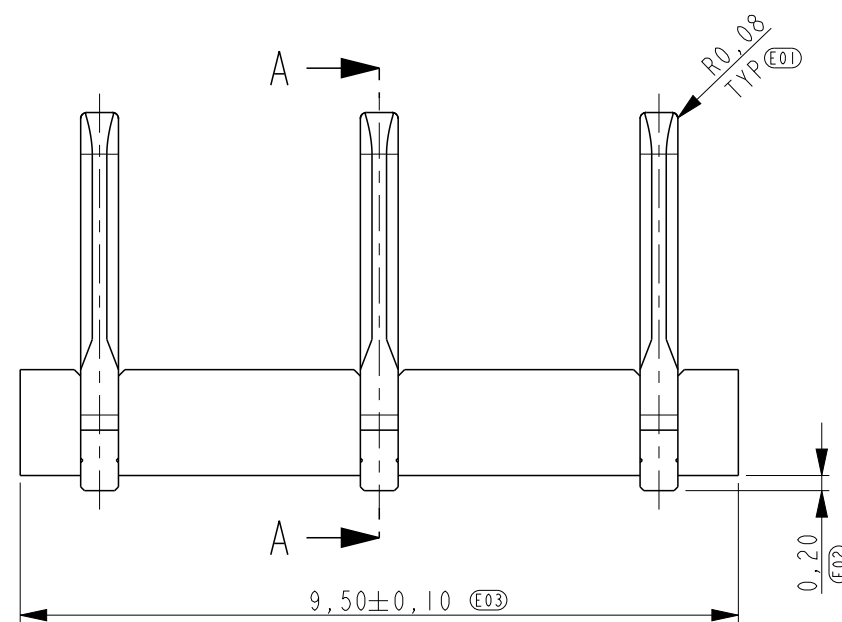
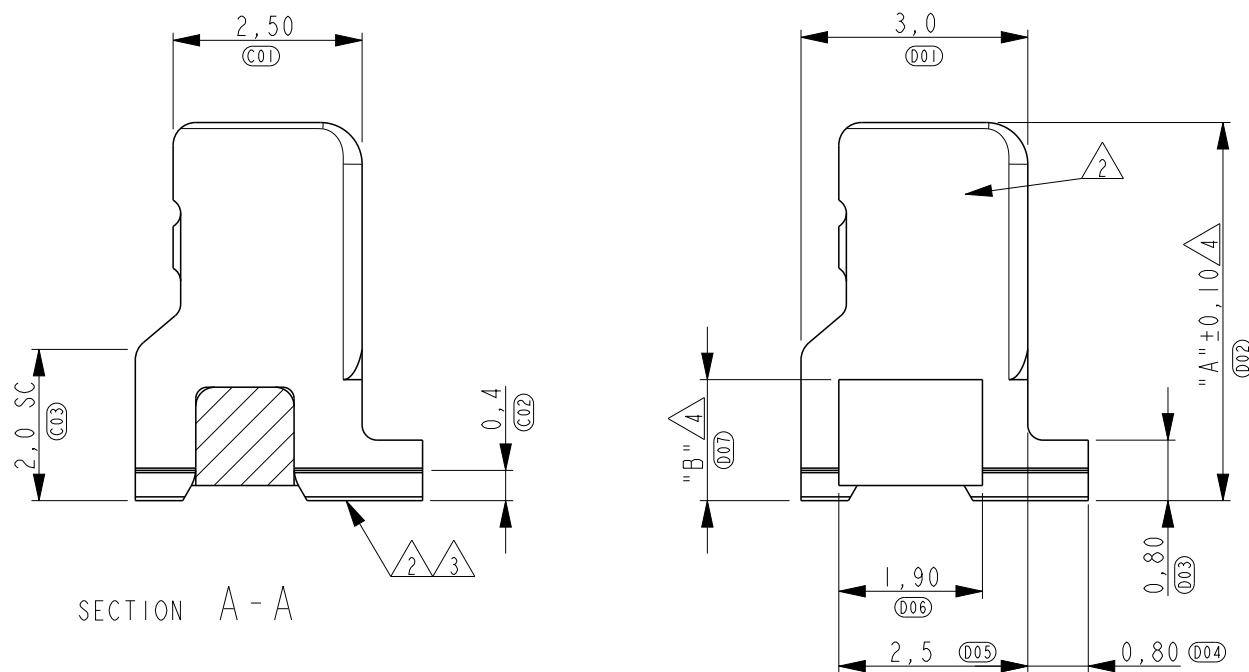
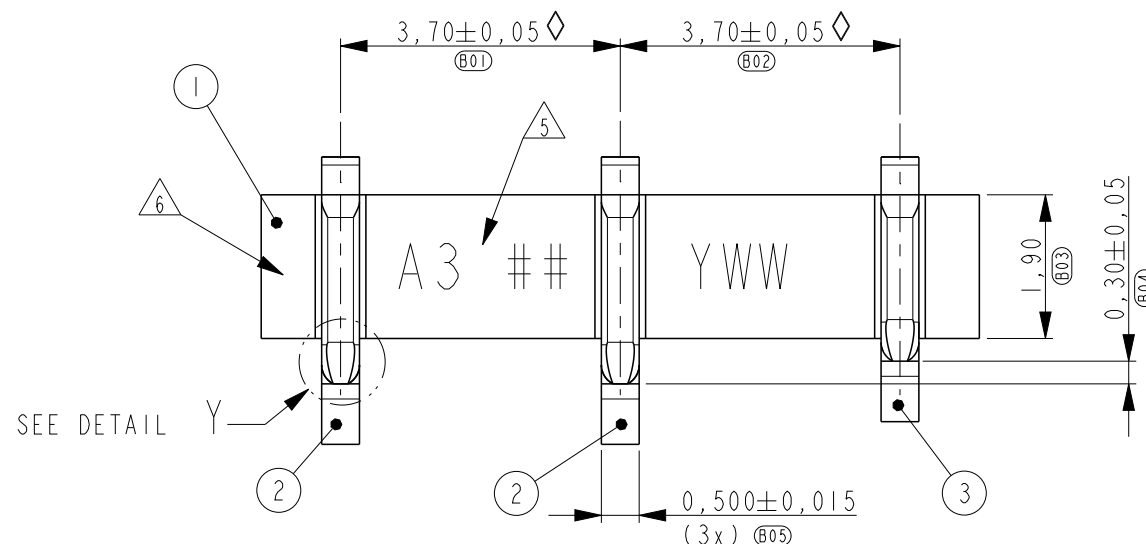
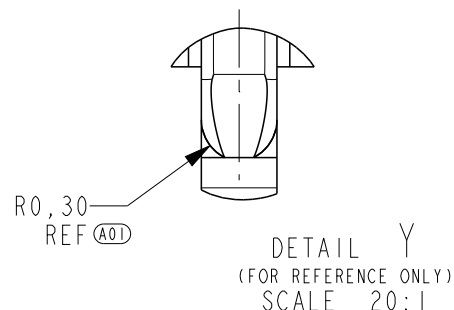


THIS DRAWING IS UNPUBLISHED. RELEASED FOR PUBLICATION
 © COPYRIGHT - BY - ALL RIGHTS RESERVED.

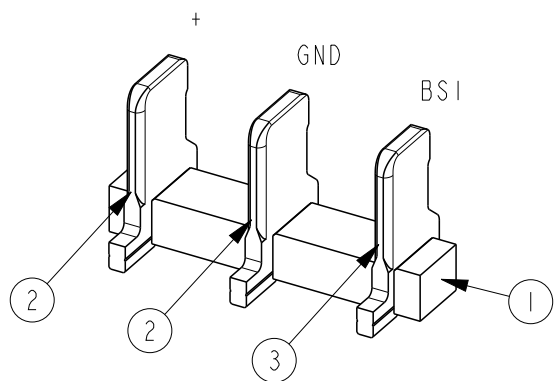
LOC	DIST	REVISIONS					
		P	LTR	DESCRIPTION	DATE	DWN	APVD
H	-		H	ECR-10-018708	09SEP2010	PW	DH
			J	ECR-12-004130	29MAR2012	PW	DH
			JI	ECR-13-013007	9OCT2013	E.L	WK.H

NOTES:

- 1 DRAWING REPRESENTS PART VERSION "A3".
- 2 PLATING:
 1,2µm MIN. NICKEL ALL OVER
 0,8µm MIN. GOLD ON CONTACT AREA
 0,05µm - 0,20µm GOLD ON SOLDER AREA
- 3 COPLANARITY OF SOLDER SURFACES 0,08 MAX.
- 4 DIMENSION DEPENDS ON DISTANCE BETWEEN PWB AND BATTERY, SEE TABLE ON SHEET 4.
- 5 MARKING: VERSION, PROCESS ID (##), PRODUCTION DATE (YWW, YEAR AND WEEK).
- 6 MARKING: CAVITY ID.
- 7 PN 2-1857084-5 AS SHOWN.



ITEM NO.	DESCRIPTION	MATERIAL	FINISH
3	CONTACT, FIRST BREAK	COPPER ALLOY	GOLD PLATED
2	CONTACT, LAST BREAK	COPPER ALLOY	GOLD PLATED
1	HOUSING	PLASTIC, GF	-



THIS DRAWING IS A CONTROLLED DOCUMENT.

DIMENSIONS: mm	TOLERANCES UNLESS OTHERWISE SPECIFIED:
	0 PLC ±-
	1 PLC ±0,2
	2 PLC ±0,1
	3 PLC ±-
	4 PLC ±-
	ANGLES ±-
MATERIAL -	FINISH -

DWN	29 APR 2005
CHK	J. Tuin
APVD	29 APR 2005
APVD	D. Halberstadt
PRODUCT SPEC	108-19276
APPLICATION SPEC	-
WEIGHT	-
CUSTOMER DRAWING	

STE TE Connectivity

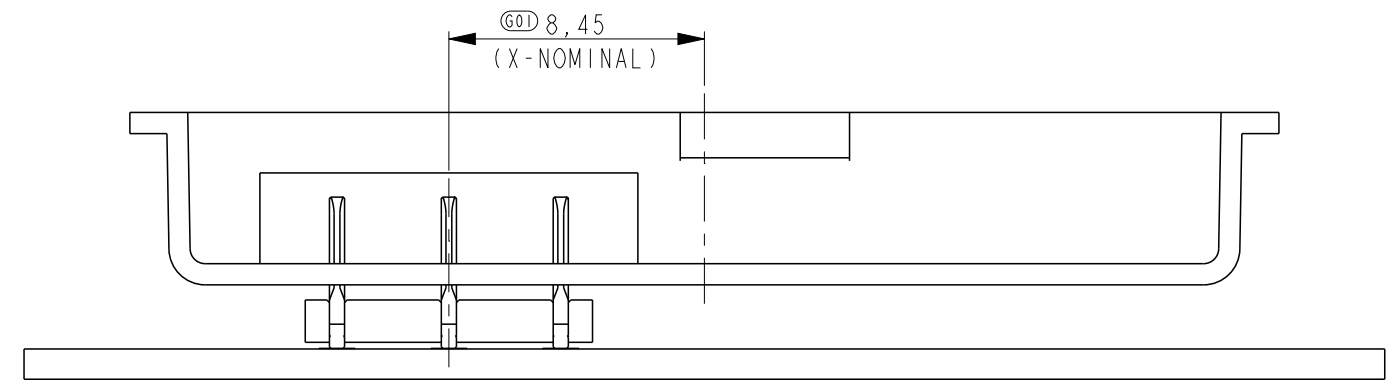
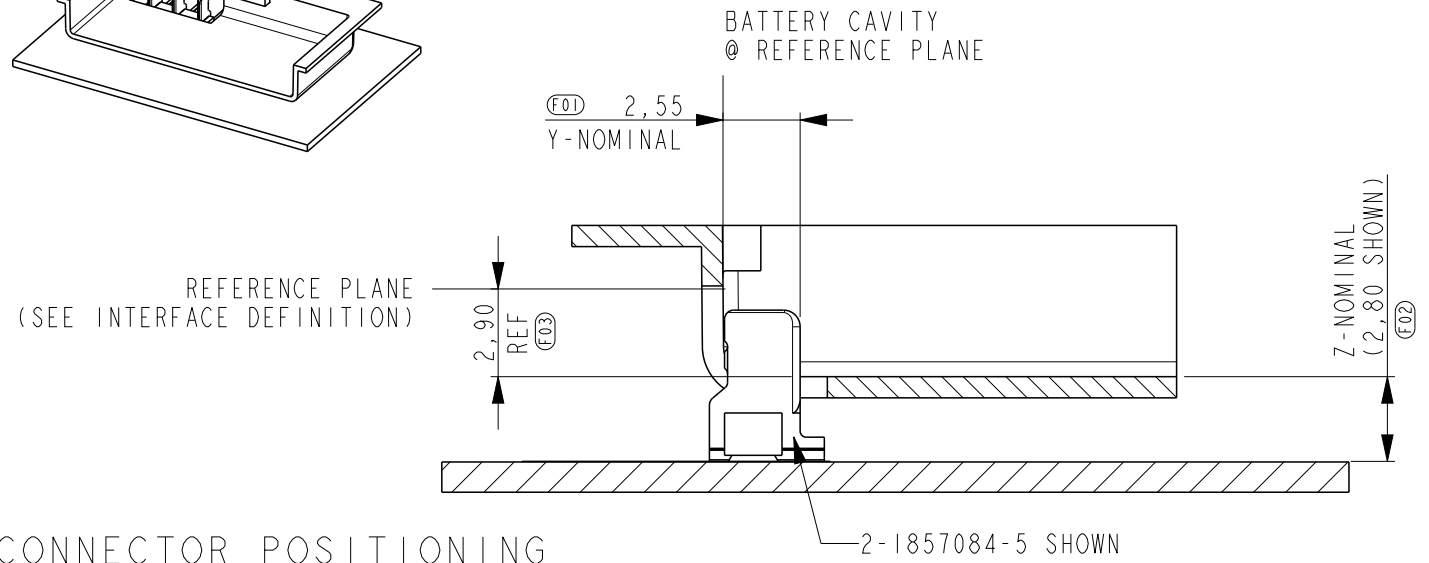
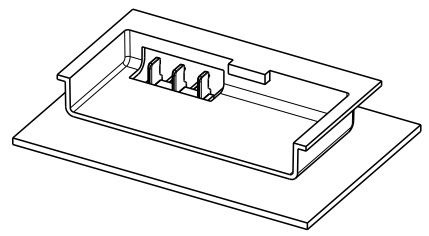
NAME: PLUG CONNECTOR UTB, 3 POSITION BATTERY BLOCK

SIZE	CAGE CODE	DRAWING NO	RESTRICTED TO
A3	00779	C=1857084	-

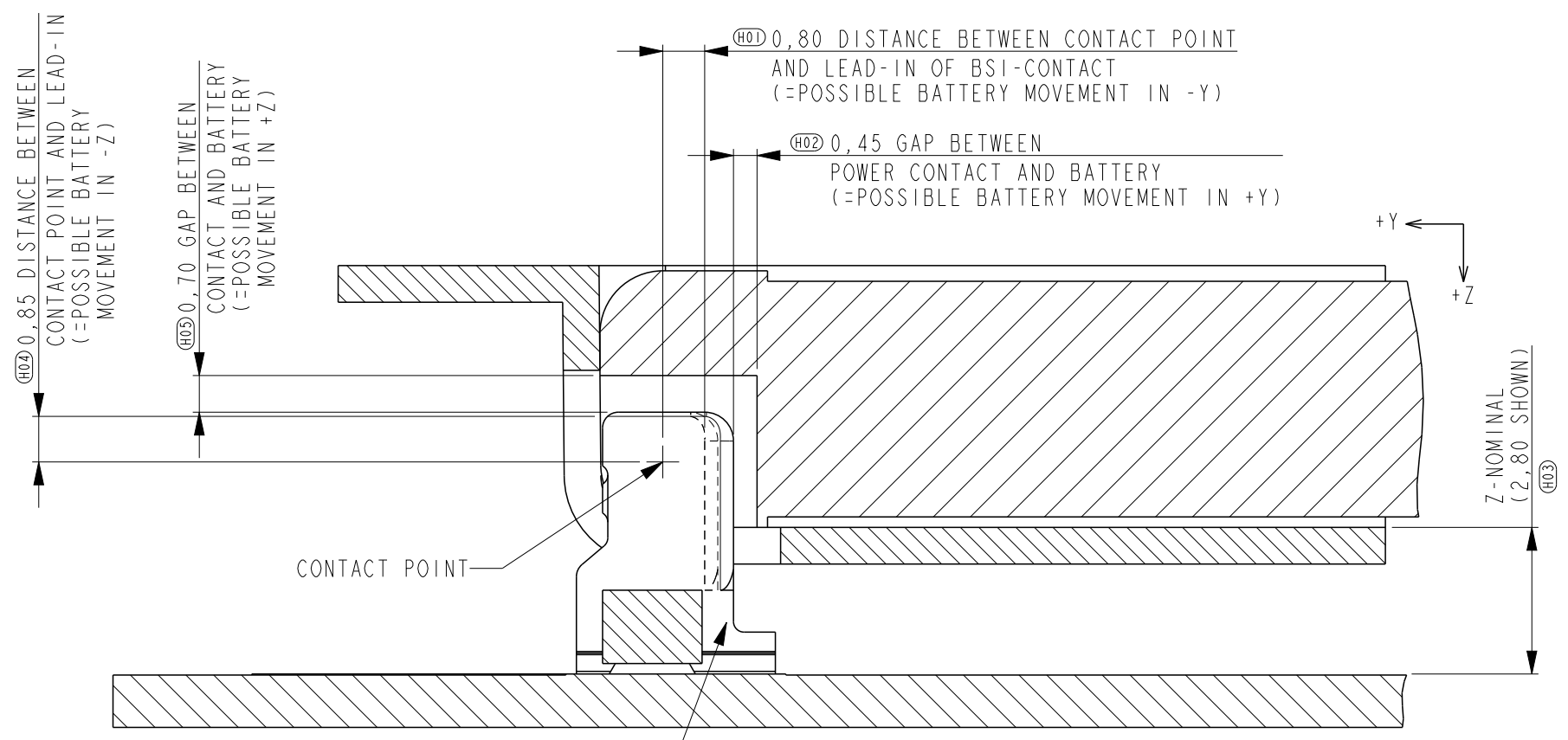
SCALE 10:1 SHEET 1 OF 5 REV JI

THIS DRAWING IS UNPUBLISHED. RELEASED FOR PUBLICATION
 © COPYRIGHT - BY - ALL RIGHTS RESERVED.

LOC	DIST	REVISIONS			
P	LTR	DESCRIPTION	DATE	DWN	APVD
H	-	SEE SHEET 1	-	-	-



CONNECTOR POSITIONING



WORKING RANGE:
 (PERMITTED BATTERY MOVEMENT)

IN X-DIRECTION ±0,50 SYMMETRICAL

IN Y-DIRECTION 1,25 TOTAL
 IN -Y-DIRECTION 0,80
 (BATTERY LENGTH TOLERANCE, PHONE CASE TOLERANCE, ASSEMBLY TOLERANCE, PHONE FLEXIBILITY)
 IN +Y-DIRECTION 0,45
 (ASSEMBLY TOLERANCE, PHONE FLEXIBILITY)

IN Z-DIRECTION 1,55 TOTAL
 IN -Z-DIRECTION 0,85
 (BATTERY FRONT TOLERANCE, PHONE CASE TOLERANCE, PHONE FLEXIBILITY)
 IN +Z-DIRECTION 0,70 (SEE TABLE SHEET 4)
 (PHONE CASE TOLERANCE, PHONE FLEXIBILITY)

THESE VALUES APPLY IF Z-NOMINAL IS IN THE CENTER OF THE RANGE SPECIFIED FOR THE PLUG (AS SHOWN HERE).

WORKING RANGE

SCALE 8:1

THIS DRAWING IS A CONTROLLED DOCUMENT.		DWN J. Tuin 29 APR 2005	TE Connectivity	
		CHK J. Tuin 29 APR 2005		
		APVD D. Halberstadt 29 APR 2005	NAME	
DIMENSIONS: mm		PRODUCT SPEC 108-19276	PLUG CONNECTOR UTB, 3 POSITION BATTERY BLOCK	
TOLERANCES UNLESS OTHERWISE SPECIFIED:		APPLICATION SPEC -	SIZE A3	CAGE CODE 00779
0 PLC ±-		WEIGHT -	DRAWING NO C-1857084	RESTRICTED TO -
1 PLC ±0,2		CUSTOMER DRAWING		
2 PLC ±0,1		SCALE 10:1	SHEET 2 OF 5	REV JI
3 PLC ±-				
4 PLC ±-				
ANGLES ±-				
MATERIAL -				
FINISH -				

4

3

2

1

THIS DRAWING IS UNPUBLISHED.

RELEASED FOR PUBLICATION

© COPYRIGHT - BY - ALL RIGHTS RESERVED.

LOC	DIST	REVISIONS					
H	-	P	LTR	DESCRIPTION	DATE	DWN	APVD
			-	SEE SHEET 1	-	-	-

Z-NOMINAL (01)

NMP CODE	PART NUMBER	Z-NOMINAL RANGE	DIMENSION "A"	DIMENSION "B"	MASS [mg]	+Z DIRECTION MOVEMENT (REF SHEET 3)
5469254	1-1857084-7	>1,7 (1,8 - 2,2)	4,20	1,60	159	+0,40
5469741	2-1857084-0	>2,0 (2,1 - 2,5)	4,50	1,60	174	+0,70
5469743	2-1857084-5	>2,5 (2,6 - 3,0)	5,00	1,60	189	+0,70
5469745	3-1857084-0	>3,0 (3,1 - 3,5)	5,50	2,60	219	+0,70
5469747	3-1857084-5	>3,5 (3,6 - 4,0)	6,00	2,60	235	+0,70
5469749	4-1857084-0	>4,0 (4,1 - 4,5)	6,50	2,60	251	+0,70

1-1857084-7 2-1857084-0 2-1857084-5

3-1857084-0 3-1857084-5 4-1857084-0

PRODUCT SELECTION

2-1857084-0 3-1857084-5

DIMENSIONS:		TOLERANCES UNLESS OTHERWISE SPECIFIED:		APPROVALS		TE Connectivity			
mm		0 PLC	±-	DWN	J. Tuin	NAME			
		1 PLC	±0,2	CHK	J. Tuin	PLUG CONNECTOR UTB, 3 POSITION BATTERY BLOCK			
		2 PLC	±0,1	APVD	J. Tuin				
		3 PLC	±-	PRODUCT SPEC	D. Halberstadt			108-19276	
		4 PLC	±-	APPLICATION SPEC	-			-	
MATERIAL		FINISH		WEIGHT		SIZE	CAGE CODE	DRAWING NO	RESTRICTED TO
-		-		-		A3	00779	C-1857084	-
CUSTOMER DRAWING				SCALE		SHEET		REV	
				10:1		3 OF 5		JI	

1470-19 (3/11)

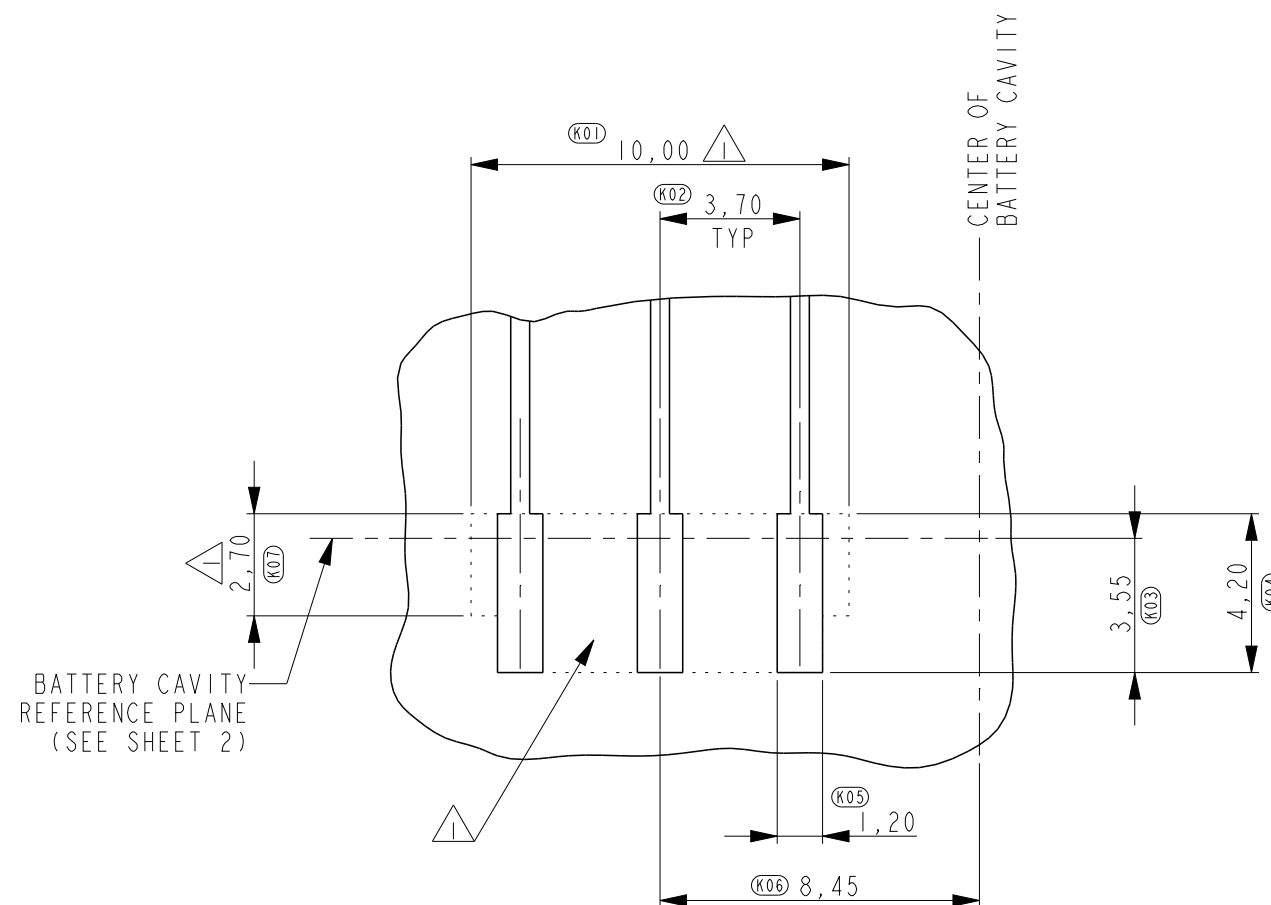
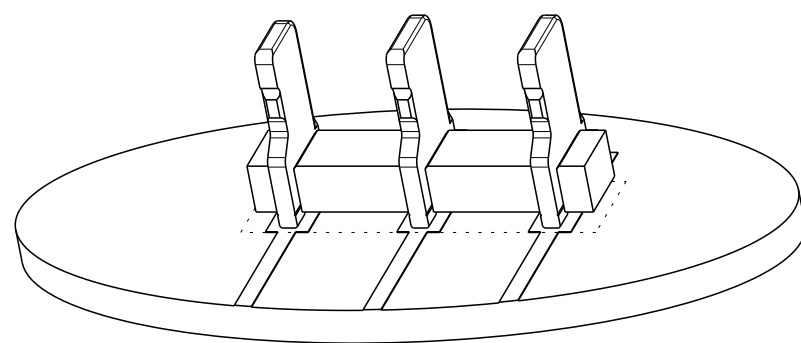
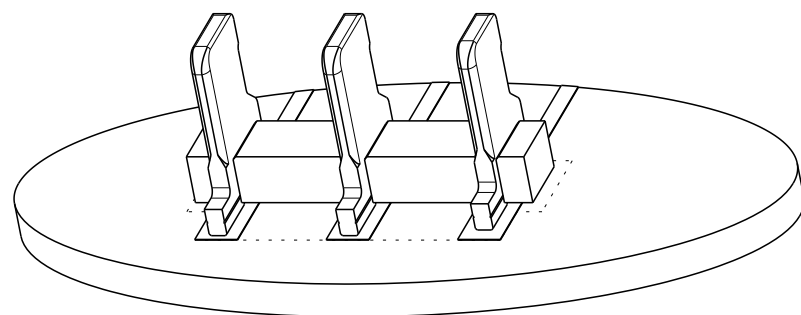
THIS DRAWING IS UNPUBLISHED.

RELEASED FOR PUBLICATION

© COPYRIGHT - BY -


ALL RIGHTS RESERVED.

LOC	DIST	REVISIONS					
H	-	P	LTR	DESCRIPTION	DATE	DWN	APVD
			-	SEE SHEET 1			



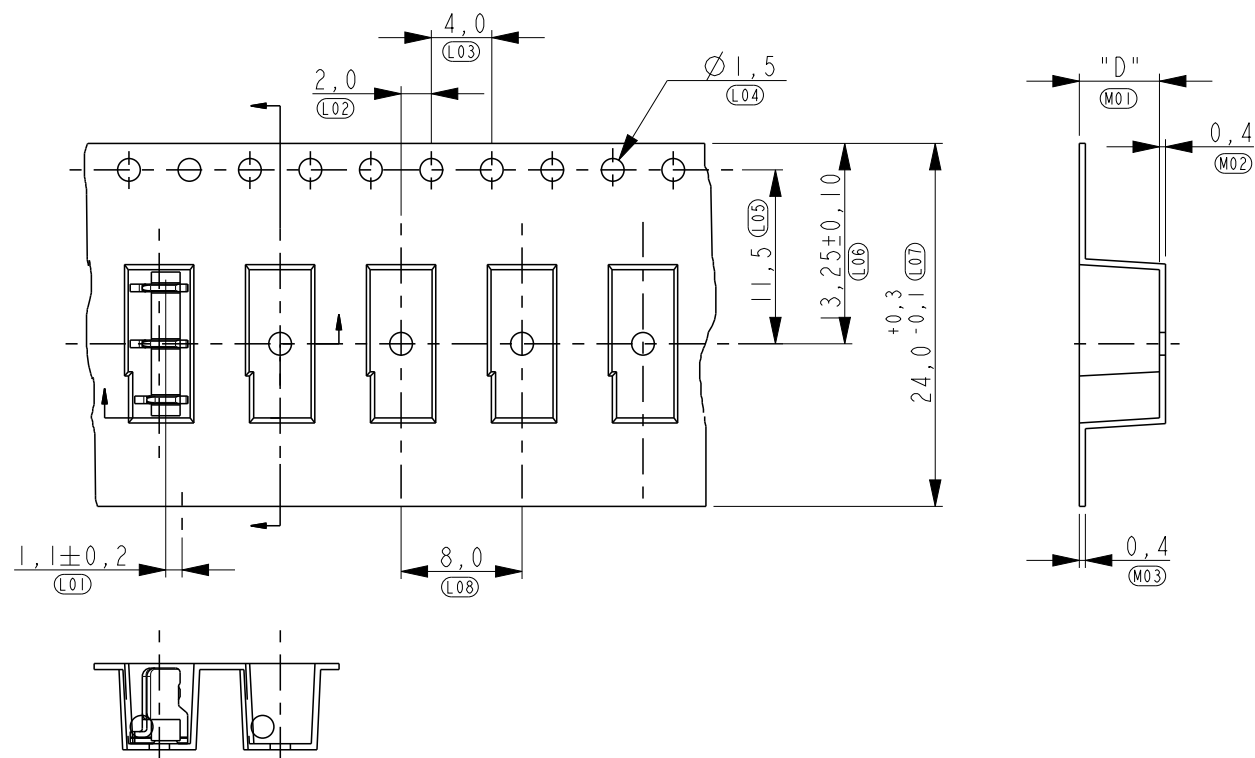
NOTES:

△ AREA FREE OF SOLDER SCREEN.

THIS DRAWING IS A CONTROLLED DOCUMENT.		DWN	29 APR 2005		 TE Connectivity			
DIMENSIONS: mm		CHK	29 APR 2005					
TOLERANCES UNLESS OTHERWISE SPECIFIED:		APVD	29 APR 2005					
0 PLC ±- 1 PLC ±0,2 2 PLC ±0,1 3 PLC ±- 4 PLC ±- ANGLES ±-		PRODUCT SPEC	108-19276					
MATERIAL	FINISH	APPLICATION SPEC	-		NAME	PLUG CONNECTOR UTB, 3 POSITION BATTERY BLOCK		
		WEIGHT	-		SIZE	CAGE CODE	DRAWING NO	RESTRICTED TO
					A3	00779	1857084	
CUSTOMER DRAWING					SCALE	10:1	SHEET	4 OF 5
							REV	J1

THIS DRAWING IS UNPUBLISHED. RELEASED FOR PUBLICATION
 © COPYRIGHT - BY - ALL RIGHTS RESERVED.


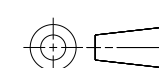
LOC	DIST	REVISIONS					
H	-	P	LTR	DESCRIPTION	DATE	DWN	APVD
			-	SEE SHEET 1	-	-	-



PART NUMBER	QUANTITY PER REEL	DIMENSION "D"
1-1857084-7	1300	4,8
2-1857084-0	1300	4,8
2-1857084-5	1300	5,3
3-1857084-0	1000	6,9
3-1857084-5	1000	6,9
4-1857084-0	1000	6,9

NOTES:

1 REEL DIMENSION: 330x101x24,4.

THIS DRAWING IS A CONTROLLED DOCUMENT.		DWN J. Tuin 29 APR 2005	 TE Connectivity				
DIMENSIONS: mm		CHK J. Tuin 29 APR 2005			NAME		
		APVD D. Halberstadt 29 APR 2005					
TOLERANCES UNLESS OTHERWISE SPECIFIED:		PRODUCT SPEC 108-19276	PLUG CONNECTOR UTB, 3 POSITION BATTERY BLOCK				
0 PLC ±- 1 PLC ±0,2 2 PLC ±0,1 3 PLC ±- 4 PLC ±- ANGLES ±-		APPLICATION SPEC -	SIZE A3	CAGE CODE 00779	DRAWING NO C-1857084	RESTRICTED TO -	
MATERIAL - FINISH -		WEIGHT -	CUSTOMER DRAWING		SCALE 10:1	SHEET 5 OF 5	REV J1