



Chipsmall Limited consists of a professional team with an average of over 10 year of expertise in the distribution of electronic components. Based in Hongkong, we have already established firm and mutual-benefit business relationships with customers from,Europe,America and south Asia,supplying obsolete and hard-to-find components to meet their specific needs.

With the principle of “Quality Parts,Customers Priority,Honest Operation,and Considerate Service”,our business mainly focus on the distribution of electronic components. Line cards we deal with include Microchip,ALPS,ROHM,Xilinx,Pulse,ON,Everlight and Freescale. Main products comprise IC,Modules,Potentiometer,IC Socket,Relay,Connector.Our parts cover such applications as commercial,industrial, and automotives areas.

We are looking forward to setting up business relationship with you and hope to provide you with the best service and solution. Let us make a better world for our industry!



Contact us

Tel: +86-755-8981 8866 Fax: +86-755-8427 6832

Email & Skype: info@chipsmall.com Web: www.chipsmall.com

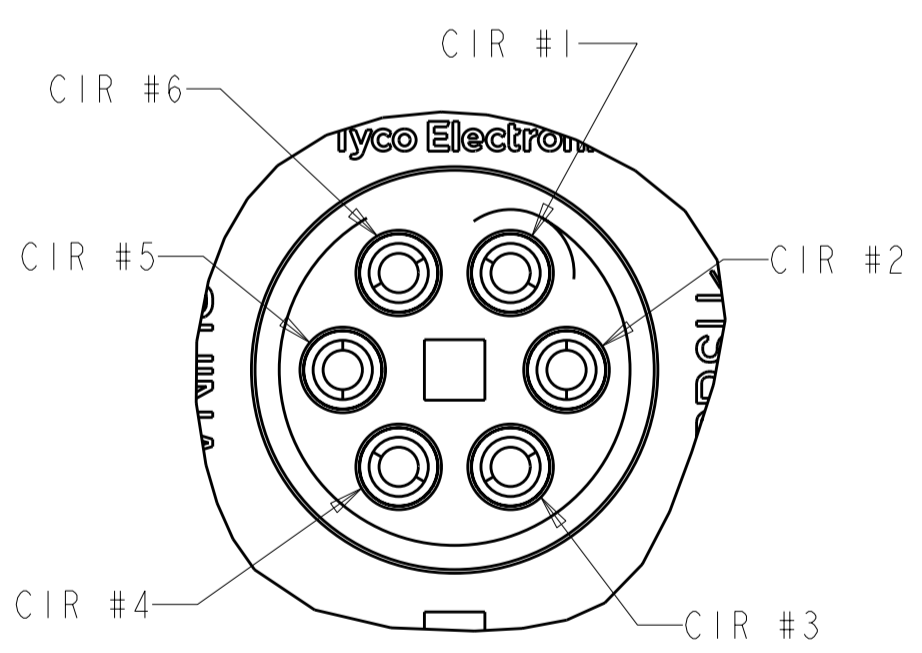
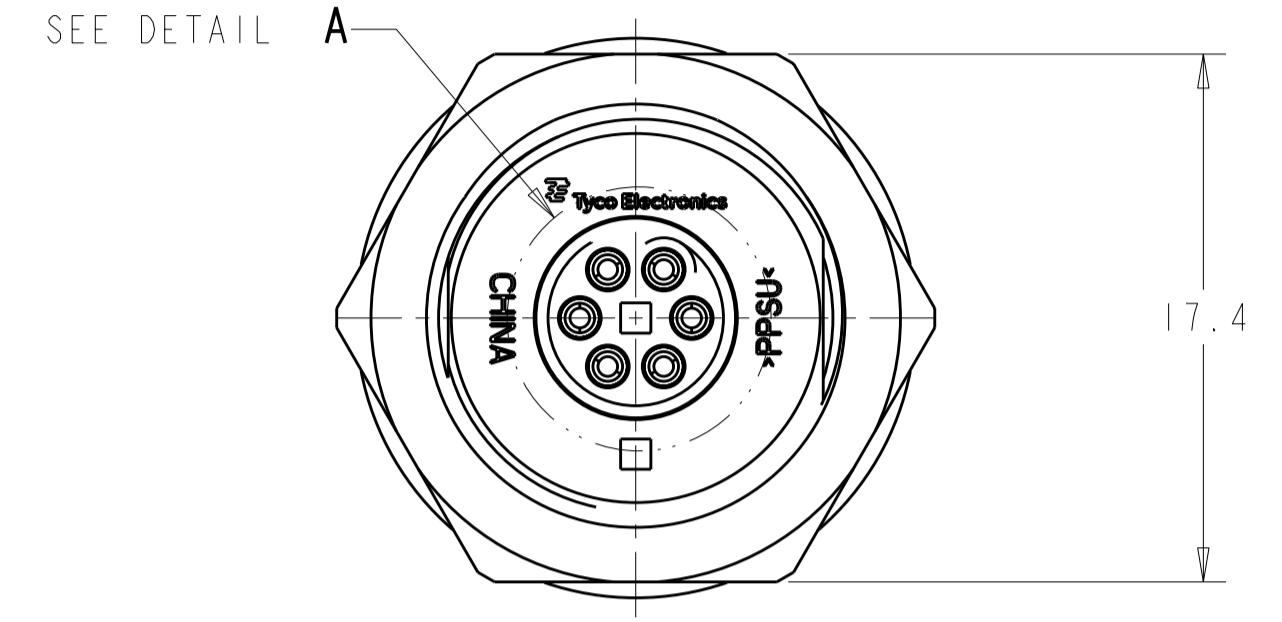
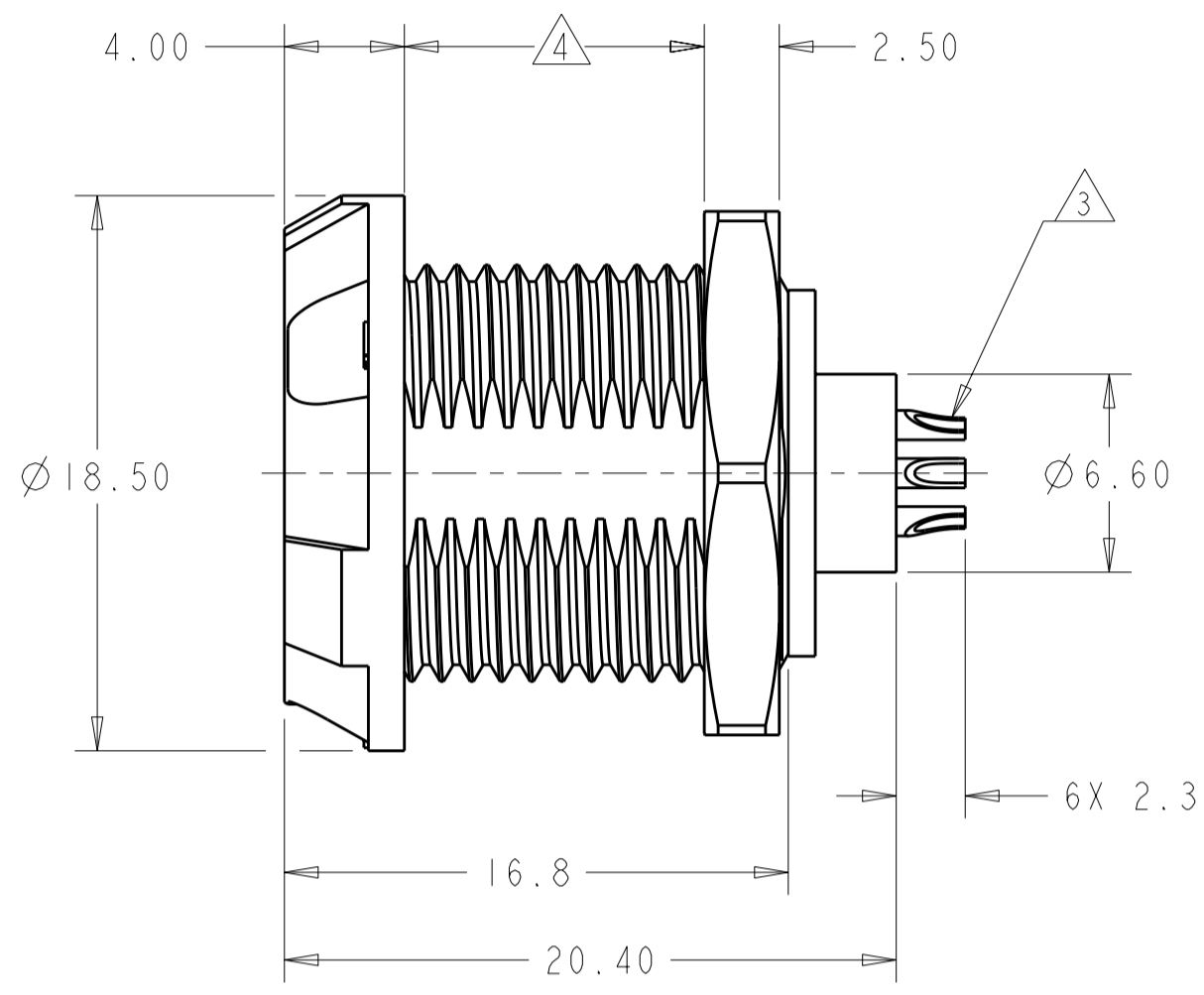
Address: A1208, Overseas Decoration Building, #122 Zhenhua RD., Futian, Shenzhen, China



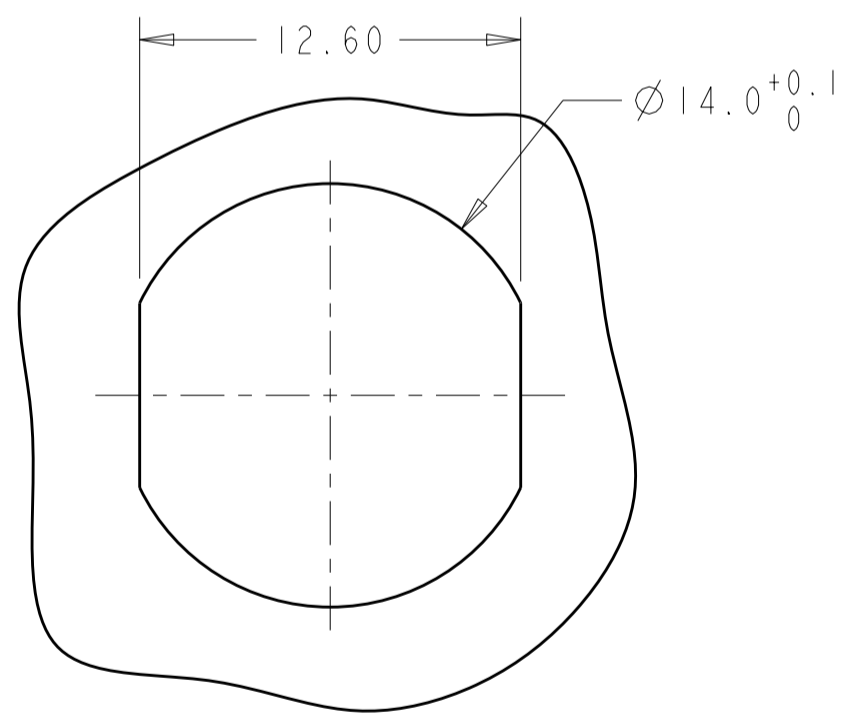
THIS DRAWING IS UNPUBLISHED. RELEASED FOR PUBLICATION 20
 © COPYRIGHT 20 BY - ALL RIGHTS RESERVED.

LOC	DIST	REVISIONS			
P	LTR	DESCRIPTION	DATE	DWN	APVD
AD	00				
	C3	REVISED PER ECO-11-005027	12MAR2011	RK	HMR

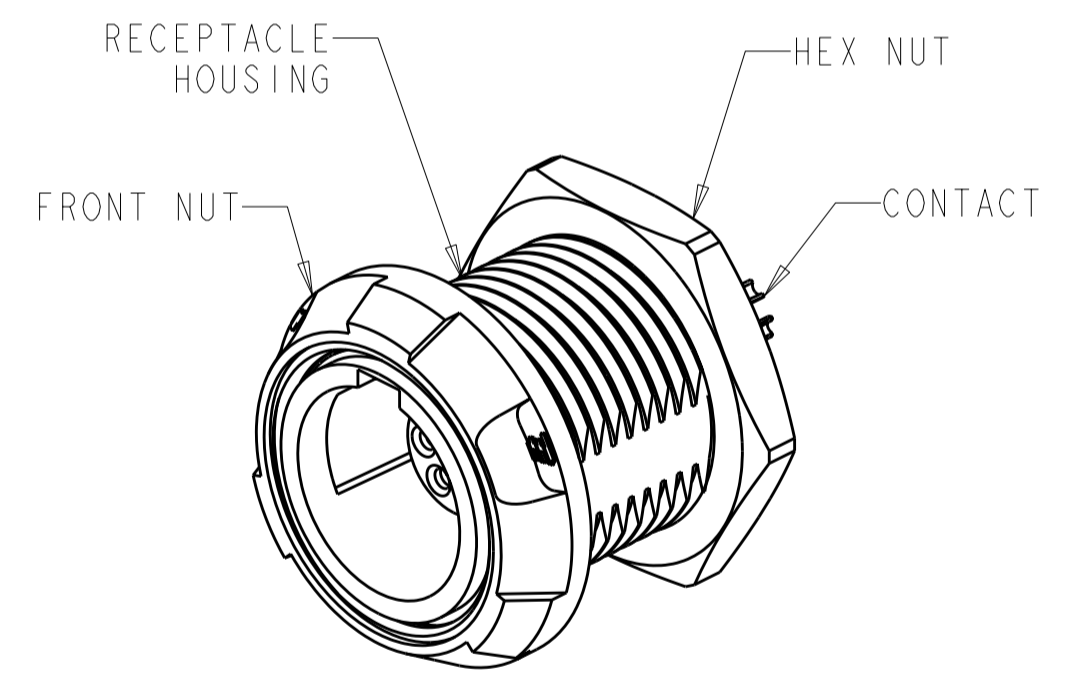
- 1 MATERIAL:
RECEPTACLE HOUSING, UL 94V-0 RATED THERMOPLASTIC, COLOR:SEE TABLE
CONTACT, PHOSPHOR BRONZE
FRONT NUT, UL 94V-0 RATED THERMOPLASTIC, COLOR:SEE TABLE
HEX NUT, BRASS
- 2 FINISH:
CONTACT, 0.75µm MIN. GOLD OVER NICKEL
HEX NUT, NICKEL
- 3 SOLDER TERMINATION CONTACT, 26 AWG WIRE MAX.
- 4 10.0 MAXIMUM PANEL THICKNESS
- 5. INSTALLS FROM FRONT OR REAR OF PANEL
- 6. INGRESS PROTECTION: IP50 (MATED)
- 7 PRELIMINARY PART NUMBER.



DETAIL A
CIRCUIT DESIGNATION VIEW
SCALE 8:1



SUGGESTED
PANEL CUTOUT
SCALE 4:1



SCALE 3:1

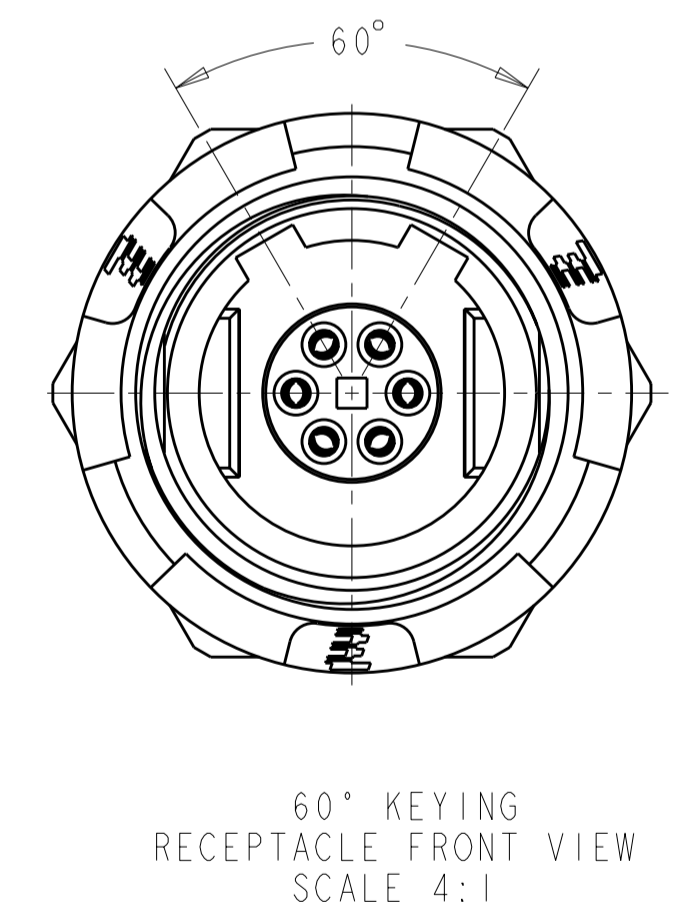
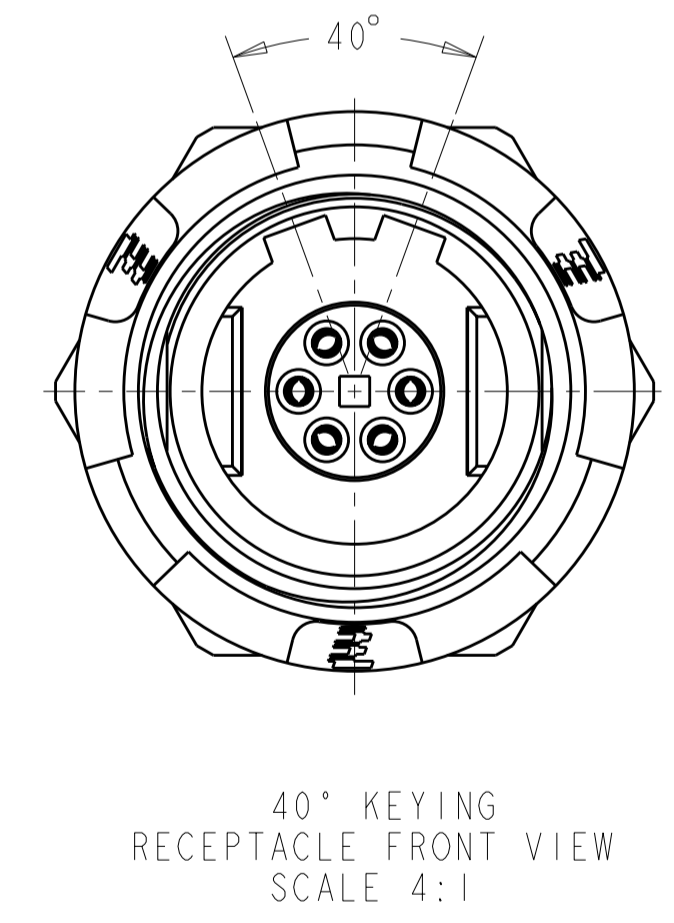
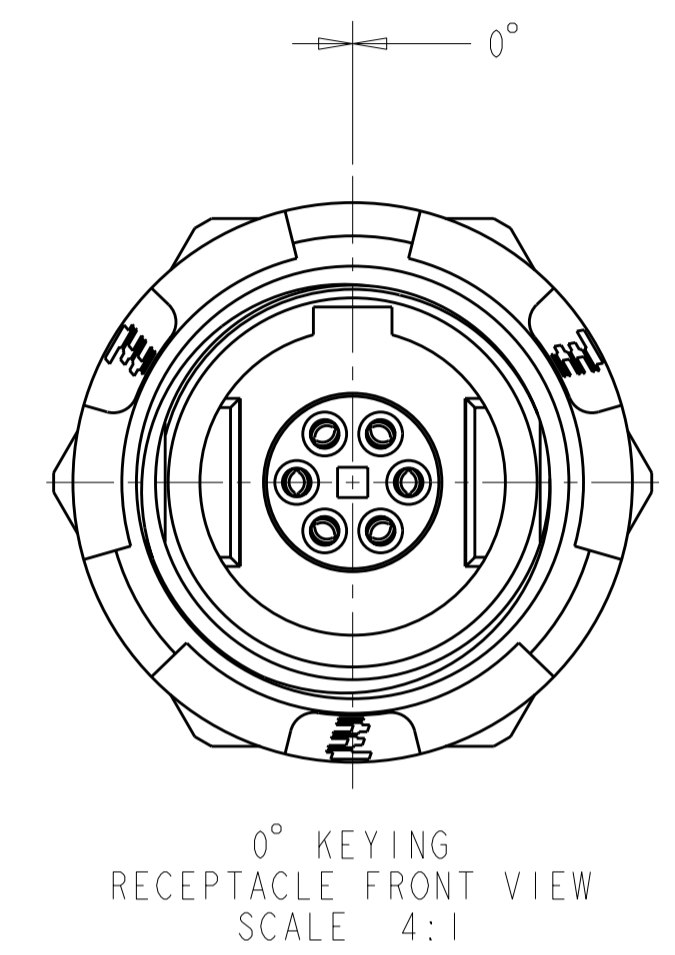
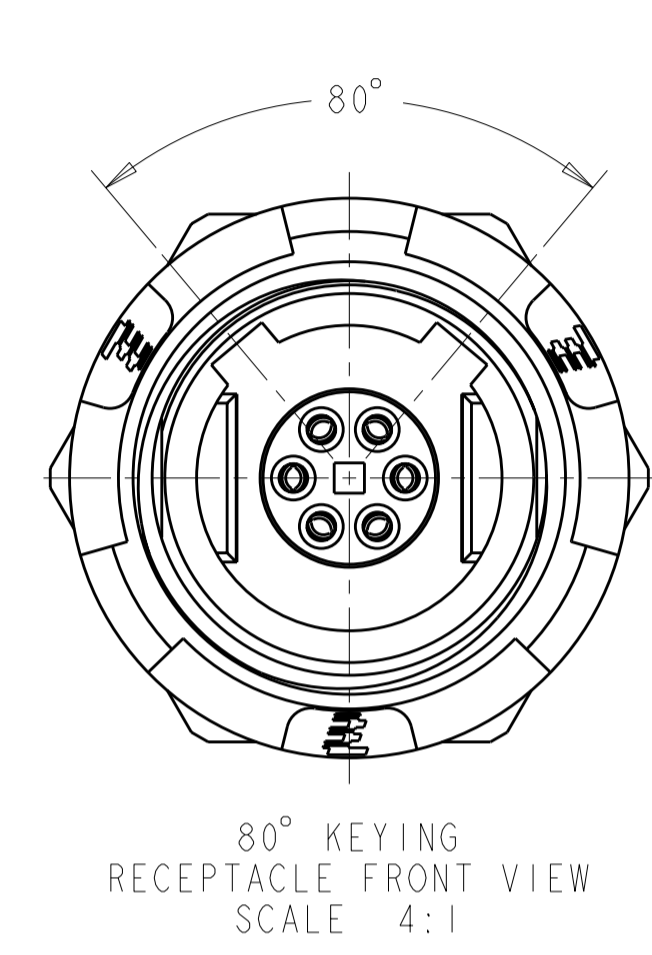
THIS DRAWING IS A CONTROLLED DOCUMENT.		DWN R.L. KOLLER 21 JUN 2005	TE Connectivity	
		CHK L. BREKOSKY 28 JUN 2005		
DIMENSIONS: mm		TOLERANCES UNLESS OTHERWISE SPECIFIED:		NAME RECEPTACLE ASSEMBLY PANEL MOUNT 6 POSITION
		0 PLC ±-	1 PLC ±0.2	PRODUCT SPEC 108-2249
		2 PLC ±0.08	3 PLC ±-	APPLICATION SPEC 114-13184
		4 PLC ±-	ANGLES ±1°	WEIGHT -
MATERIAL 1		FINISH 2		SIZE A2
		CUSTOMER DRAWING		CAGE CODE 00779
		SCALE 5:1		DRAWING NO 1877067
		SHEET 1 OF 2		RESTRICTED TO -
		REV C3		

THIS DRAWING IS UNPUBLISHED. RELEASED FOR PUBLICATION 20
 © COPYRIGHT 20 BY - ALL RIGHTS RESERVED.

LOC	DIST	REVISIONS			
P	LTR	DESCRIPTION	DATE	DWN	APVD
AD	00	-	SEE SHEET 1	-	-

KEYING	FRONT NUT COLOR	HOUSING COLOR	PART NUMBER
40°	BLUE	BLACK	4-1877067-2
	BLUE	GRAY	4-1877067-1
40°	GREEN	BLACK	4-1877067-0
	GREEN	GRAY	3-1877067-9
40°	YELLOW	BLACK	3-1877067-8
	YELLOW	GRAY	3-1877067-7
40°	WHITE	BLACK	3-1877067-6
	WHITE	GRAY	3-1877067-5
40°	RED	BLACK	3-1877067-4
	RED	GRAY	3-1877067-3
40°	BLACK	BLACK	3-1877067-2
	BLACK	GRAY	3-1877067-1
40°	GRAY	BLACK	3-1877067-0
	GRAY	GRAY	2-1877067-9
80°	BLACK	GRAY	2-1877067-8
	GRAY	BLACK	2-1877067-7
0°	BLACK	GRAY	2-1877067-6
	GRAY	BLACK	2-1877067-5
80°	BLUE	BLACK	2-1877067-4
	BLUE	GRAY	2-1877067-3
0°	BLUE	BLACK	2-1877067-2
	BLUE	GRAY	2-1877067-1
80°	GREEN	BLACK	2-1877067-0
	GREEN	GRAY	1-1877067-9
0°	GREEN	BLACK	1-1877067-8
	GREEN	GRAY	1-1877067-7
80°	YELLOW	BLACK	1-1877067-6
	YELLOW	GRAY	1-1877067-5
0°	YELLOW	BLACK	1-1877067-4
	YELLOW	GRAY	1-1877067-3
80°	WHITE	BLACK	1-1877067-2
	WHITE	GRAY	1-1877067-1
0°	WHITE	BLACK	1-1877067-0
	WHITE	GRAY	1877067-9
80°	RED	BLACK	1877067-8
	RED	GRAY	1877067-7
0°	RED	BLACK	1877067-6
	RED	GRAY	1877067-5
80°	BLACK	BLACK	1877067-4
	GRAY	GRAY	1877067-3
0°	BLACK	BLACK	1877067-2
	GRAY	GRAY	1877067-1

60°	BLUE	BLACK	5-1877067-6	7
	BLUE	GRAY	5-1877067-5	7
60°	GREEN	BLACK	5-1877067-4	7
	GREEN	GRAY	5-1877067-3	7
60°	YELLOW	BLACK	5-1877067-2	7
	YELLOW	GRAY	5-1877067-1	7
60°	WHITE	BLACK	5-1877067-0	7
	WHITE	GRAY	4-1877067-9	7
60°	RED	BLACK	4-1877067-8	7
	RED	GRAY	4-1877067-7	7
60°	BLACK	BLACK	4-1877067-6	7
	BLACK	GRAY	4-1877067-5	7
60°	GRAY	BLACK	4-1877067-4	7
	GRAY	GRAY	4-1877067-3	7



THIS DRAWING IS A CONTROLLED DOCUMENT.		DWN R.L. KOLLER 21 JUN 2005	TE Connectivity	
		CHK L. BREKOSKY 28 JUN 2005		
DIMENSIONS:	TOLERANCES UNLESS OTHERWISE SPECIFIED:	APVD -	NAME RECEPTACLE ASSEMBLY PANEL MOUNT 6 POSITION	
mm	0 PLC ± 1 PLC ±0.2 2 PLC ±0.08 3 PLC ± 4 PLC ±	PRODUCT SPEC 108-2249	SIZE A2	
MATERIAL	ANGLES ±1° FINISH	APPLICATION SPEC 114-13184	CAGE CODE 00779	DRAWING NO 1877067
		WEIGHT -	RESTRICTED TO -	
		CUSTOMER DRAWING	SCALE 5:1	SHEET 2 OF 2
			REV C.3	