



Chipsmall Limited consists of a professional team with an average of over 10 year of expertise in the distribution of electronic components. Based in Hongkong, we have already established firm and mutual-benefit business relationships with customers from,Europe,America and south Asia,supplying obsolete and hard-to-find components to meet their specific needs.

With the principle of “Quality Parts,Customers Priority,Honest Operation,and Considerate Service”,our business mainly focus on the distribution of electronic components. Line cards we deal with include Microchip,ALPS,ROHM,Xilinx,Pulse,ON,Everlight and Freescale. Main products comprise IC,Modules,Potentiometer,IC Socket,Relay,Connector.Our parts cover such applications as commercial,industrial, and automotives areas.

We are looking forward to setting up business relationship with you and hope to provide you with the best service and solution. Let us make a better world for our industry!



Contact us

Tel: +86-755-8981 8866 Fax: +86-755-8427 6832

Email & Skype: info@chipsmall.com Web: www.chipsmall.com

Address: A1208, Overseas Decoration Building, #122 Zhenhua RD., Futian, Shenzhen, China

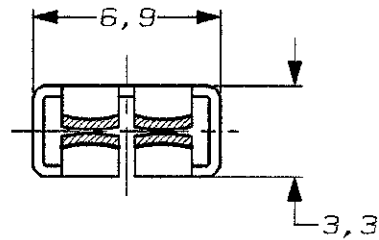
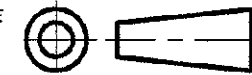


DO NOT SCALE

DIMENSIONS IN mm

METRIC

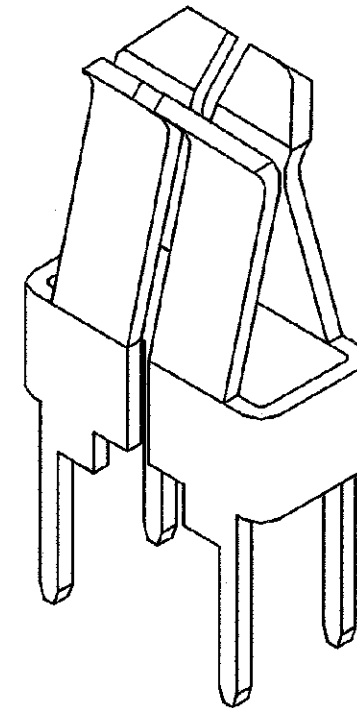
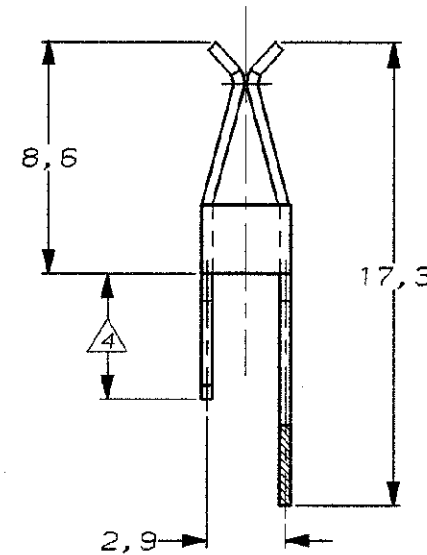
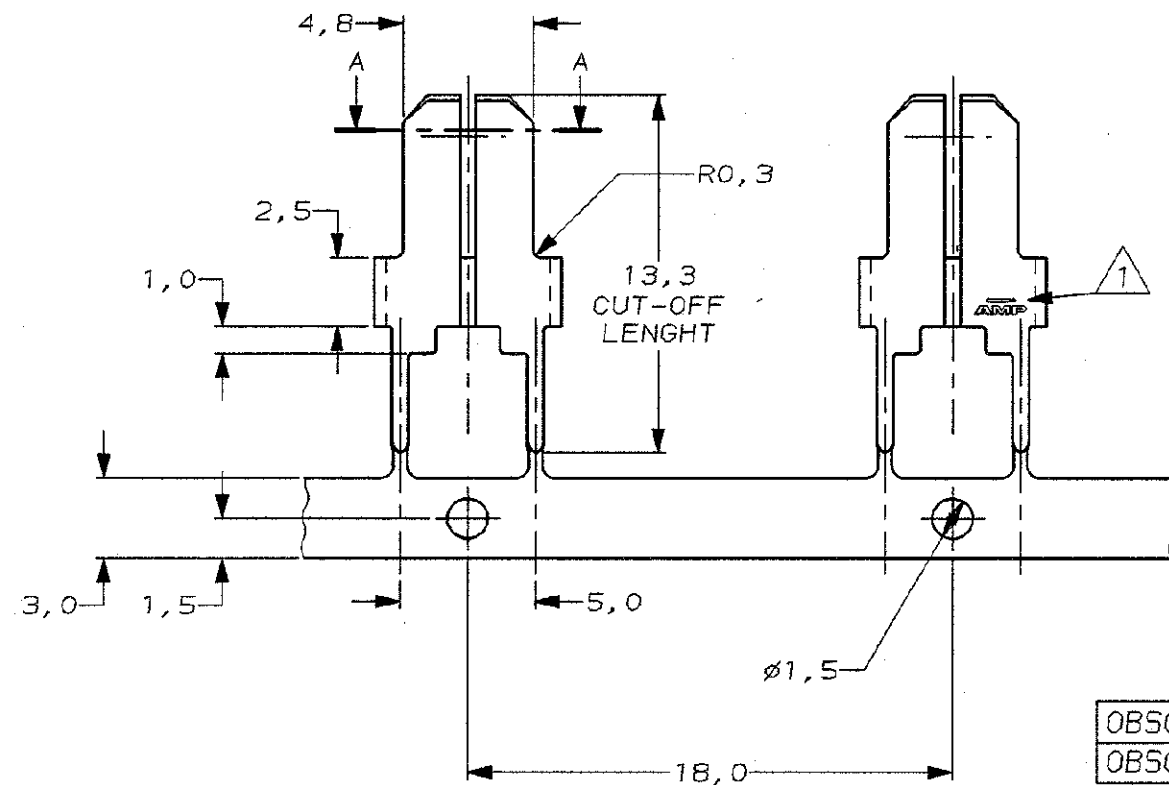
THIRD ANGLE
PROJECTION



SECTION A-A

NOTES:

- 1 AMP TRADEMARK
- 2 PRETINNED 2µm MIN. ALL OVER.
- 3 LOOSE PIECE VERSION
- 4 POSTTINNED 3µm MIN. IN THIS AREA.



OBSOLETE	TINPLATED		PHOSPHORBRONZE	1-188685-3/3	-
OBSOLETE	TINPLATED	4/2	PHOSPHORBRONZE	188685-3	-
	PRETINNED		PHOSPHORBRONZE	1-188685-2/3	-
	PRETINNED	2	PHOSPHORBRONZE	188685-2	-
	FINISH		MATERIAL	PARTNUMBER	ITEM

-	-	-	-	-	-	-	-	-	
C	EH-0178-97	JvL	RotB	20-02-97					
B	EH-1388-95	JvL	RotB	14-11-95					
A	EH-0919-95	JvL	RotB	01-08-95					
O	EH-0719-95	JvL	RotB	19-06-95					
LTR.	REVISION RECORD	DR.	CHK.	DATE					
DR.:	J.v.LIEMPT	CHK.:	R.o.t.BERG	APP.:	M.v.DRIEL	DWG. No.	188685	REV. LTR.	SHEET
DATE:	19 JUN 95	DATE:	-	DATE:	-			C	1 OF 1

CUSTOMER DRAWING FOR REFERENCE ONLY
WILL NOT BE UPDATED

© COPYRIGHT 19- BY AMP HOLLAND B.V.
ALL INTERNATIONAL RIGHTS RESERVED. AMP PRODUCTS MAY BE
COVERED BY U.S. AND FOREIGN AND/OR PATENTS PENDING.
THIS DRAWING IS UNPUBLISHED
RELEASED FOR PUBLICATION

AMP AMP HOLLAND B.V.
s-Hertogenbosch,
The Netherlands.

NAME
**STANDARD TIMER CONTACT
FOR P.C.B. APPLICATION**

