



Chipsmall Limited consists of a professional team with an average of over 10 year of expertise in the distribution of electronic components. Based in Hongkong, we have already established firm and mutual-benefit business relationships with customers from,Europe,America and south Asia,supplying obsolete and hard-to-find components to meet their specific needs.

With the principle of “Quality Parts,Customers Priority,Honest Operation,and Considerate Service”,our business mainly focus on the distribution of electronic components. Line cards we deal with include Microchip,ALPS,ROHM,Xilinx,Pulse,ON,Everlight and Freescale. Main products comprise IC,Modules,Potentiometer,IC Socket,Relay,Connector.Our parts cover such applications as commercial,industrial, and automotives areas.

We are looking forward to setting up business relationship with you and hope to provide you with the best service and solution. Let us make a better world for our industry!



## Contact us

Tel: +86-755-8981 8866 Fax: +86-755-8427 6832

Email & Skype: info@chipsmall.com Web: www.chipsmall.com

Address: A1208, Overseas Decoration Building, #122 Zhenhua RD., Futian, Shenzhen, China



LOC		DIST		REVISIONS			
GP	00	REV	DATE	DESCRIPTION	DATE	DWN	APVD
		A1	08OCT2009	REVISED PER ECO-09-021480		CR	DG

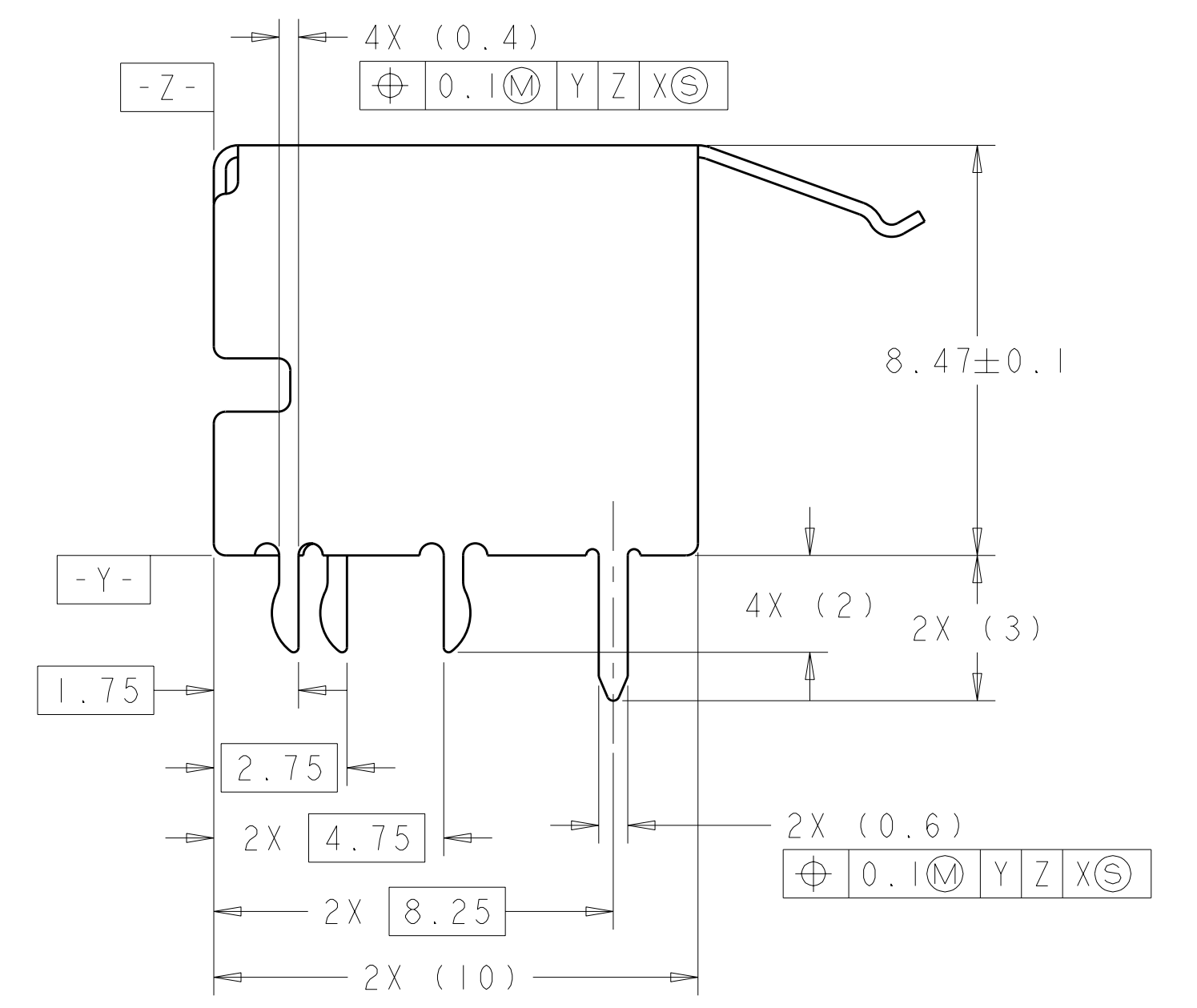
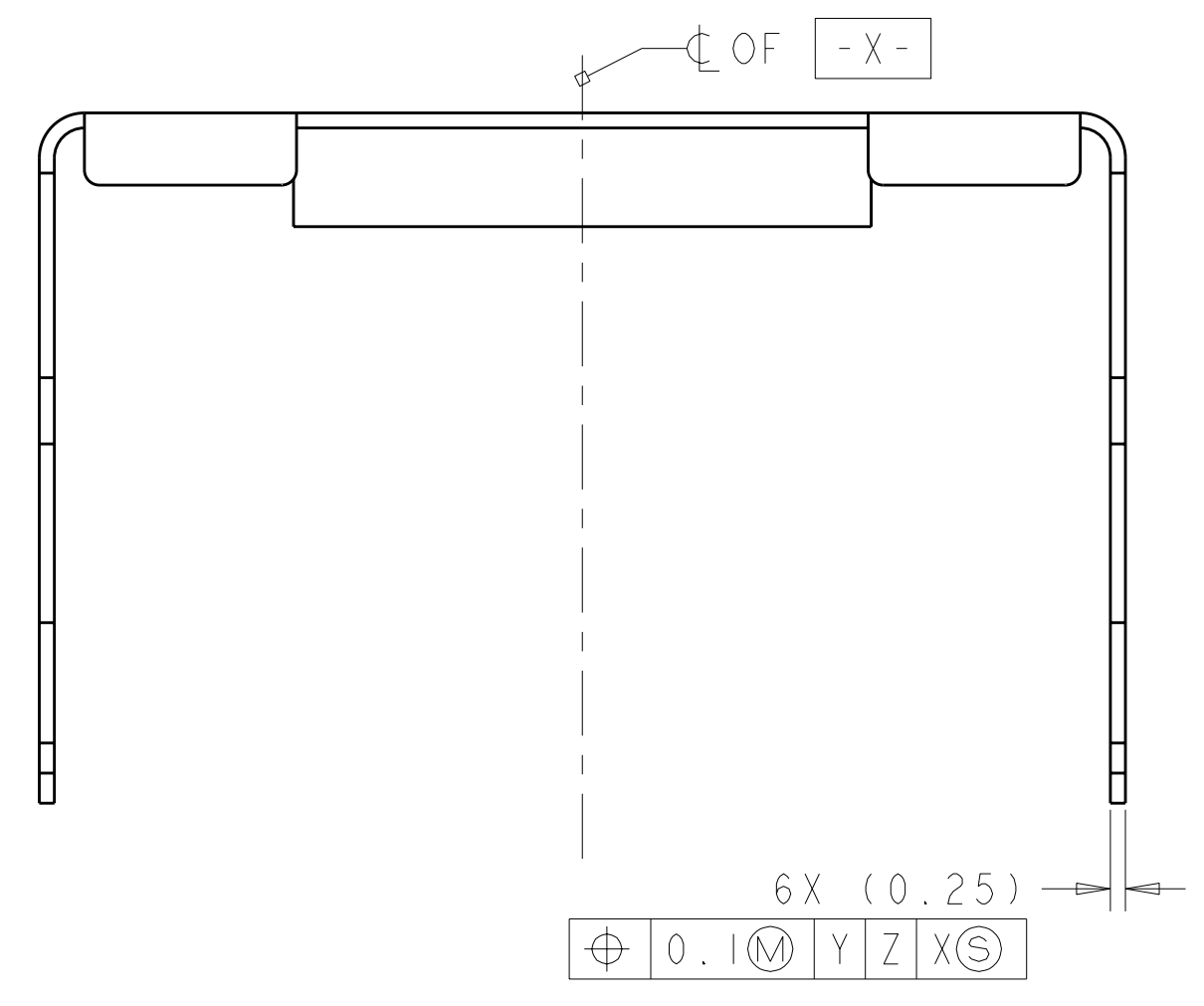
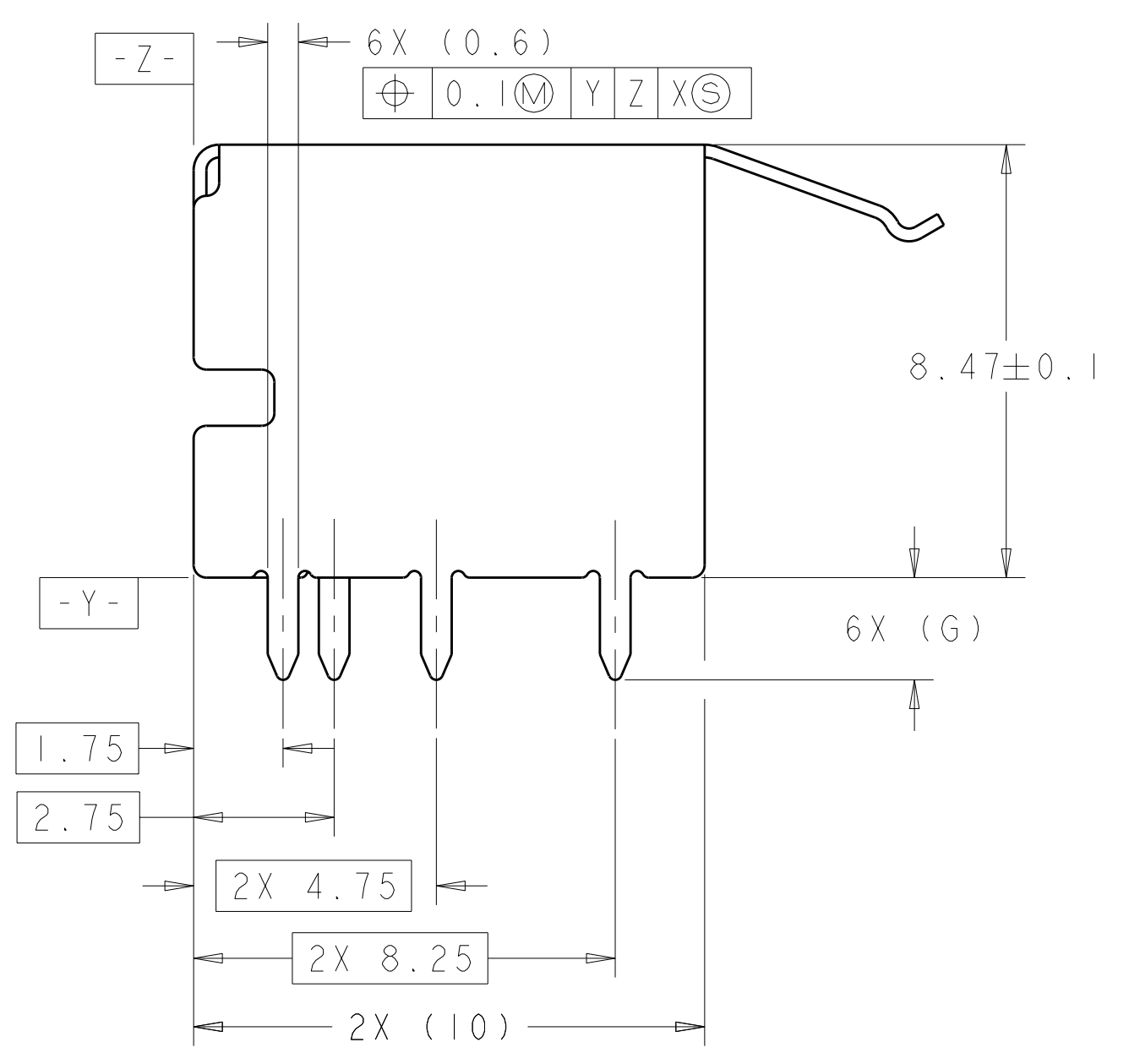
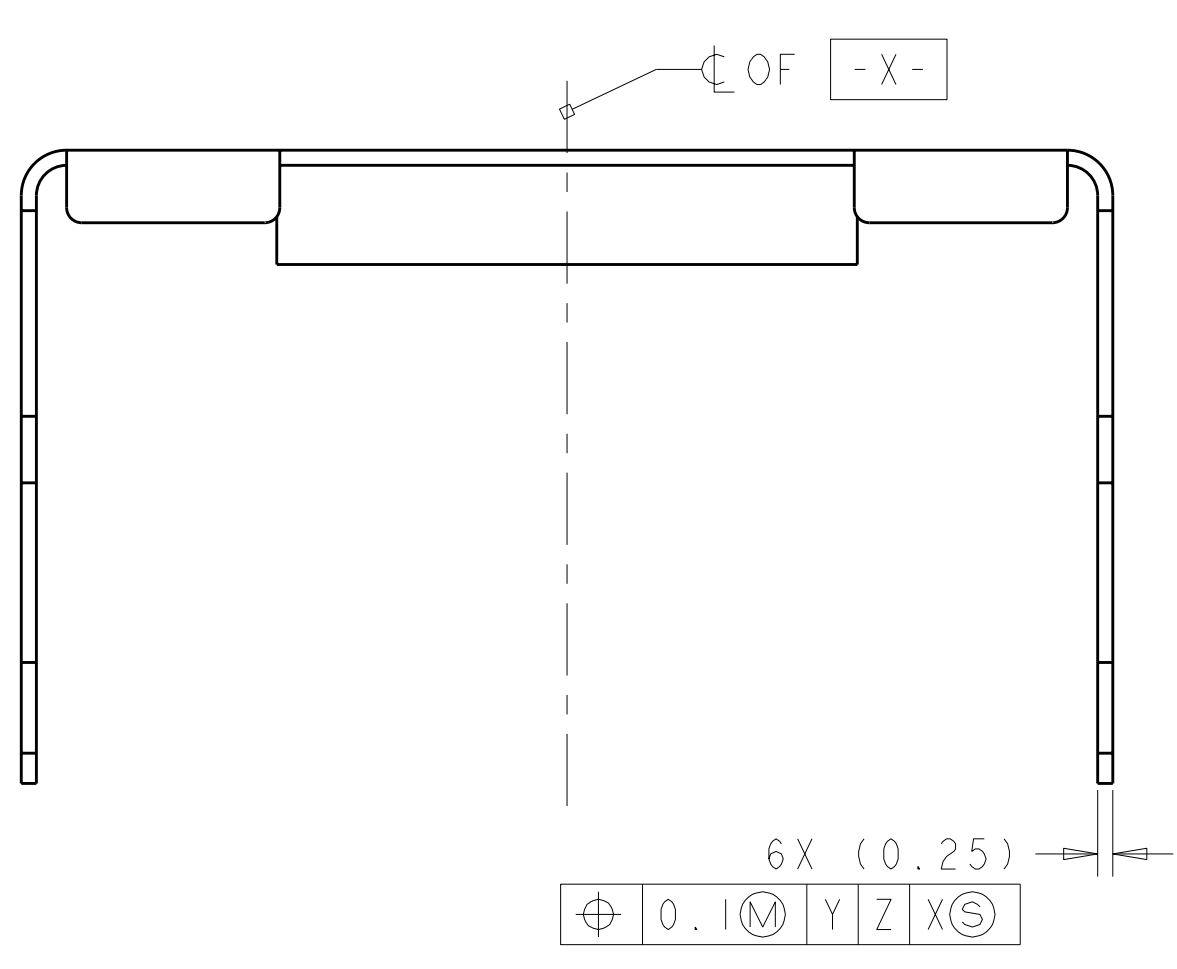
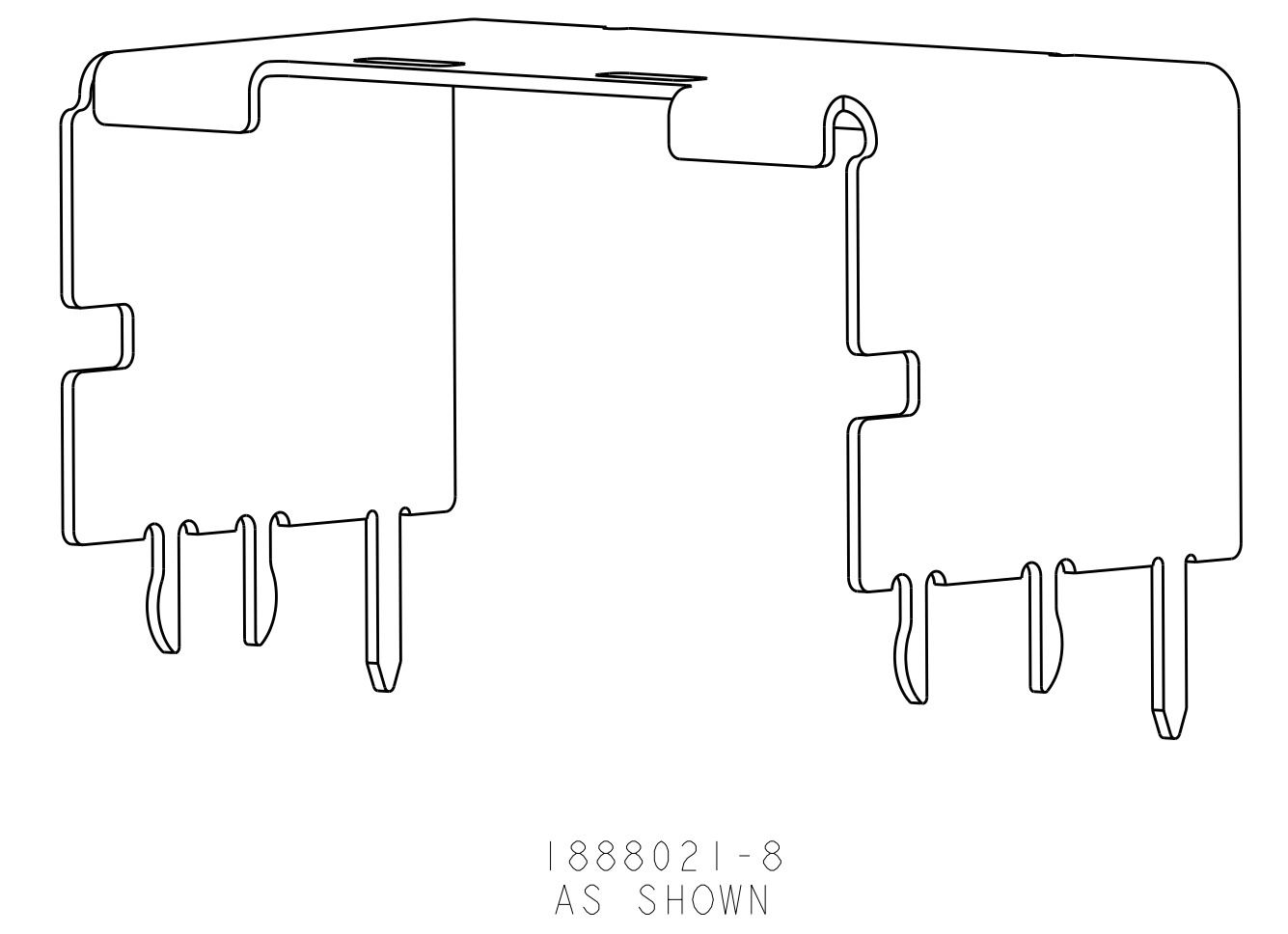
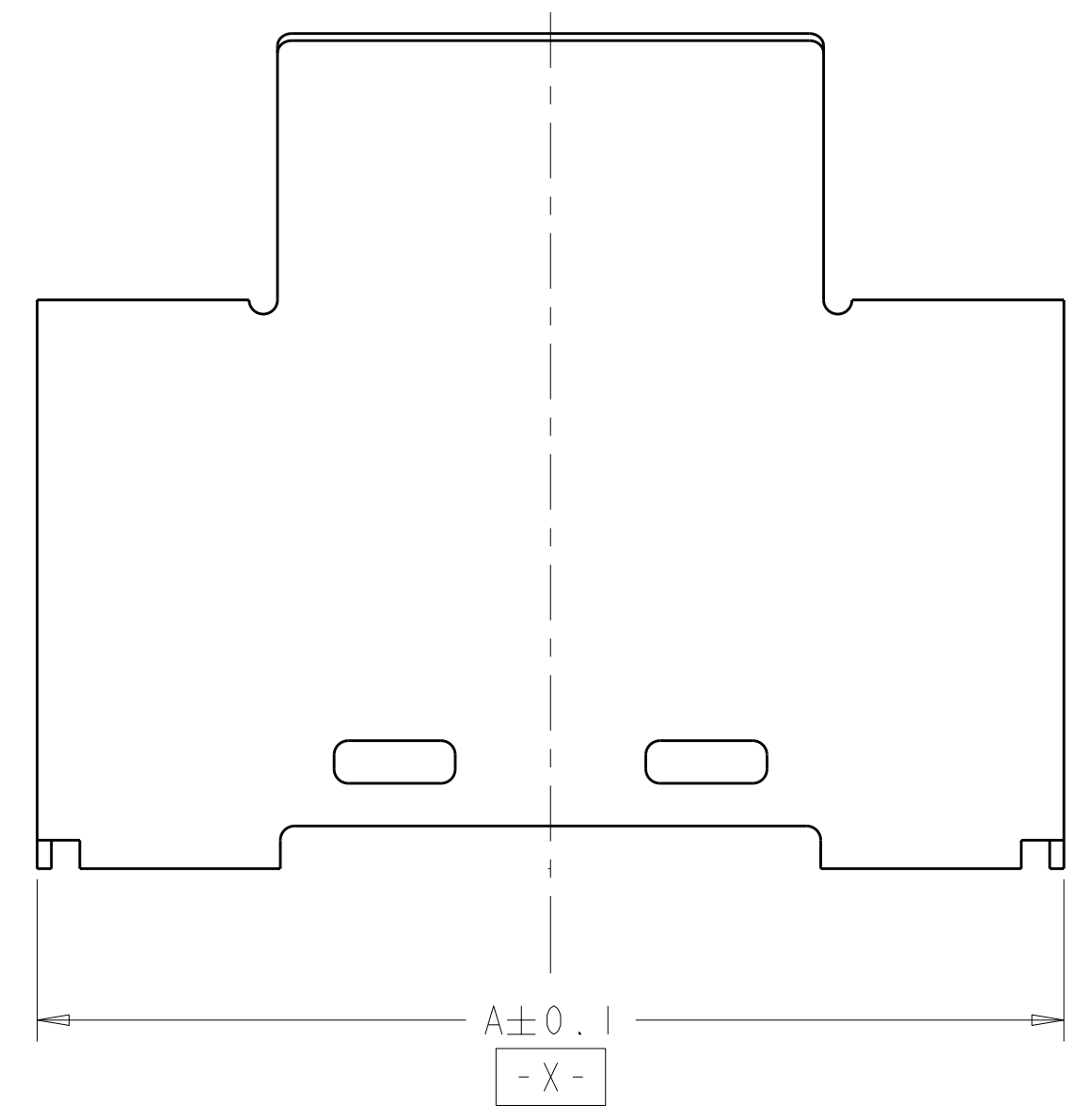
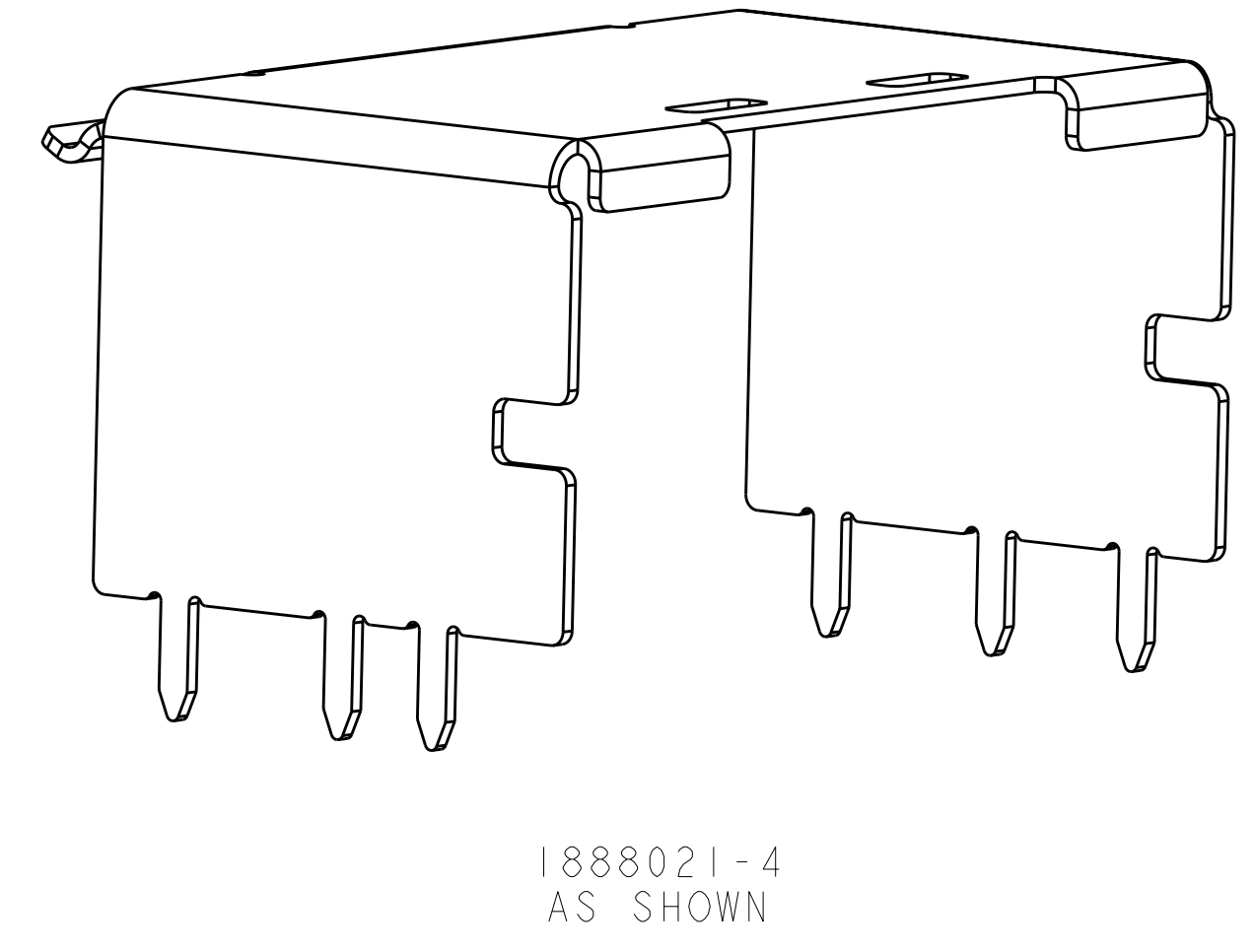
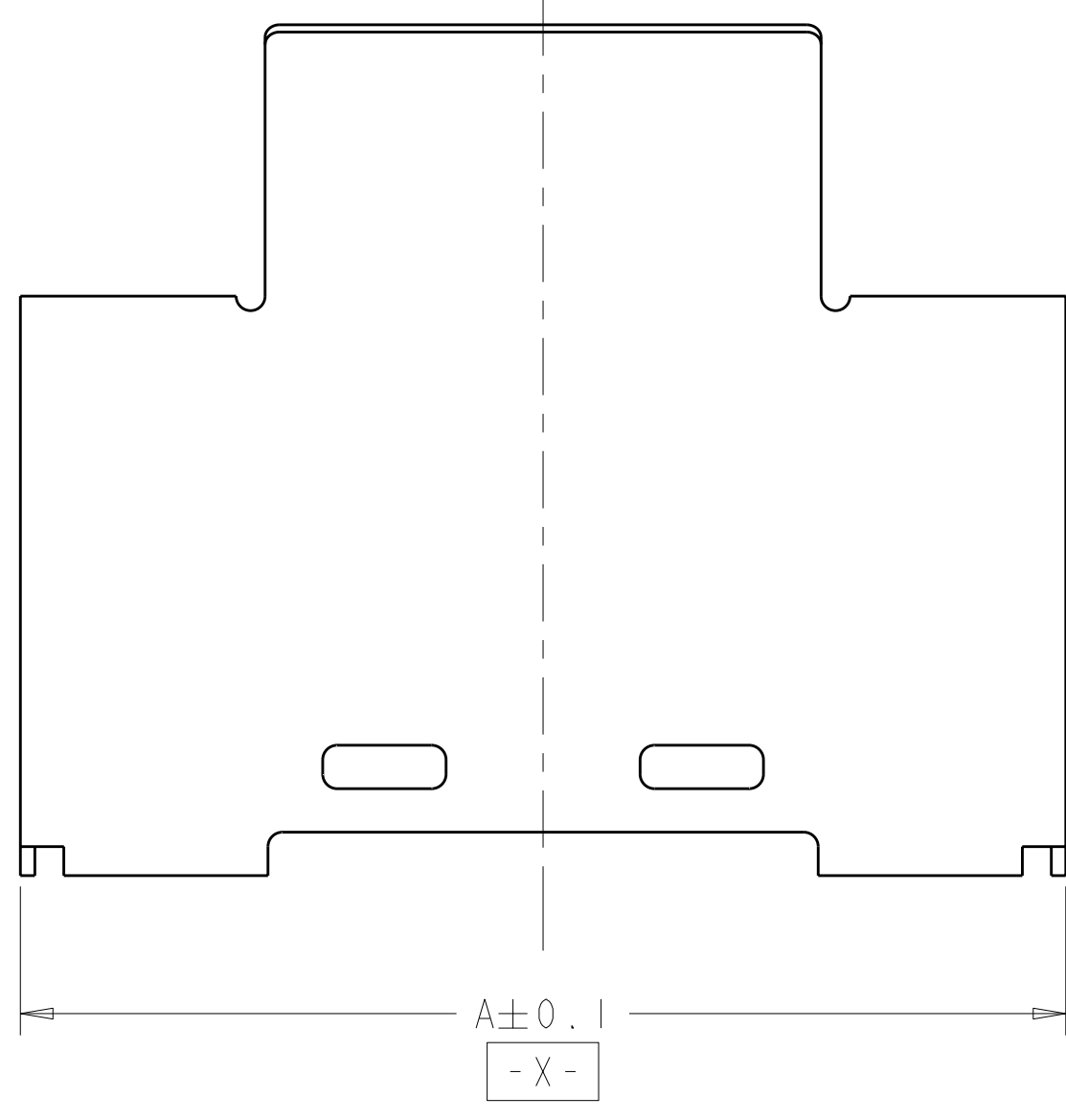


FIGURE M

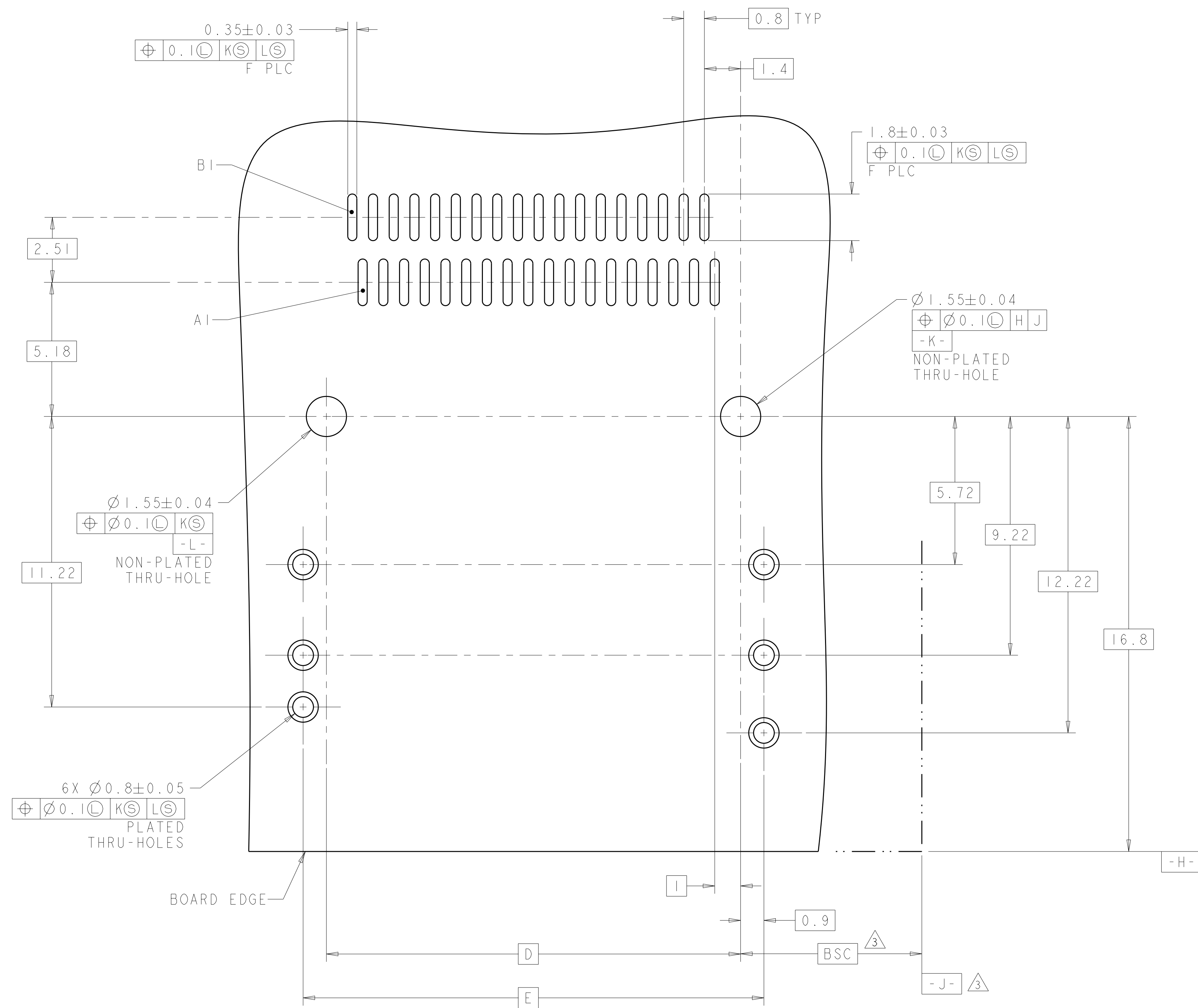
FIGURE N

- 1 MATERIAL: NICKEL-SILVER PER ASTM B 122.
- 2. SHELL TO BE USED WITH THE SURFACE MOUNT RECEPTACLE CONNECTOR PART NUMBER REFERENCED IN TABLE
- 3 DATUM AND BASIC DIMENSION ESTABLISHED BY CUSTOMER

FIGURE	CONNECTOR PART NUMBER	G	F	E	D	A	POSN	PART NUMBER
M	1761987-2	3.5	36	17.8	16	18.05	36	1-1888021-6
M	1761987-2	2.8	36	17.8	16	18.05	36	1-1888021-2
N	1761987-2	-	36	17.8	16	18.05	36	1888021-8
M	1761987-2	2	36	17.8	16	18.05	36	1888021-4

DIMENSIONS: mm 9 PLC ± 1 PLC ±0.1 5 PLC ± 4 PLC ± ANGLES ± FINISH -		TOLERANCES UNLESS OTHERWISE SPECIFIED: 9 PLC ± 1 PLC ±0.1 5 PLC ± 4 PLC ± ANGLES ± FINISH -		DWN Z.M. BEAM 14MAY2008 CHK D.L. GORENC 14MAY2008 APVD P.H. WERTZ 14MAY2008		Tyco Electronics Harrisburg, PA 17105-3608	
MATERIAL: NICKEL-SILVER PER ASTM B 122		PRODUCT SPEC: 108-2234 APPLICATION SPEC:		NAME: EVERCLEAR Mini-SAS DUAL KEYED INTERNAL SHELL, RIGHT ANGLE, RECEPTACLE		SIZE: CAGE CODE: DRAWING NO: A100779C=1888021	
CUSTOMER DRAWING		WEIGHT:		SCALE: 8:1		SHEET 1 OF 2 REV A1	

LOC	DIST	REVISIONS					
GP	00	P	LTR	DESCRIPTION	DATE	DWN	APVD
		-	-	SEE SHEET 1	-	-	-



RECOMMENDED PCB LAYOUT  
 SCALE 10:1

<small>THIS DRAWING IS UNPUBLISHED. IT IS SUBJECT TO CHANGE WITHOUT NOTICE AND WITHOUT OBLIGATION. TOLERANCES UNLESS OTHERWISE SPECIFIED: DIMENSIONS: mm</small>		DWN: Z.M. BEAM 14MAY2008 CHK: D.L. GORENC 14MAY2008 APVD: P.H. WERTZ 14MAY2008	Tyco Electronics Harrisburg, PA 17105-3608
DIMENSIONS: mm 9 PLC ± 8 PLC ±0.1 5 PLC ± 4 PLC ± ANGLES ± FINISH ±	TOLERANCES UNLESS OTHERWISE SPECIFIED: 9 PLC ± 8 PLC ±0.1 5 PLC ± 4 PLC ± ANGLES ± FINISH ±	NAME: EVERCLEAR Mini-SAS DUAL KEYED INTERNAL SHELL, RIGHT ANGLE, RECEPTACLE PRODUCT SPEC: 108-2234 APPLICATION SPEC:	SIZE: A CAGE CODE: 100779 DRAWING NO: C=1888021 RESTRICTED TO:
MATERIAL: -	FINISH: -	WEIGHT: -	CUSTOMER DRAWING
SCALE: 8:1		SHEET: 2 OF 2	REV: A1