



Chipsmall Limited consists of a professional team with an average of over 10 year of expertise in the distribution of electronic components. Based in Hongkong, we have already established firm and mutual-benefit business relationships with customers from,Europe,America and south Asia,supplying obsolete and hard-to-find components to meet their specific needs.

With the principle of “Quality Parts,Customers Priority,Honest Operation,and Considerate Service”,our business mainly focus on the distribution of electronic components. Line cards we deal with include Microchip,ALPS,ROHM,Xilinx,Pulse,ON,Everlight and Freescale. Main products comprise IC,Modules,Potentiometer,IC Socket,Relay,Connector.Our parts cover such applications as commercial,industrial, and automotives areas.

We are looking forward to setting up business relationship with you and hope to provide you with the best service and solution. Let us make a better world for our industry!



Contact us

Tel: +86-755-8981 8866 Fax: +86-755-8427 6832

Email & Skype: info@chipsmall.com Web: www.chipsmall.com

Address: A1208, Overseas Decoration Building, #122 Zhenhua RD., Futian, Shenzhen, China



REV ISION		REV ISIONS			
P	LET	DESCRIPTION	DATE	DWN	APPV
A	1	REVISED PER ECO-09-021480	080CT2009	CR	DG

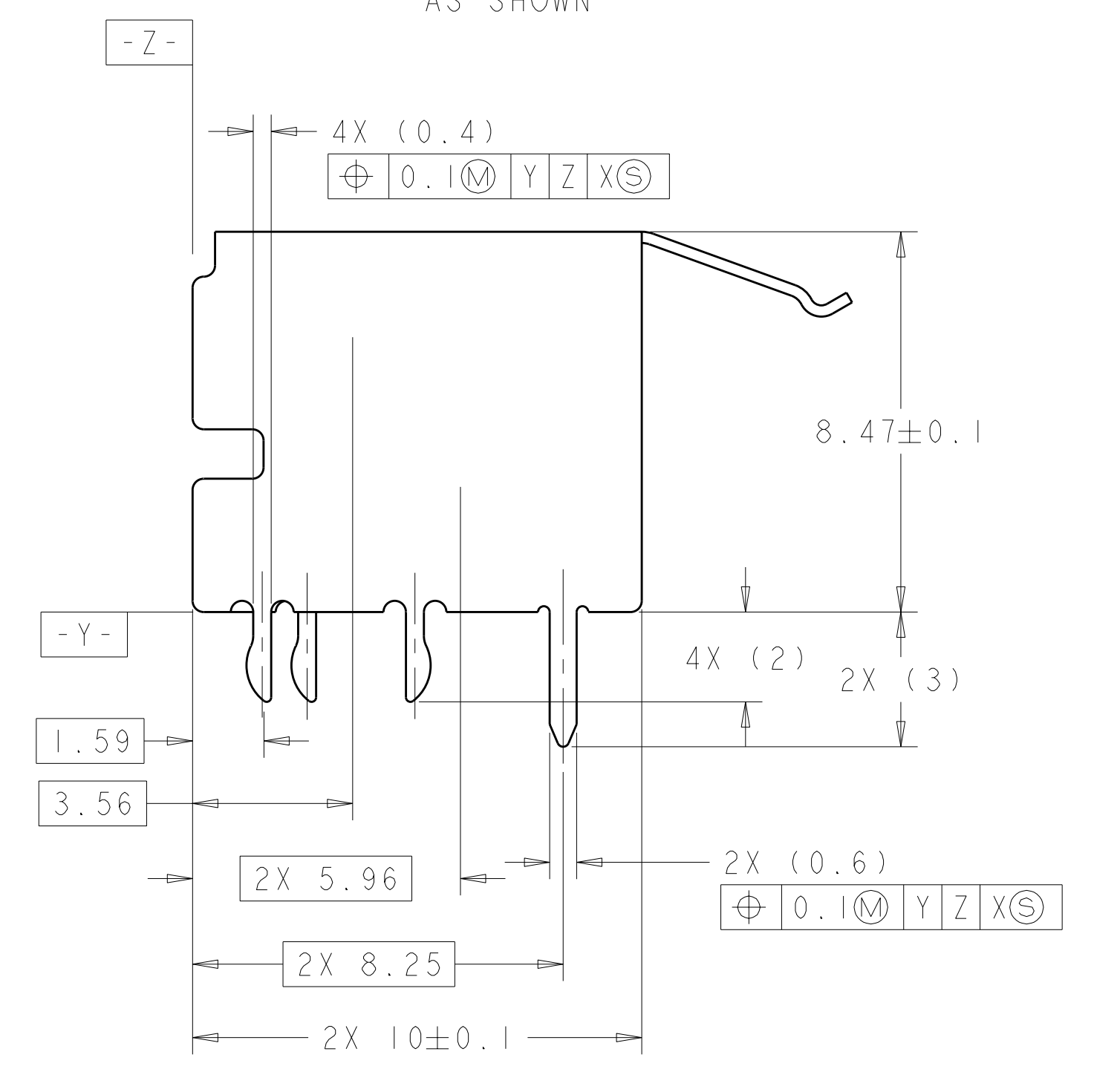
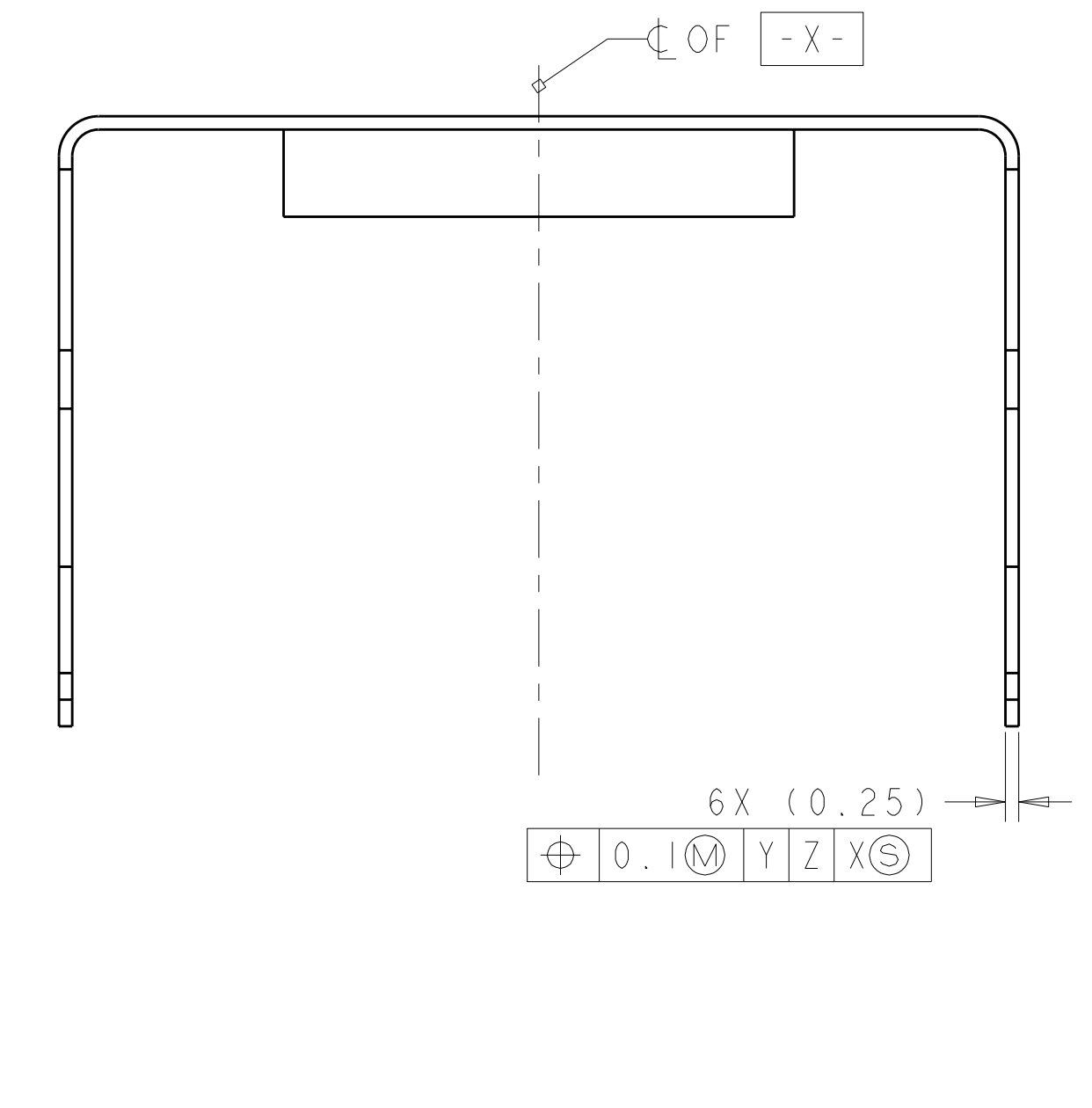
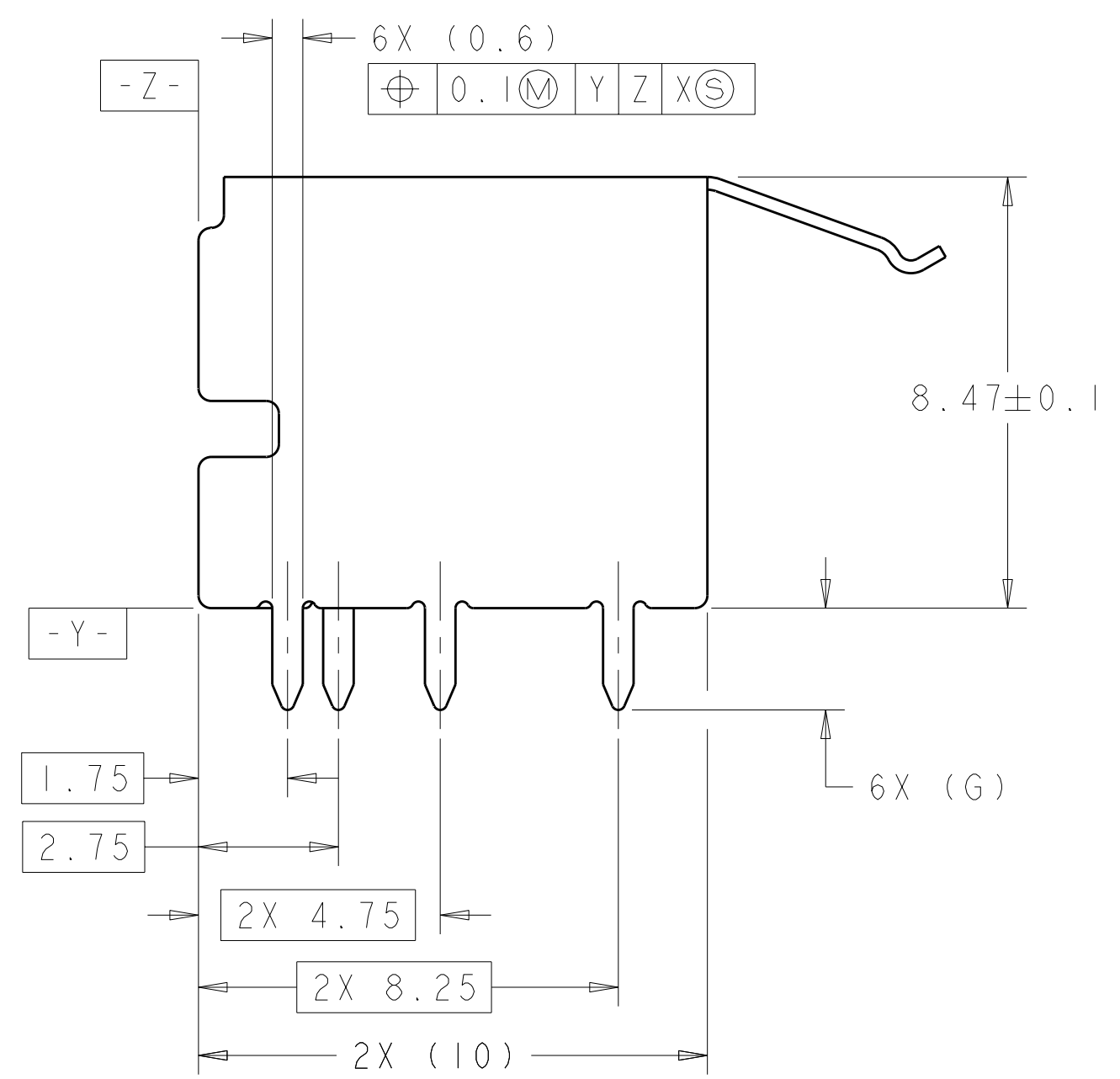
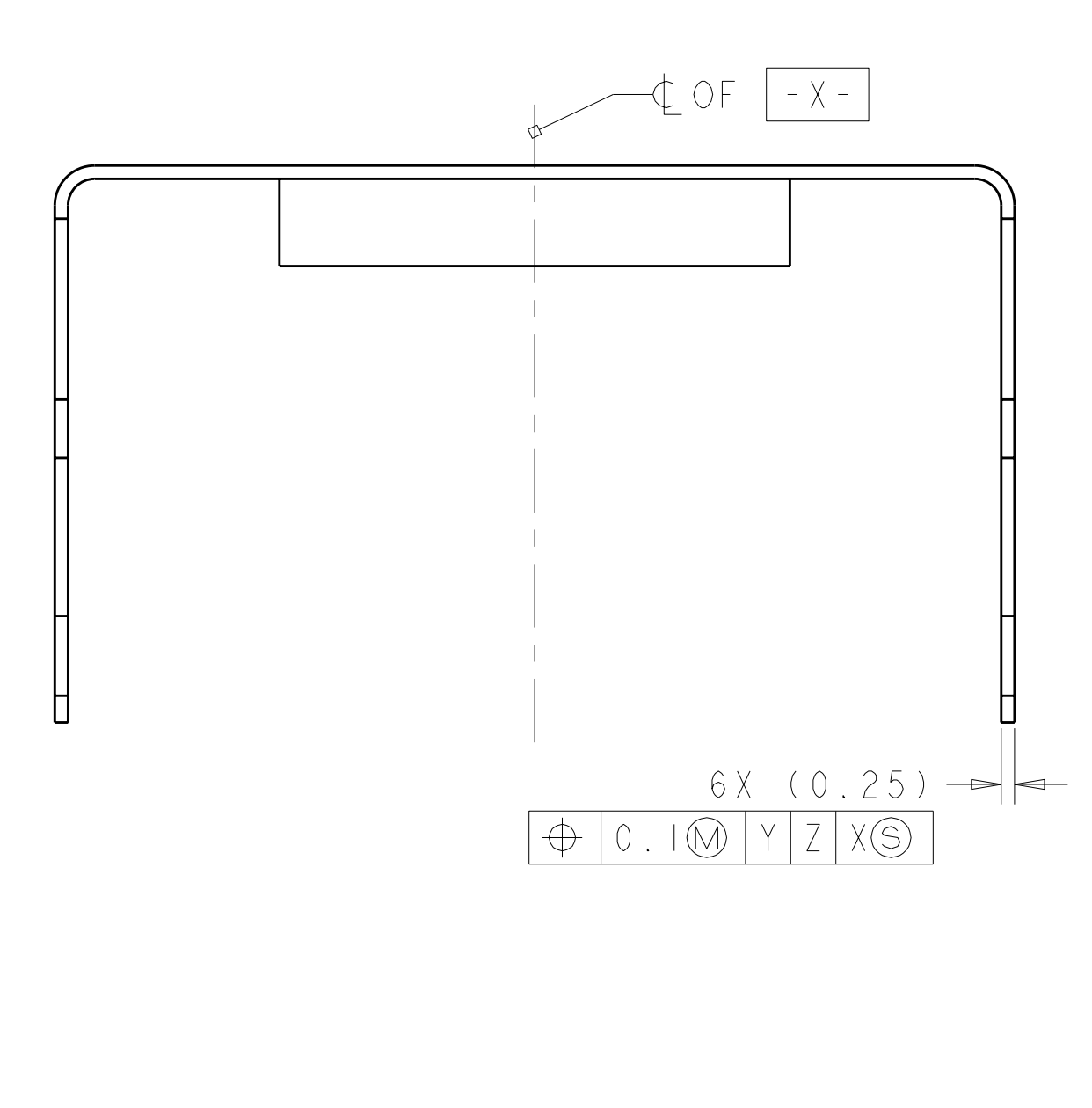
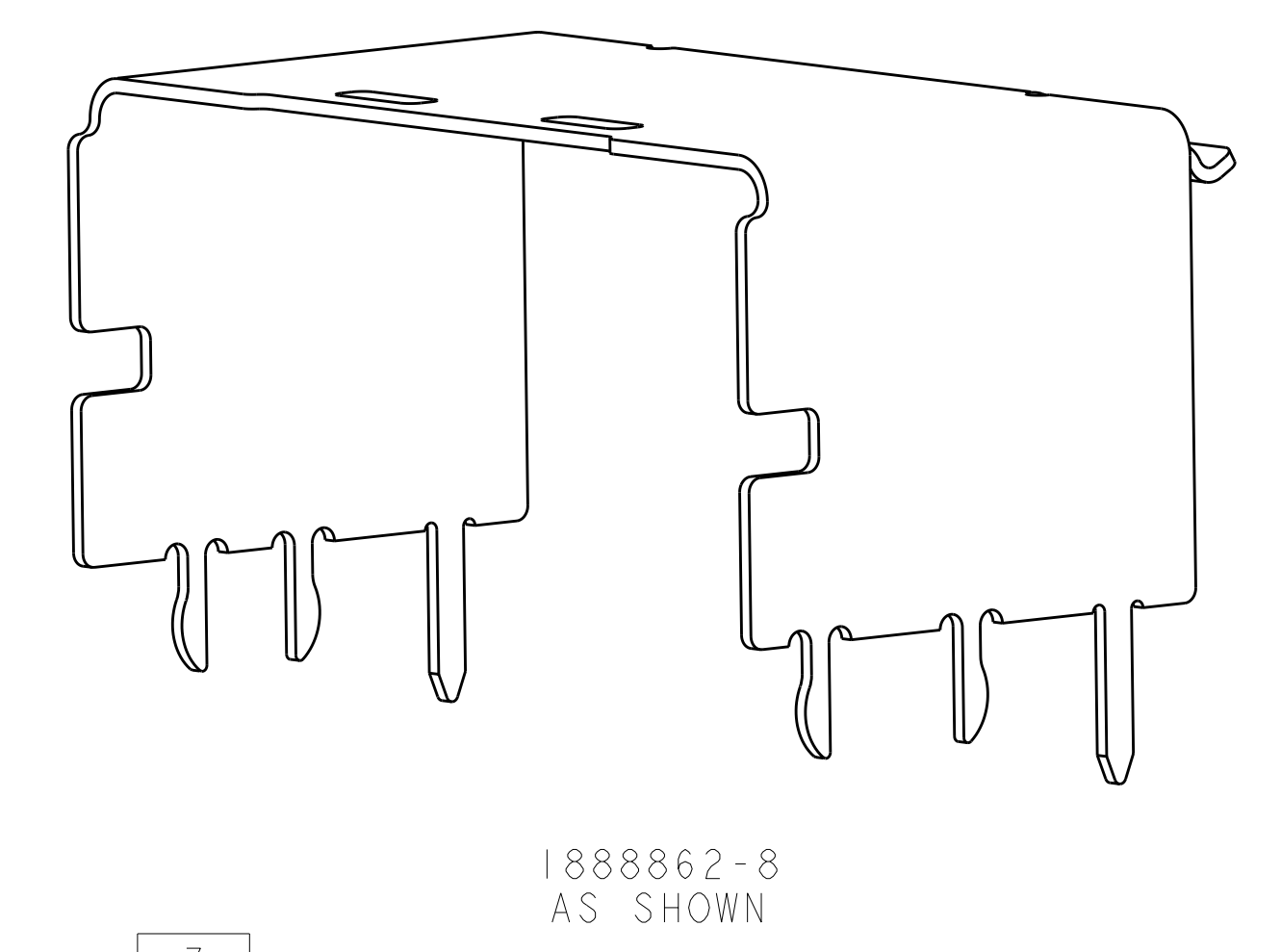
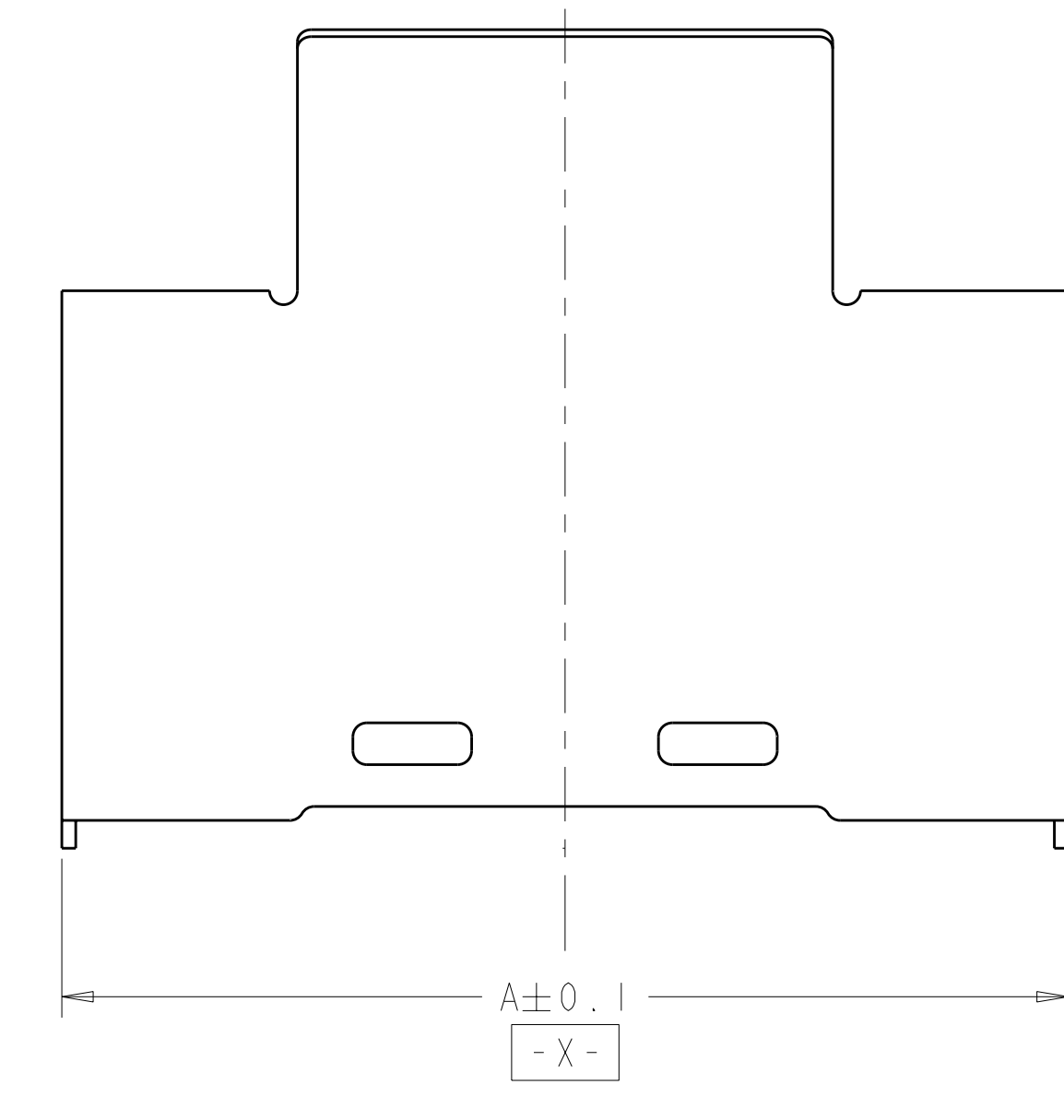
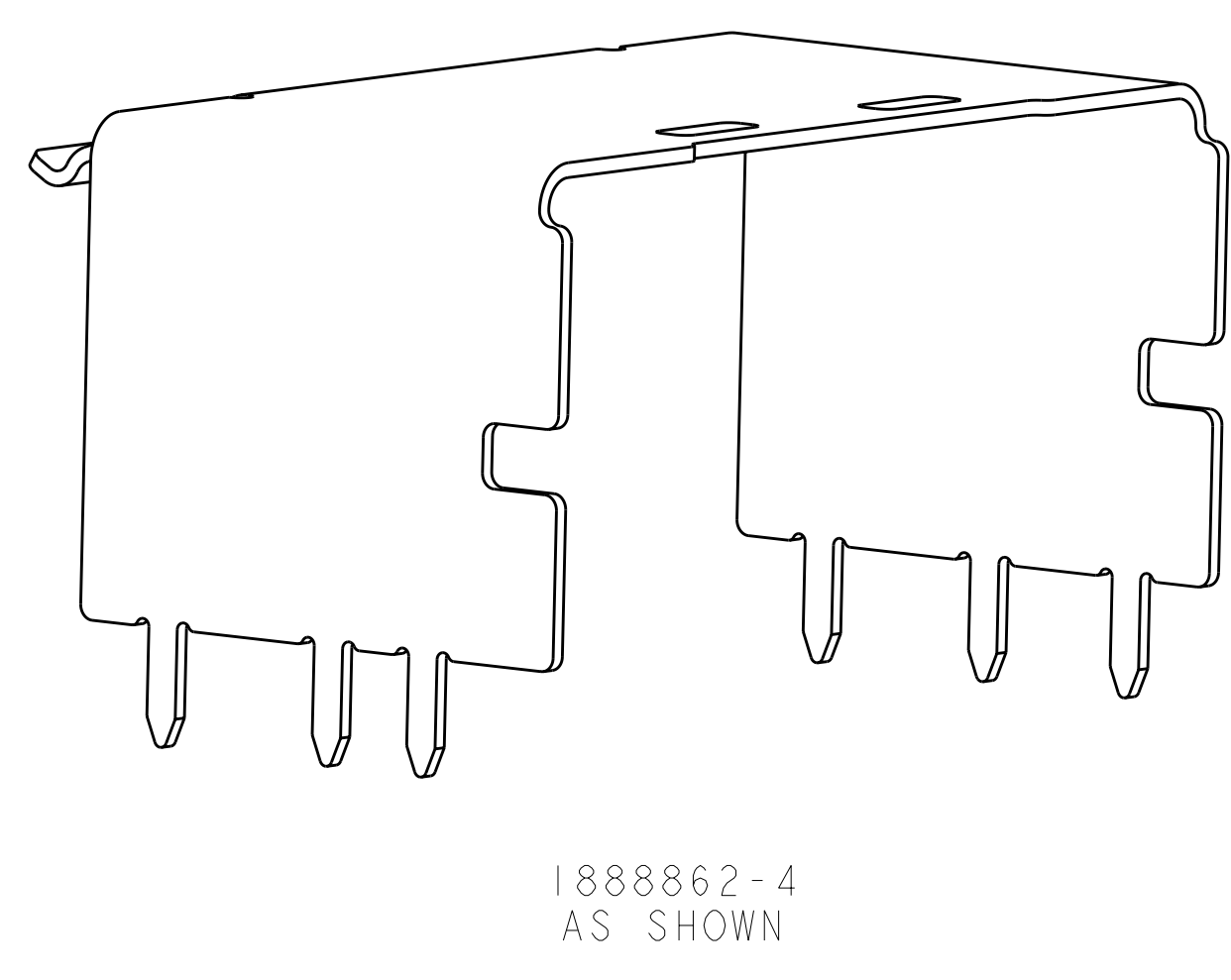
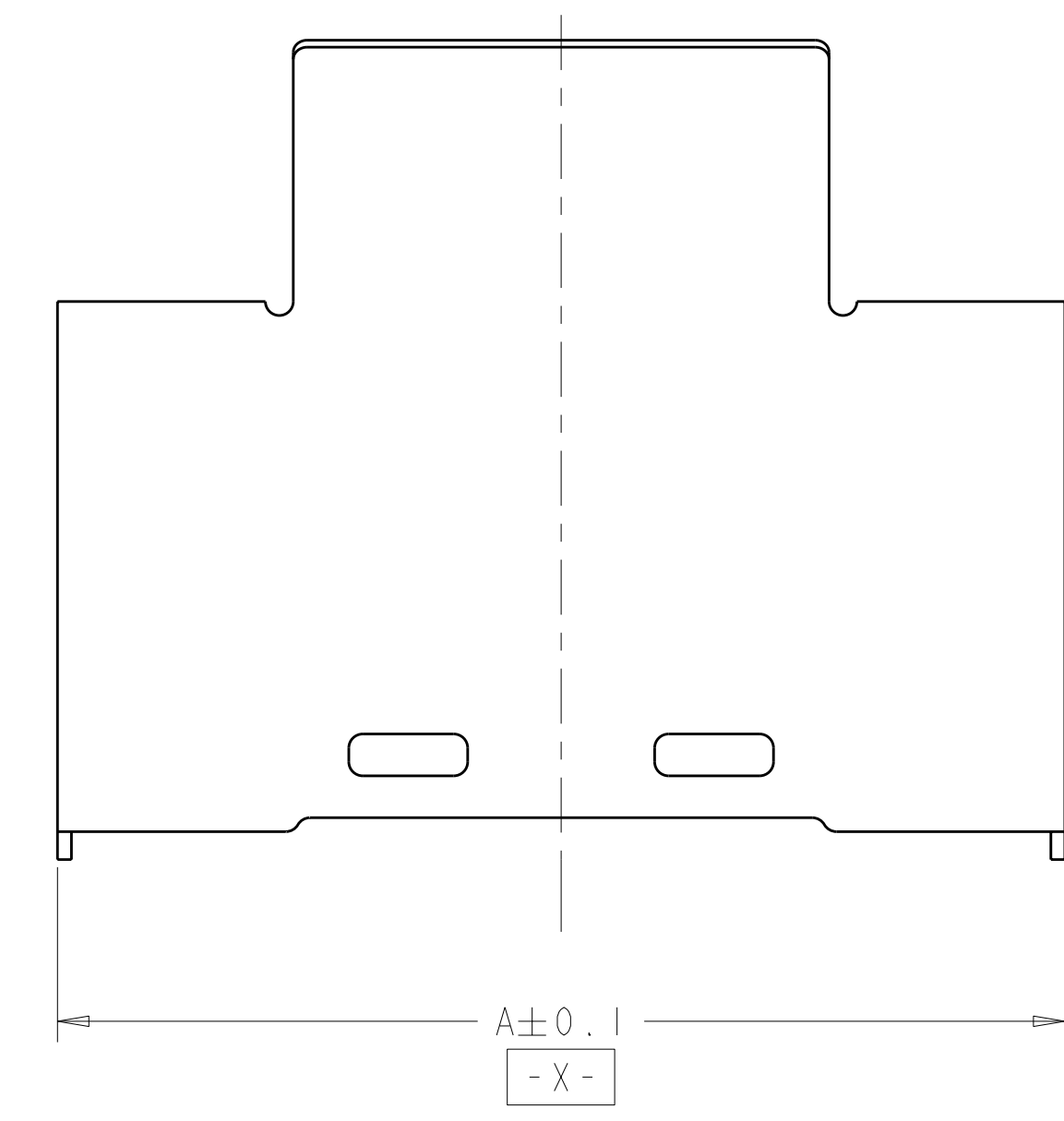


FIGURE M

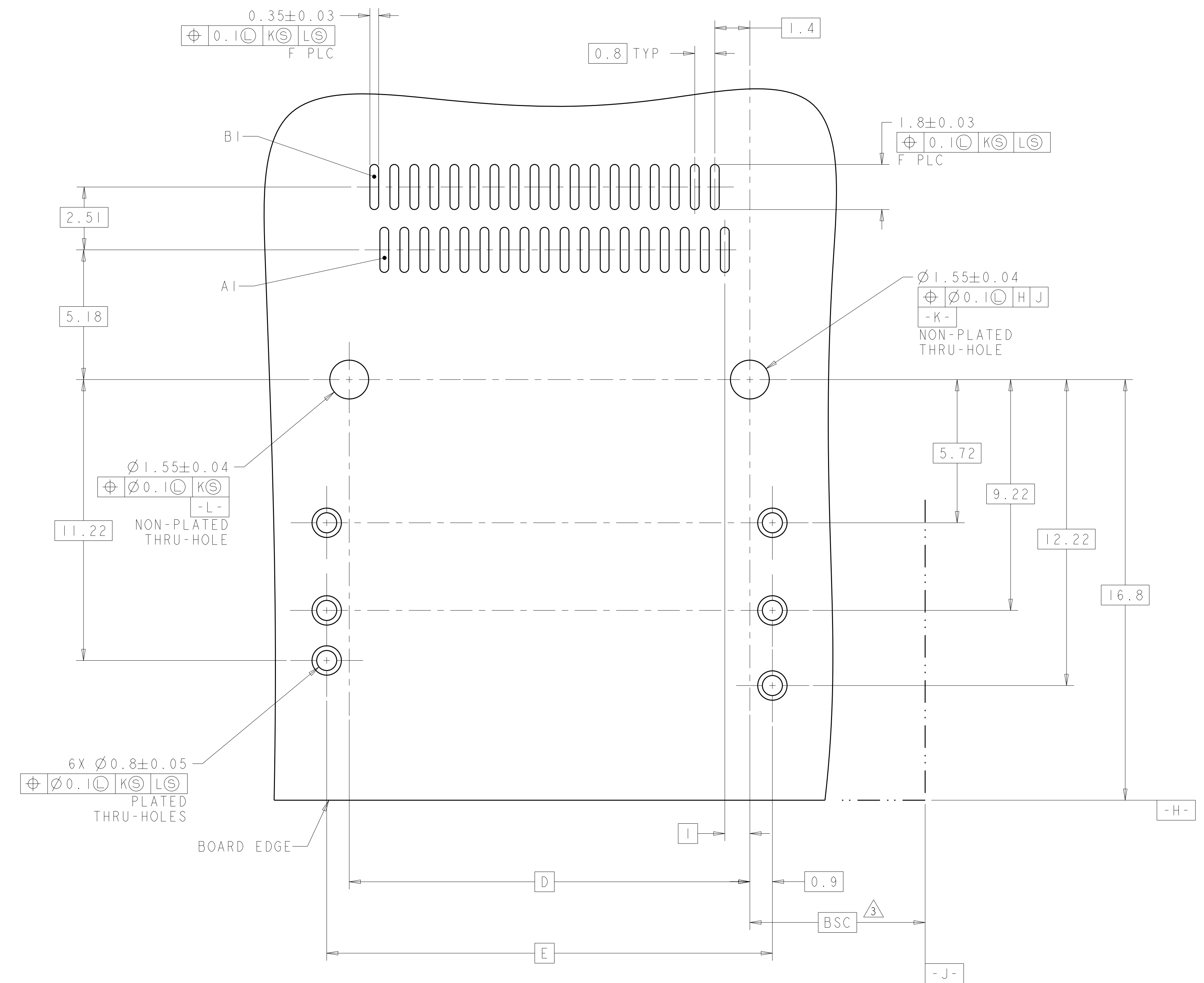
FIGURE N

- 1 MATERIAL: NICKEL-SILVER PER ASTM B 122.
- 2. SHELL ASSEMBLY TO BE USED WITH THE SURFACE MOUNT RECEPTACLE CONNECTOR PART NUMBER REFERENCED IN TABLE
- 3 DATUM AND BASIC DIMENSION ESTABLISHED BY CUSTOMER

M	1761987-2	3.5	36	17.8	16	18.05	36	I-1888862-6
M	1761987-2	2.8	36	17.8	16	18.05	36	I-1888862-2
N	1761987-2	-	36	17.8	16	18.05	36	1888862-8
M	1761987-2	2	36	17.8	16	18.05	36	1888862-4
FIGURE	CONNECTOR PART NUMBER	G	F	E	D	A	POSN	PART NUMBER

DIMENSIONS: mm TOLERANCES UNLESS OTHERWISE SPECIFIED: 0 PLG ±.1 1 PLG ±.1 2 PLG ±.1 3 PLG ±.1 4 PLG ±.1 ANGLES ±.1		DRAWN: MCMASTER 21FEB07 CHG: D. GOBENC 21FEB07 APPV: D. GOBENC 21FEB07 NAME:		Tyco Electronics Harrisburg, PA 17105-3608	
MATERIAL: FINISH:		PRODUCT SPEC: 188-2234 APPLICATION SPEC:		EVERCLEAR Mini-SAS INTERNAL SHELL, RIGHT ANGLE RECEPTACLE, UNKEYED	
REIGHT: - CUSTOMER DRAWING		SIZE: A 00779 1888862		RESTRICTED TO: - SCALE: 1:1 SHEET 1 OF 2 REV A 1	

REV	DATE	DESCRIPTION	DATE	DWN	APPD
GP 00		SEE SHEET 1			



RECOMMENDED PCB LAYOUT
 SCALE 10:1

DIMENSIONS: mm 0 PLG ± 1 PLG ± 2 PLG ±0.1 3 PLG ± 4 PLG ± ENDOES ±		TOLERANCES UNLESS OTHERWISE SPECIFIED: 0 PLG ± 1 PLG ± 2 PLG ±0.1 3 PLG ± 4 PLG ± ENDOES ±		DWN: MCMASPER 21FEB01 CH: D. GOBENC 21FEB01 APPD: D. GOBENC 21FEB01 NAME:	Tyco Electronics Tyco Electronics Harrisburg, PA 17105-3608
MATERIAL:		FINISH:		PRODUCT SPEC: 108-2234 APPLICATION SPEC:	EVERCLEAR Mini-SAS INTERNAL SHELL, RIGHT ANGLE RECEPTACLE, UNKEYED
WEIGHT:		REIGHT:		SIZE: A 00779 C=1888862 CUSTOMER DRAWING	RESTRICTED TO:
SCALE: 5:1		SHEET: 2 OF 2		REV: A1	