



Chipsmall Limited consists of a professional team with an average of over 10 year of expertise in the distribution of electronic components. Based in Hongkong, we have already established firm and mutual-benefit business relationships with customers from,Europe,America and south Asia,supplying obsolete and hard-to-find components to meet their specific needs.

With the principle of “Quality Parts,Customers Priority,Honest Operation,and Considerate Service”,our business mainly focus on the distribution of electronic components. Line cards we deal with include Microchip,ALPS,ROHM,Xilinx,Pulse,ON,Everlight and Freescale. Main products comprise IC,Modules,Potentiometer,IC Socket,Relay,Connector.Our parts cover such applications as commercial,industrial, and automotives areas.

We are looking forward to setting up business relationship with you and hope to provide you with the best service and solution. Let us make a better world for our industry!



## Contact us

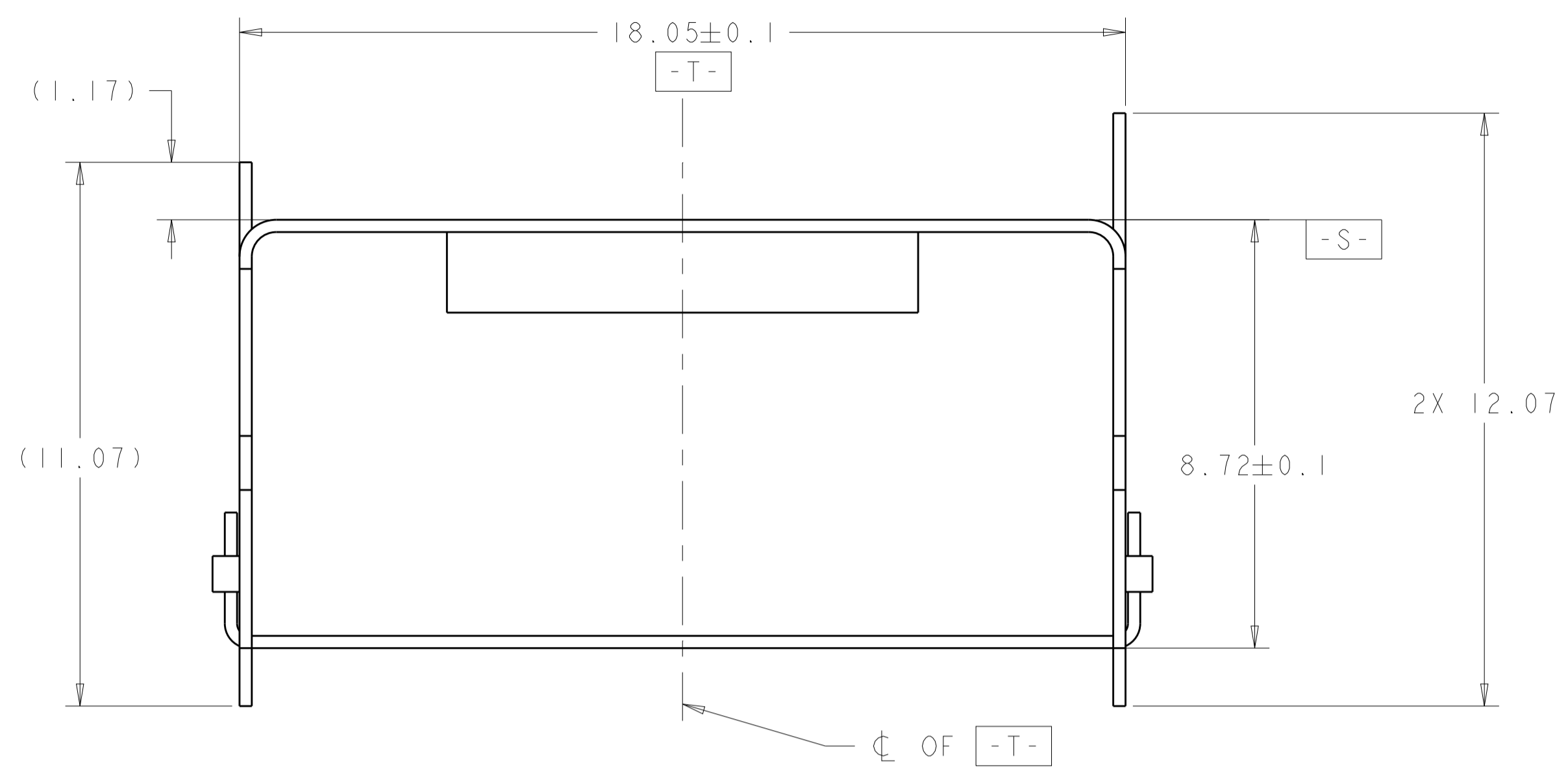
Tel: +86-755-8981 8866 Fax: +86-755-8427 6832

Email & Skype: info@chipsmall.com Web: www.chipsmall.com

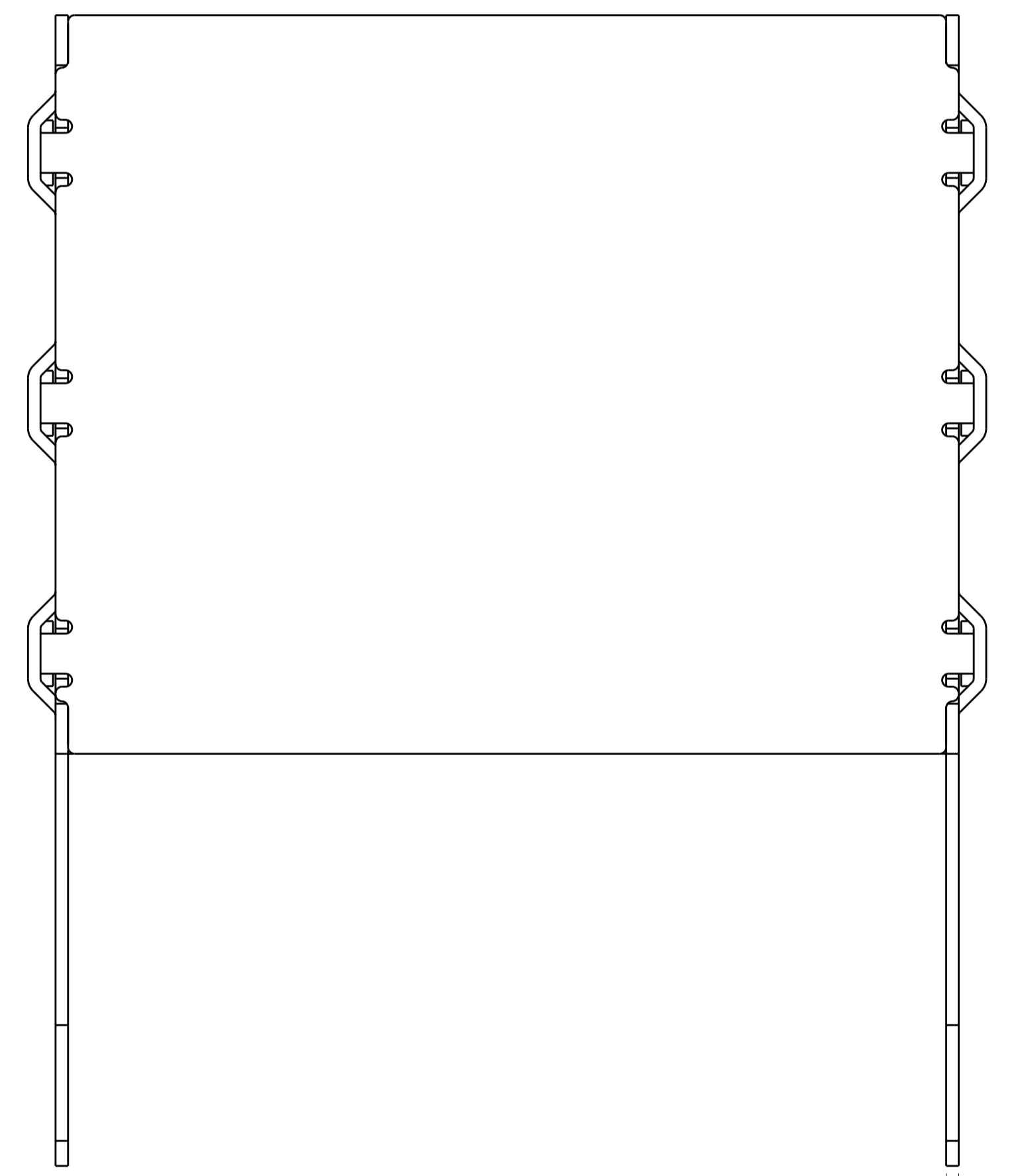
Address: A1208, Overseas Decoration Building, #122 Zhenhua RD., Futian, Shenzhen, China



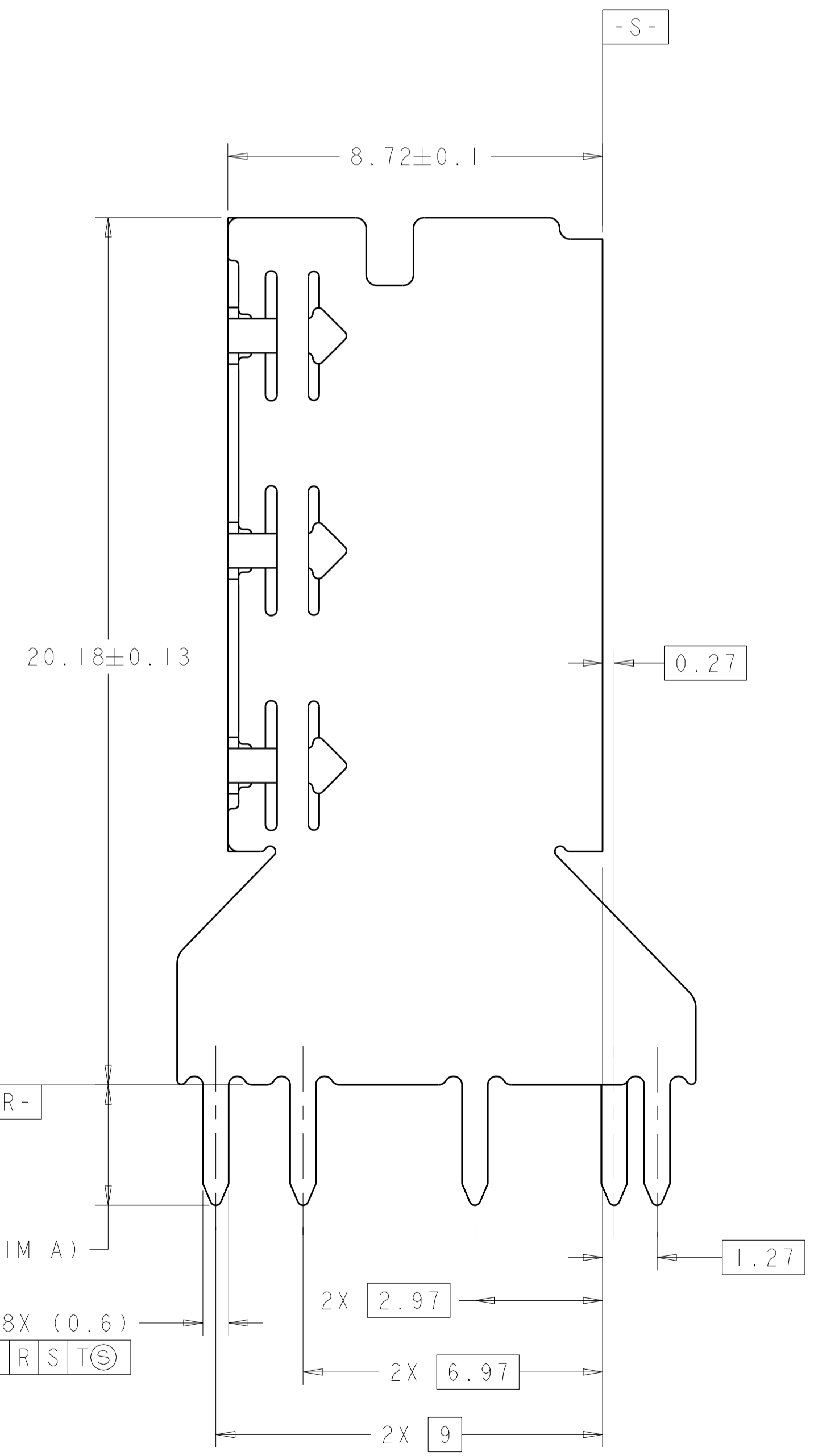
REVISIONS				
P.	LTN	DESCRIPTION	DATE	DWN APVD
A1		RELEASED PER ECO-14-005892	21APR2014	BL JY
A2		RELEASED PER ECO-14-016798	19NOV2014	HW JY



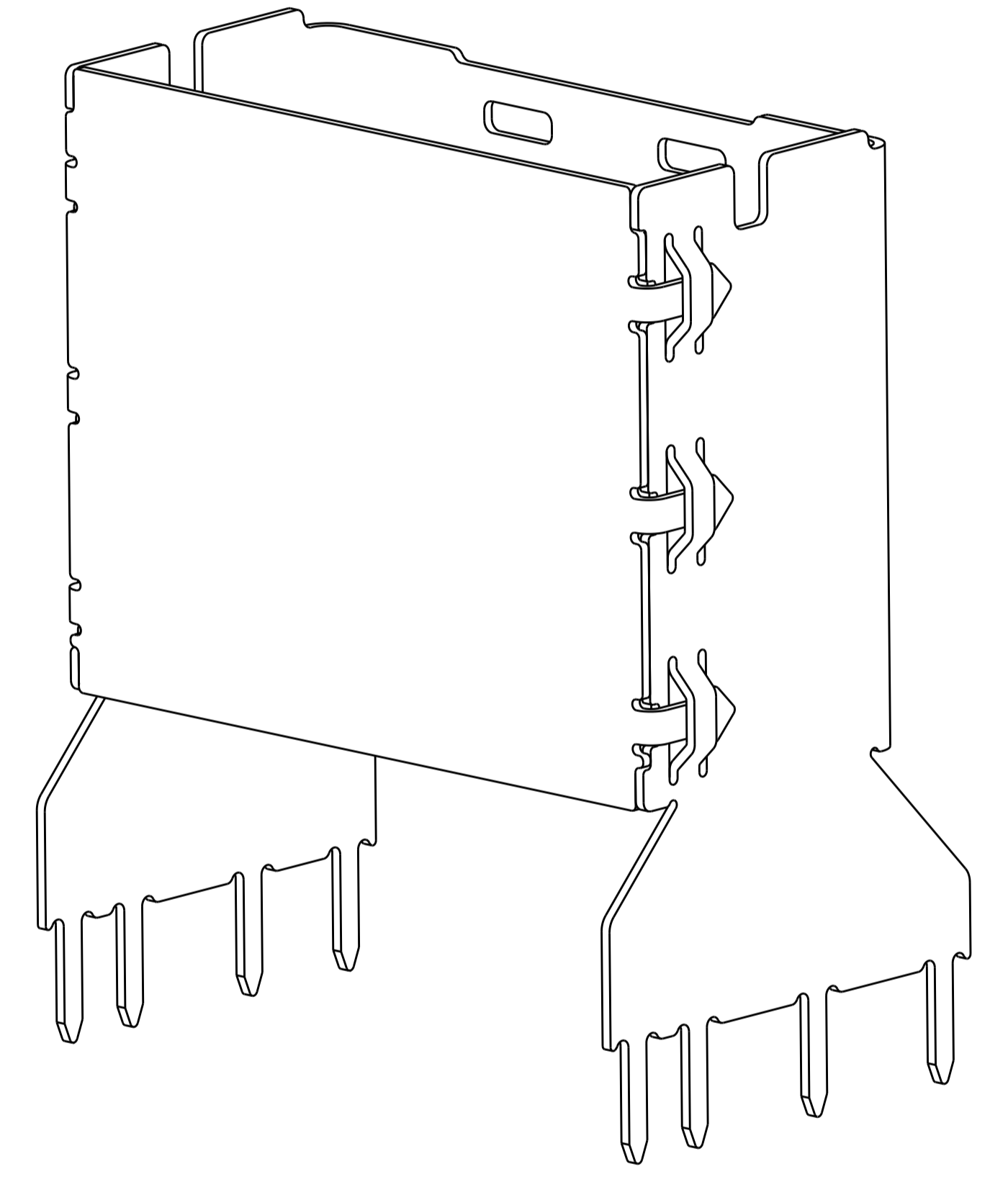
- ⚠ MATERIAL: NICKEL-SILVER PER ASTM B 122.
- 2. SHELL ASSEMBLY TO BE USED WITH THE SURFACE MOUNT RECEPTACLE CONNECTOR PART NUMBER REFERENCED IN TABLE.
- ⚠ DATUM AND BASIC DIMENSION ESTABLISHED BY CUSTOMER.



8X (0.25)  
 ⊕ 0.1 M R S T ⊙



8X (0.6)  
 ⊕ 0.1 M R S T ⊙

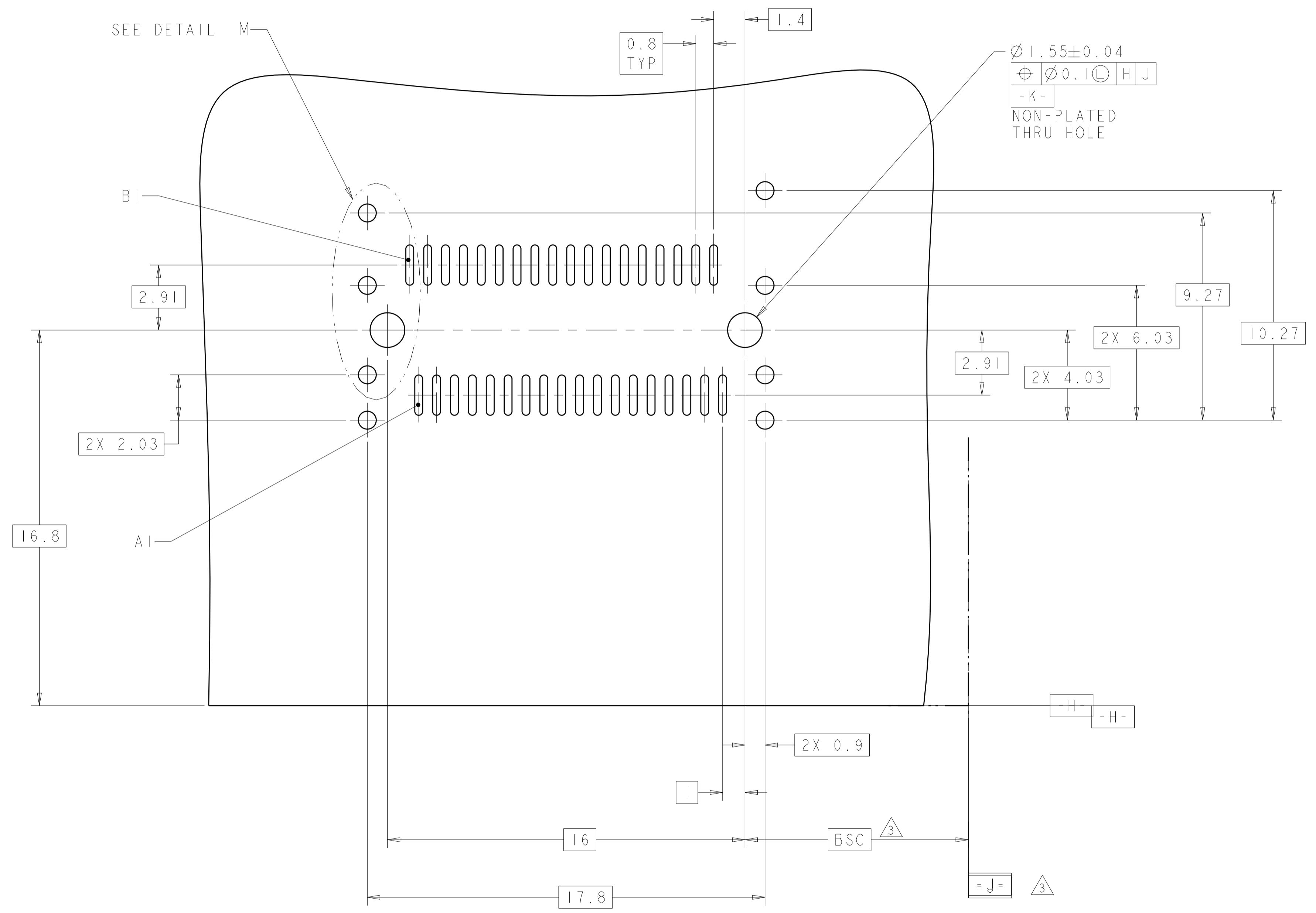


1-1888864-1  
 SCALE 8:1

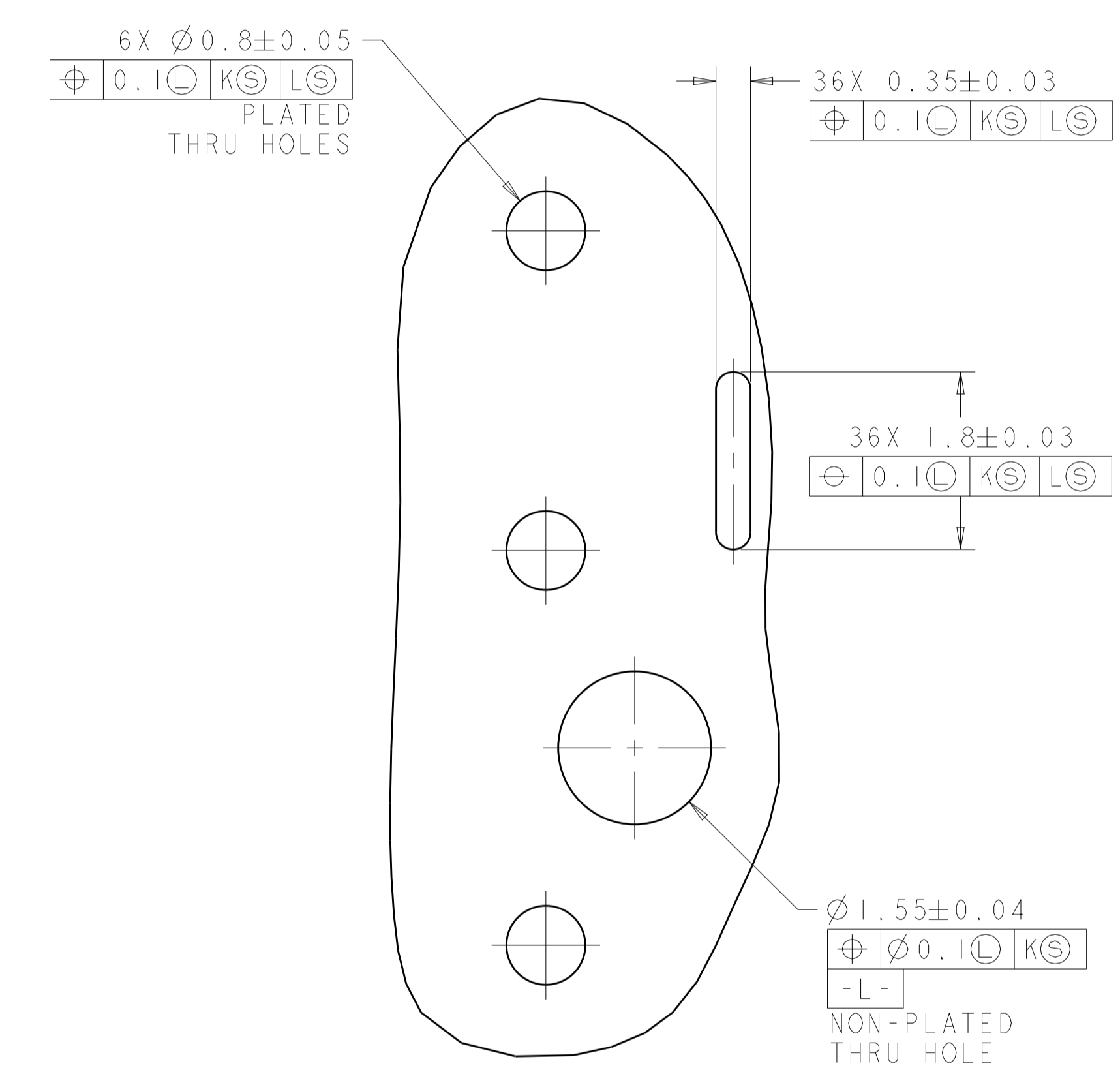
2.00	1888020-2	36	2-1888864-0
3.50	1888020-2	36	1-1888864-2
2.80	1888020-2	36	1-1888864-1
DIM A	CONNECTOR PART NUMBER	POSN	PART NUMBER

THIS DRAWING IS A CONTROLLED DOCUMENT.		DWN B. MCMASTER 22JAN07	<b>STE</b> TE Connectivity	
DIMENSIONS: mm		CHK D. GORENC 22JAN07		
TOLERANCES UNLESS OTHERWISE SPECIFIED:		APVD D. GORENC 22JAN07	NAME EVERCLEAR Mini-SAS INTERNAL SHELL ASSEMBLY, VERTICAL, RECEPTACLE, UNKEYED	
0 PLC ±	1 PLC ±0.1	PRODUCT SPEC 108-2234	SIZE CAGE CODE DRAWING NO RESTRICTED TO	
2 PLC ±	3 PLC ±	APPLICATION SPEC	A100779C=1888864	
4 PLC ±	ANGLES ±	FINISH	WEIGHT	
MATERIAL		SCALE 10:1	SHEET 1 OF 2 REV A2	
CUSTOMER DRAWING				

REVISIONS				
P.	LTN	DESCRIPTION	DATE	APVD
-	-	SEE SHEET 1	-	-



RECOMMENDED PCB LAYOUT  
 SCALE 8:1



DETAIL M  
 SCALE 20:1

THIS DRAWING IS A CONTROLLED DOCUMENT.		DWN B. MCMASTER 22JAN07	TE Connectivity
DIMENSIONS: mm		CHK D. GORENC 22JAN07	
TOLERANCES UNLESS OTHERWISE SPECIFIED: 0 PLC ± 1 PLC ±0.1 2 PLC ± 3 PLC ± 4 PLC ± ANGLES ±		APVD D. GORENC 22JAN07	NAME
MATERIAL TBD		PRODUCT SPEC 108-2234	EVERCLEAR Mini-SAS INTERNAL SHELL ASSEMBLY, VERTICAL, RECEPTACLE, UNKEYED
FINISH		APPLICATION SPEC	RESTRICTED TO
CUSTOMER DRAWING		WEIGHT	SIZE CAGE CODE DRAWING NO. A100779C=1888864
SCALE 10:1		SHEET 2 OF 2	REV A2