



Chipsmall Limited consists of a professional team with an average of over 10 year of expertise in the distribution of electronic components. Based in Hongkong, we have already established firm and mutual-benefit business relationships with customers from,Europe,America and south Asia,supplying obsolete and hard-to-find components to meet their specific needs.

With the principle of “Quality Parts,Customers Priority,Honest Operation,and Considerate Service”,our business mainly focus on the distribution of electronic components. Line cards we deal with include Microchip,ALPS,ROHM,Xilinx,Pulse,ON,Everlight and Freescale. Main products comprise IC,Modules,Potentiometer,IC Socket,Relay,Connector.Our parts cover such applications as commercial,industrial, and automotives areas.

We are looking forward to setting up business relationship with you and hope to provide you with the best service and solution. Let us make a better world for our industry!



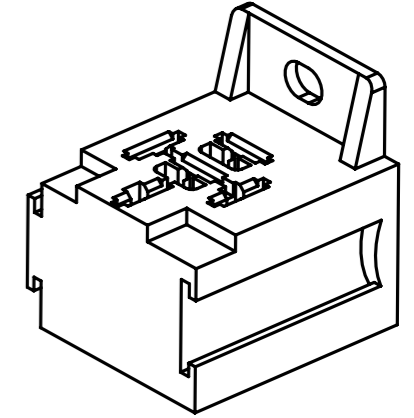
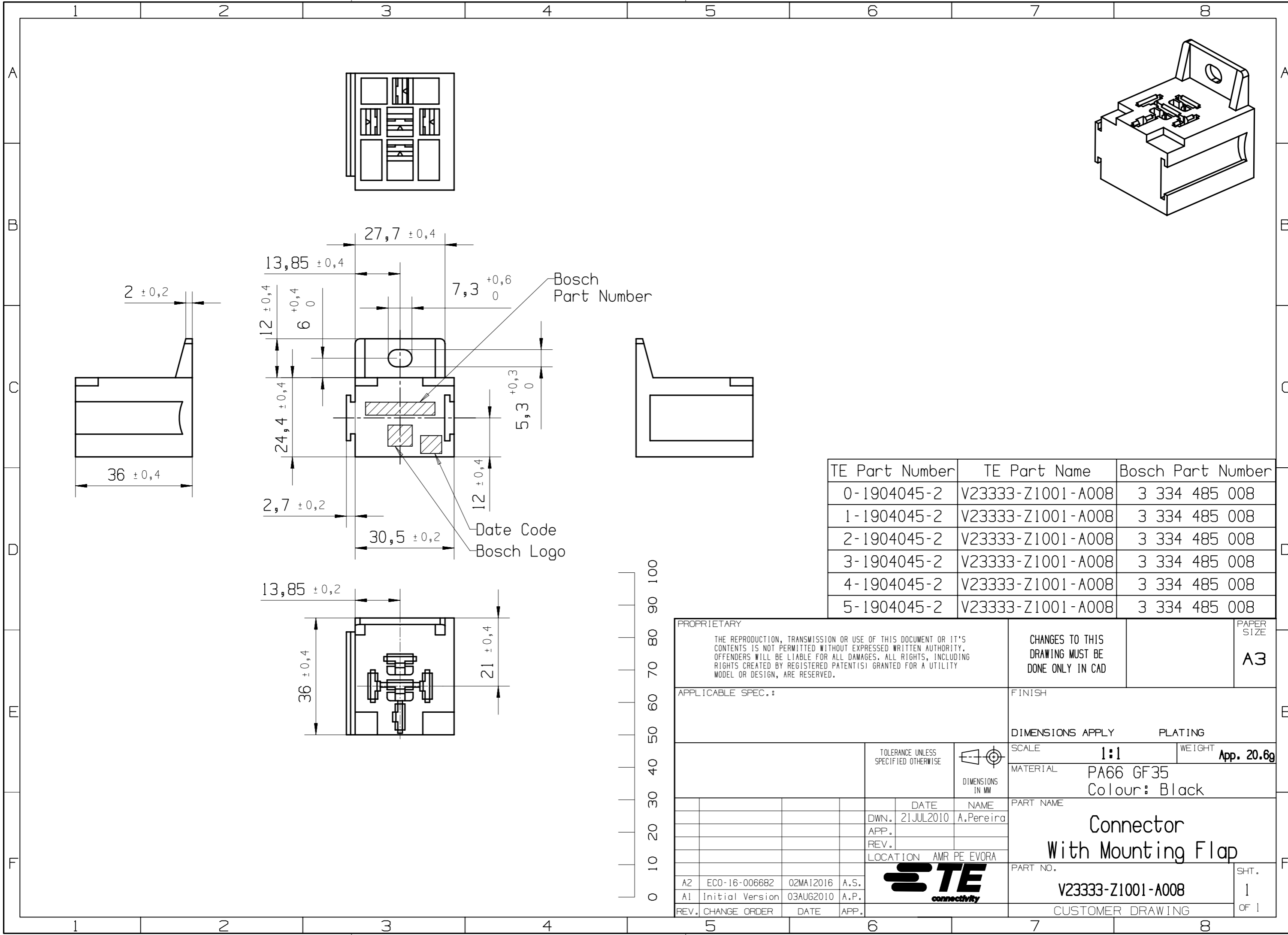
Contact us

Tel: +86-755-8981 8866 Fax: +86-755-8427 6832

Email & Skype: info@chipsmall.com Web: www.chipsmall.com

Address: A1208, Overseas Decoration Building, #122 Zhenhua RD., Futian, Shenzhen, China





TE Part Number	TE Part Name	Bosch Part Number
0-1904045-2	V23333-Z1001-A008	3 334 485 008
1-1904045-2	V23333-Z1001-A008	3 334 485 008
2-1904045-2	V23333-Z1001-A008	3 334 485 008
3-1904045-2	V23333-Z1001-A008	3 334 485 008
4-1904045-2	V23333-Z1001-A008	3 334 485 008
5-1904045-2	V23333-Z1001-A008	3 334 485 008

PROPRIETARY THE REPRODUCTION, TRANSMISSION OR USE OF THIS DOCUMENT OR IT'S CONTENTS IS NOT PERMITTED WITHOUT EXPRESSED WRITTEN AUTHORITY. OFFENDERS WILL BE LIABLE FOR ALL DAMAGES. ALL RIGHTS, INCLUDING RIGHTS CREATED BY REGISTERED PATENT(S) GRANTED FOR A UTILITY MODEL OR DESIGN, ARE RESERVED.			CHANGES TO THIS DRAWING MUST BE DONE ONLY IN CAD	PAPER SIZE A3
APPLICABLE SPEC.:			FINISH	
TOLERANCE UNLESS SPECIFIED OTHERWISE			DIMENSIONS APPLY	PLATING
DIMENSIONS IN MM			SCALE 1:1	WEIGHT App. 20.6g
MATERIAL			PA66 GF35 Colour: Black	
DATE 21JUL2010			NAME A.Pereira	
LOCATION AMR PE EVORA			PART NAME Connector With Mounting Flap	
REV. CHANGE ORDER			PART NO. V23333-Z1001-A008	
DATE 03AUG2010			SHT. 1	
APP.			OF 1	
REV. CHANGE ORDER			CUSTOMER DRAWING	

