



Chipsmall Limited consists of a professional team with an average of over 10 year of expertise in the distribution of electronic components. Based in Hongkong, we have already established firm and mutual-benefit business relationships with customers from,Europe,America and south Asia,supplying obsolete and hard-to-find components to meet their specific needs.

With the principle of “Quality Parts,Customers Priority,Honest Operation,and Considerate Service”,our business mainly focus on the distribution of electronic components. Line cards we deal with include Microchip,ALPS,ROHM,Xilinx,Pulse,ON,Everlight and Freescale. Main products comprise IC,Modules,Potentiometer,IC Socket,Relay,Connector.Our parts cover such applications as commercial,industrial, and automotives areas.

We are looking forward to setting up business relationship with you and hope to provide you with the best service and solution. Let us make a better world for our industry!



## Contact us

Tel: +86-755-8981 8866 Fax: +86-755-8427 6832

Email & Skype: info@chipsmall.com Web: www.chipsmall.com

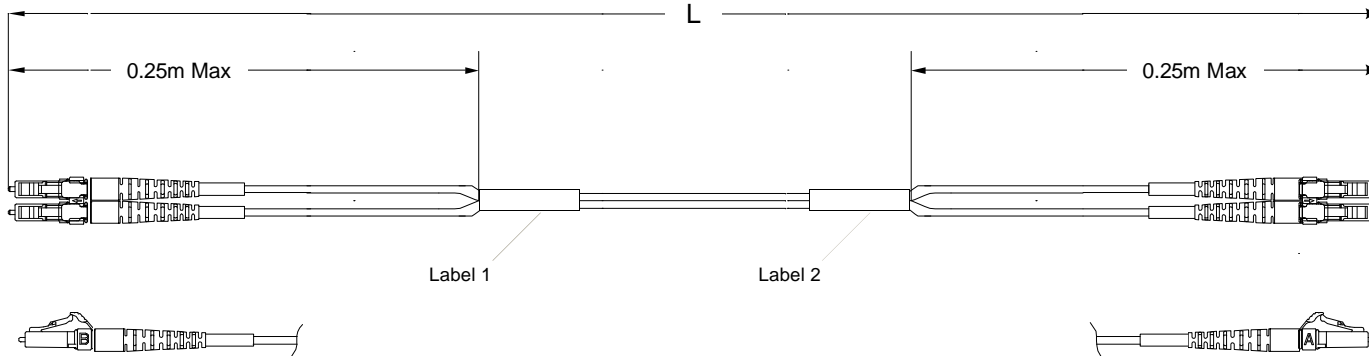
Address: A1208, Overseas Decoration Building, #122 Zhenhua RD., Futian, Shenzhen, China



Restricted to: General Release

1906012

THIS DRAWING IS A CONTROLLED DOCUMENT.



Connector(s): LC-Duplex Secure  
 Mode: MM  
 Housing Color: Red  
 Geom. Spec: N/A

Number of Fibers: 2  
 Mode: MM  
 Jacket Diameter: 2.0 mm  
 Jacket Color: Orange  
 FiberType: 50/125

Connector(s): LC-Duplex  
 Mode: MM  
 Housing Color: Beige  
 Geom. Spec: N/A

A - \_\_\_\_\_ - B  
 B - \_\_\_\_\_ - A

LC strain relief - 1.6 to 2.0 mm cable  
 Color: Beige/Beige

LC strain relief - 1.6 to 2.0 mm cable  
 Color: Beige/Beige

Notes:

- 1 Product and Processing must meet requirements of Tyco Electronics Standard 230-702
- 2 Includes dust caps (not shown on print).

THIS INFORMATION IS CONFIDENTIAL AND PROPRIETARY TO TYCO ELECTRONICS CORPORATION. IT IS NOT TO BE DISCLOSED TO ANY OTHER PERSON OR ENTITY WITHOUT THE WRITTEN AUTHORIZATION OF TYCO ELECTRONICS CORPORATION, HARRISBURG, PENNSYLVANIA.

LOC  
 CE  
 DIST  
 16

A	Rev Per EC#	RELEASE	5/23/2006	-			
P	LTR	REVISION RECORD	DATE	DIN	APVD		

DIMENSIONS:	TOLERANCES UNLESS OTHERWISE SPECIFIED:
meters	
0 PLC	± .
1 PLC	± .
2 PLC	± .
3 PLC	± .
4 PLC	± .

Customer Print

DIN	Cable Assy Configurator	MATERIAL		HEAT TREAT	
OK	Cable Assy Configurator	Tyco Electronics, Inc. Harrisburg, PA 17105-3608			
APVD	Refer to Engineering Change				
NAME	FO C/A - 2 fiber, 2mm, 50/125, OFNR (Riser) jacket, LC-Duplex Secure to LC-Duplex				
SCALE	SIZE	DRAWING NO	SHEET	REV	
NTS	A2	C- 1906012	1 of 3	A	

USED ON

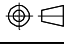
Part #	L (meters)	LC-Duplex Secure, Red		LC-Duplex, Beige	
		IL (dB)	RL (dB)	IL (dB)	RL (dB)
0-1906012-1	0.950 - 1.050	0.5	-	0.5	-
0-1906012-2	1.950 - 2.050	0.5	-	0.5	-
0-1906012-3	2.950 - 3.050	0.5	-	0.5	-
0-1906012-4	3.920 - 4.080	0.5	-	0.5	-
0-1906012-5	4.920 - 5.080	0.5	-	0.5	-
0-1906012-6	5.920 - 6.080	0.5	-	0.5	-
0-1906012-7	6.920 - 7.080	0.51	-	0.51	-
0-1906012-8	7.920 - 8.080	0.51	-	0.51	-
0-1906012-9	8.850 - 9.150	0.51	-	0.51	-
1-1906012-0	9.850 - 10.150	0.51	-	0.51	-
1-1906012-1	10.850 - 11.150	0.51	-	0.51	-
1-1906012-2	11.850 - 12.150	0.51	-	0.51	-
1-1906012-3	12.850 - 13.150	0.51	-	0.51	-
1-1906012-4	13.850 - 14.150	0.52	-	0.52	-
1-1906012-5	14.850 - 15.150	0.52	-	0.52	-
1-1906012-6	15.840 - 16.160	0.52	-	0.52	-
1-1906012-7	16.830 - 17.170	0.52	-	0.52	-
1-1906012-8	17.820 - 18.180	0.52	-	0.52	-
1-1906012-9	18.810 - 19.190	0.52	-	0.52	-
2-1906012-0	19.800 - 20.200	0.53	-	0.53	-
2-1906012-1	20.790 - 21.210	0.53	-	0.53	-
2-1906012-2	21.780 - 22.220	0.53	-	0.53	-
2-1906012-3	22.770 - 23.230	0.53	-	0.53	-
2-1906012-4	23.760 - 24.240	0.53	-	0.53	-
2-1906012-5	24.750 - 25.250	0.53	-	0.53	-
2-1906012-6	25.740 - 26.260	0.53	-	0.53	-
2-1906012-7	26.730 - 27.270	0.54	-	0.54	-
2-1906012-8	27.720 - 28.280	0.54	-	0.54	-
2-1906012-9	28.710 - 29.290	0.54	-	0.54	-
3-1906012-0	29.700 - 30.300	0.54	-	0.54	-
3-1906012-1	30.690 - 31.310	0.54	-	0.54	-
3-1906012-2	31.680 - 32.320	0.54	-	0.54	-
3-1906012-3	32.670 - 33.330	0.54	-	0.54	-
3-1906012-4	33.660 - 34.340	0.55	-	0.55	-
3-1906012-5	34.650 - 35.350	0.55	-	0.55	-
3-1906012-6	35.640 - 36.360	0.55	-	0.55	-
3-1906012-7	36.630 - 37.370	0.55	-	0.55	-
3-1906012-8	37.620 - 38.380	0.55	-	0.55	-
3-1906012-9	38.610 - 39.390	0.55	-	0.55	-
4-1906012-0	39.600 - 40.400	0.56	-	0.56	-
5-1906012-0	49.500 - 50.500	0.57	-	0.57	-

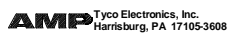
THIS DRAWING IS A CONTROLLED DOCUMENT.

THIS INFORMATION IS CONFIDENTIAL AND PROPRIETARY TO TYCO ELECTRONICS. IT IS NOT TO BE DISCLOSED TO ANY OTHERS WITHOUT THE WRITTEN AUTHORIZATION OF TYCO ELECTRONICS CORPORATION, HARRISBURG, PENNSYLVANIA.

LOC  
CE  
DIST  
16

A	Rev Per ECH	RELEASE	5/23/2006	-					
P	LTR	REVISION RECORD	DATE	DIN	APVD				

DIMENSIONS: meters  
 TOLERANCES UNLESS OTHERWISE SPECIFIED:  
 0 PLC ± .  
 1 PLC ± .  
 2 PLC ± .  
 3 PLC ± .  
 4 PLC ± .  


DIN	Cable Assy Configurator	MATERIAL	-	HEAT TREAT	-
OK	Cable Assy Configurator				
APVD	Refer to Engineering Change				
NAME	FO C/A - 2 fiber, 2mm, 50/125, OFNR (Riser) jacket, LC-Duplex Secure to LC-Duplex				
SCALE	SIZE	DRAWING NO	SHEET	REV	
NTS	A2	C- 1906012	2 of 3	A	

CAC Customer Layout Rev: D

8

7

6

5

4

3

2

1

A B C D

Label 1

Per specification 107-1645-1



Trace # - Bar Code  
Trace # - Human Readable  
Part Number  
Country of Origin

This label is used on all lengths on this drawing.

Label 2

Per specification 107-1645-1



Trace # - Bar Code  
Trace # - Human Readable  
Part Number  
Country of Origin

This label is used on all lengths on this drawing.

THIS DRAWING IS A CONTROLLED DOCUMENT.

THIS INFORMATION IS CONFIDENTIAL AND PROPRIETARY TO TYCO ELECTRONICS CORPORATION. IT IS NOT TO BE DISCLOSED TO ANY OTHER PERSONS OR ORGANIZATIONS WITHOUT WRITTEN AUTHORIZATION FROM TYCO ELECTRONICS CORPORATION, HARRISBURG, PENNSYLVANIA.

LOC  
CE  
DIST  
16

A	Rev Per EC#	RELEASE	5/23/2006	-			
P	LTR	REVISION RECORD	DATE	DIN	APVD		

DIMENSIONS: meters	TOLERANCES UNLESS OTHERWISE SPECIFIED:
0 PLC ± .	1 PLC ± .
2 PLC ± .	3 PLC ± .
4 PLC ± .	

Customer Print

DIN	Cable Assy Configurator	MATERIAL	HEAT TREAT
OK	Cable Assy Configurator		
APVD	Refer to Engineering Change	<b>AMP</b> Tyco Electronics, Inc. Harrisburg, PA 17105-3608	
NAME	FO C/A - 2 fiber, 2mm, 50/125, OFNR (Riser) jacket, LC-Duplex Secure to LC-Duplex		
SCALE	SIZE	DRAWING NO	SHEET
NTS	A2	C- 1906012	3 of 3
			REV
			A

D  
C  
B  
A