



Chipsmall Limited consists of a professional team with an average of over 10 year of expertise in the distribution of electronic components. Based in Hongkong, we have already established firm and mutual-benefit business relationships with customers from,Europe,America and south Asia,supplying obsolete and hard-to-find components to meet their specific needs.

With the principle of “Quality Parts,Customers Priority,Honest Operation,and Considerate Service”,our business mainly focus on the distribution of electronic components. Line cards we deal with include Microchip,ALPS,ROHM,Xilinx,Pulse,ON,Everlight and Freescale. Main products comprise IC,Modules,Potentiometer,IC Socket,Relay,Connector.Our parts cover such applications as commercial,industrial, and automotives areas.

We are looking forward to setting up business relationship with you and hope to provide you with the best service and solution. Let us make a better world for our industry!



## Contact us

Tel: +86-755-8981 8866 Fax: +86-755-8427 6832

Email & Skype: info@chipsmall.com Web: www.chipsmall.com

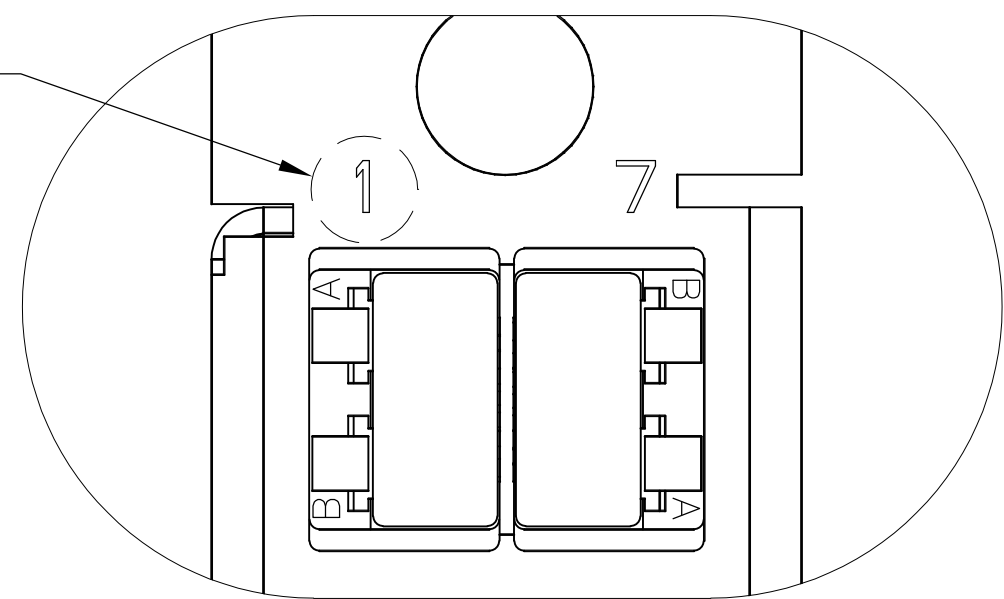
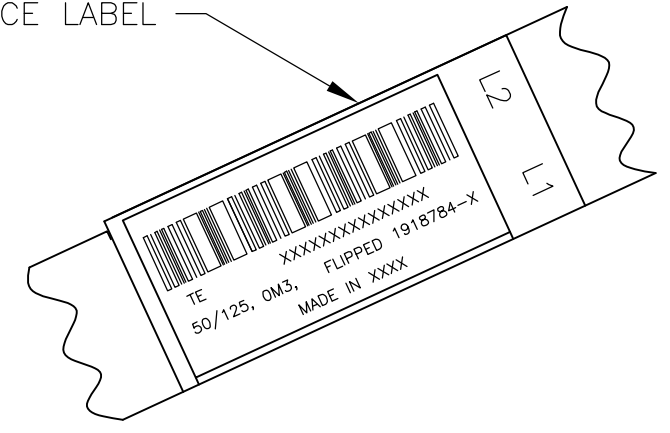
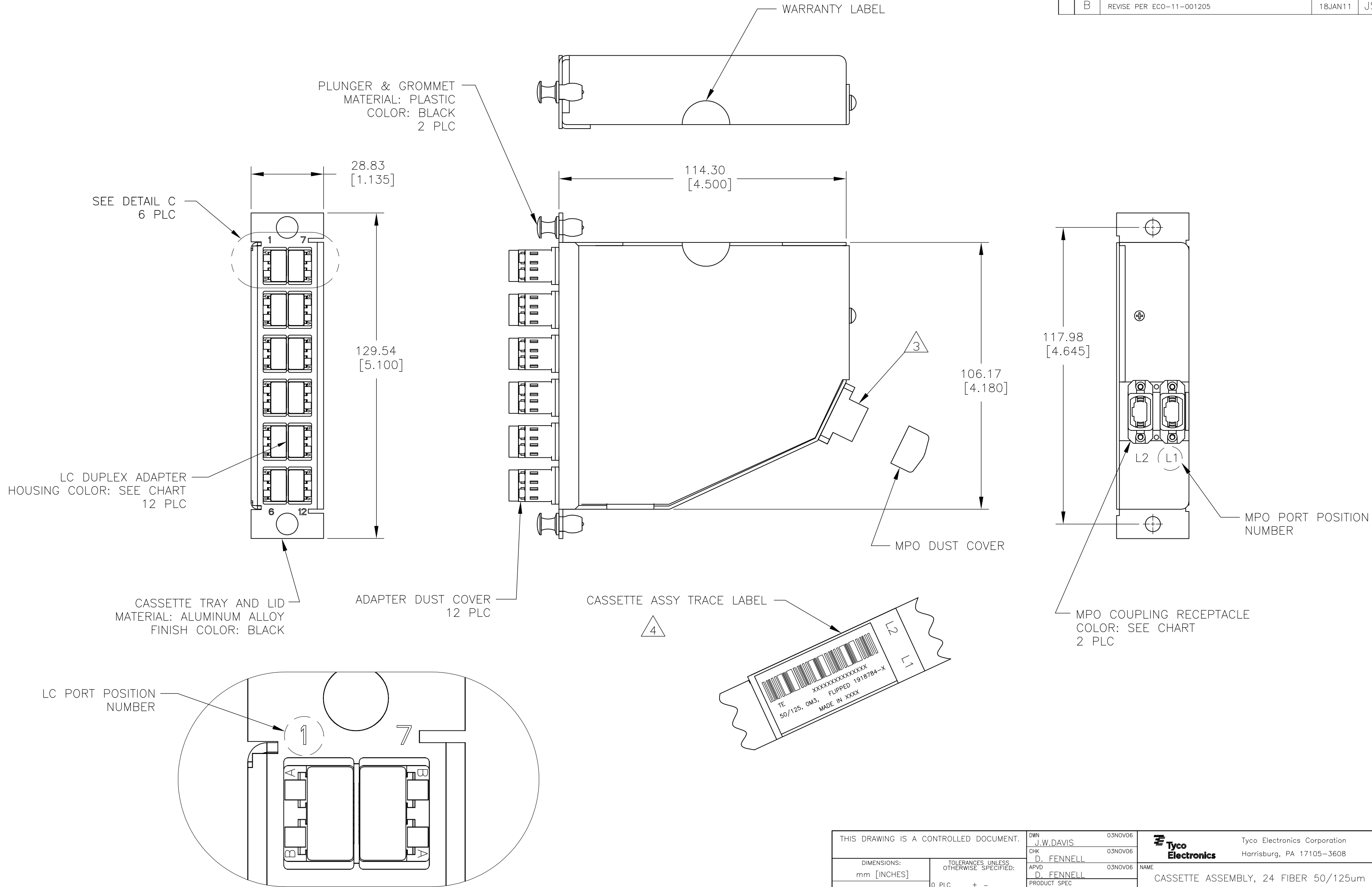
Address: A1208, Overseas Decoration Building, #122 Zhenhua RD., Futian, Shenzhen, China



LOC	DIST	REVISIONS					
CE	16	P	LTR	DESCRIPTION	DATE	DWN	APVD
		B		REVISE PER ECO-11-001205	18JAN11	JS	JS

D  
C  
B  
A

D  
C  
B  
A



DETAIL C

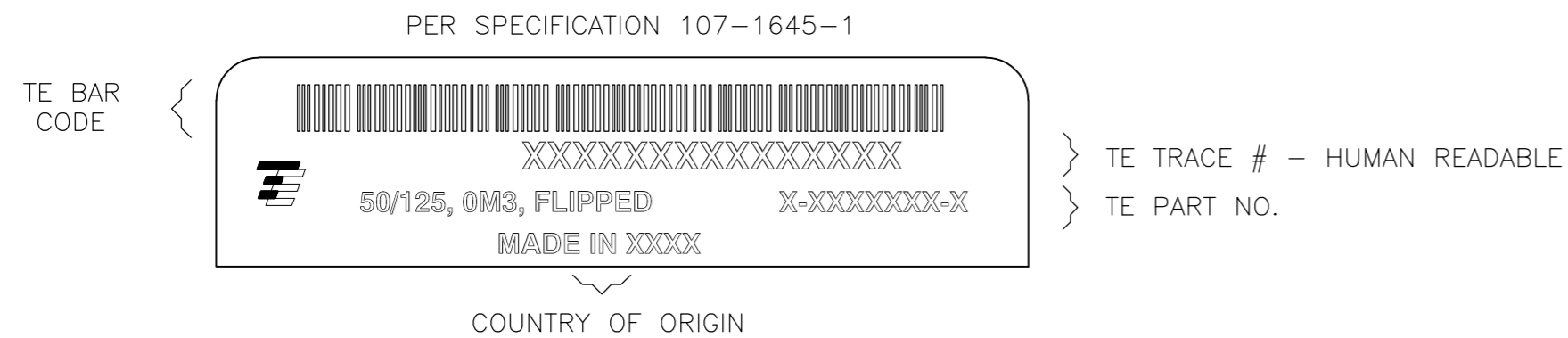
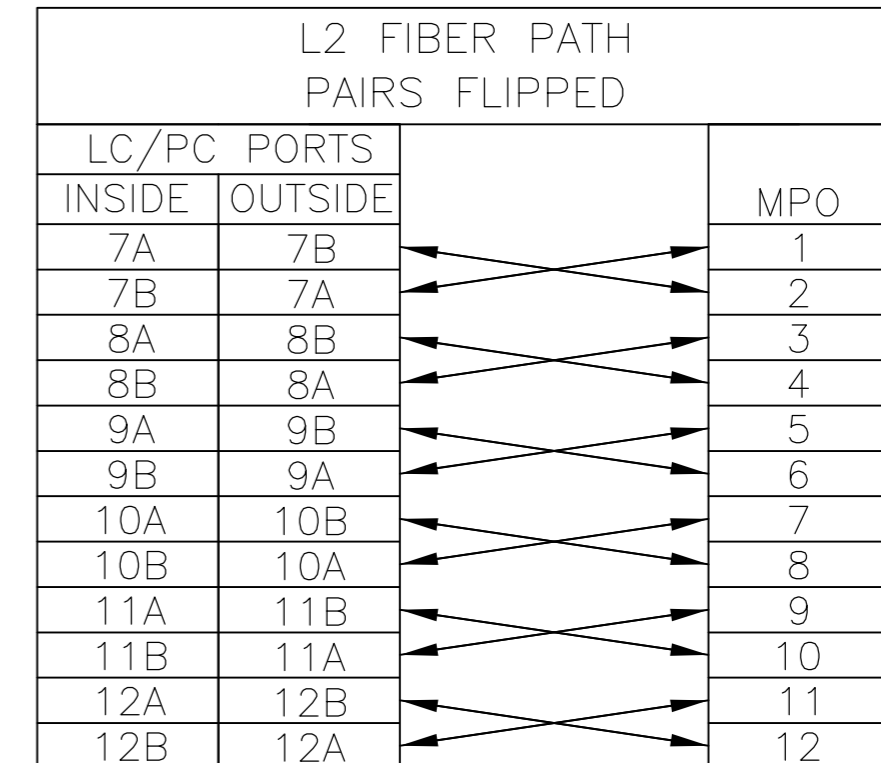
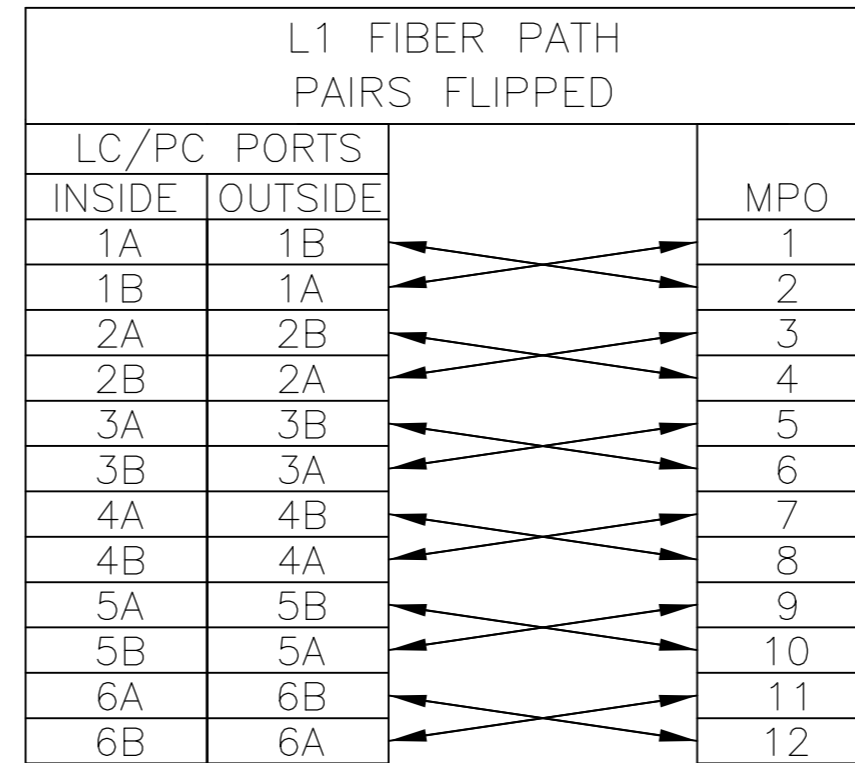
THIS DRAWING IS A CONTROLLED DOCUMENT.		DWN J.W.DAVIS	03NOV06	Tyco Electronics Corporation Harrisburg, PA 17105-3608
DIMENSIONS: mm [INCHES]		CHK D. FENNELL	03NOV06	
TOLERANCES UNLESS OTHERWISE SPECIFIED:		APVD D. FENNELL	03NOV06	NAME CASSETTE ASSEMBLY, 24 FIBER 50/125um OM3 MPO - LC PAIRS FLIPPED
0 PLC ± - 1 PLC ± - 2 PLC ± - 3 PLC ± - 4 PLC ± - ANGLES ± -		APPLICATION SPEC		SIZE A2
MATERIAL		WEIGHT		CAGE CODE 00779
FINISH		CUSTOMER DRAWING		DRAWING NO 1918784
				RESTRICTED TO
				SCALE NTS
				SHEET 1 of 2
				REV B

1918784

THIS DRAWING IS UNPUBLISHED. RELEASED FOR PUBLICATION  
 © COPYRIGHT BY TYCO ELECTRONICS CORPORATION. ALL RIGHTS RESERVED.

LOC	DIST	REVISIONS			
P	LTR	DESCRIPTION	DATE	DWN	APVD
CE	16	SEE SHEET 1	-	-	-


- MAXIMUM CABLE ASSEMBLY INSERTION LOSS IS 1.00dB WHEN TESTED AT 850nm OR 1300nm.
- MINIMUM CABLE ASSEMBLY RETURN LOSS IS 23dB WHEN TESTED AT 850nm OR 1300nm.
- WHITE MARKING ON MPO TO BE FACING TOWARD TOP OF CONNECTOR MODULE. WHITE MARK INDICATES FIBER 1 SIDE
- SEE TRACE LABEL DETAIL
- A COPY OF CASSETTE ASSEMBLY LOSS TEST DATA WILL BE PLACED INSIDE OR WITH THE UNIT PACKAGE. CASSETTES WILL BE TESTED AT 850nm WAVELENGTH.
- PRODUCT AND PROCESSING MUST MEET REQUIREMENTS OF TYCO ELECTRONICS STANDARD TEC-138-702



4 TRACE LABEL DETAIL

AQUA SECURE	AQUA SECURE	1-1918784-1
SLATE SECURE	SLATE SECURE	1-1918784-0
ROSE SECURE	ROSE SECURE	1918784-9
VIOLET SECURE	VIOLET SECURE	1918784-8
BROWN SECURE	BROWN SECURE	1918784-7
ORANGE SECURE	ORANGE SECURE	1918784-6
YELLOW SECURE	YELLOW SECURE	1918784-5
BLUE SECURE	BLUE SECURE	1918784-4
GREEN SECURE	GREEN SECURE	1918784-3
RED SECURE	RED SECURE	1918784-2
BLACK STANDARD	AQUA STANDARD	1918784-1
MPO COUPLING BUSHING COLOR & TYPE	LC ADAPTER COLOR & TYPE	PART NUMBER

THIS DRAWING IS A CONTROLLED DOCUMENT.

DWN J.W.DAVIS 03NOV06	 Tyco Electronics Corporation Harrisburg, PA 17105-3608					
CHK D. FENNELL 03NOV06						
APVD D. FENNELL 03NOV06						
PRODUCT SPEC						
APPLICATION SPEC	NAME CASSETTE ASSEMBLY, 24 FIBER 50/125um OM3 MPO - LC PAIRS FLIPPED					
MATERIAL	FINISH	WEIGHT	SIZE A2	CAGE CODE 00779	DRAWING NO. C=1918784	RESTRICTED TO
CUSTOMER DRAWING			SCALE NTS	SHEET 2 of 2	REV B	

1918784