



Chipsmall Limited consists of a professional team with an average of over 10 year of expertise in the distribution of electronic components. Based in Hongkong, we have already established firm and mutual-benefit business relationships with customers from,Europe,America and south Asia,supplying obsolete and hard-to-find components to meet their specific needs.

With the principle of "Quality Parts,Customers Priority,Honest Operation,and Considerate Service",our business mainly focus on the distribution of electronic components. Line cards we deal with include Microchip,ALPS,ROHM,Xilinx,Pulse,ON,Everlight and Freescale. Main products comprise IC,Modules,Potentiometer,IC Socket,Relay,Connector.Our parts cover such applications as commercial,industrial, and automotives areas.

We are looking forward to setting up business relationship with you and hope to provide you with the best service and solution. Let us make a better world for our industry!



Contact us

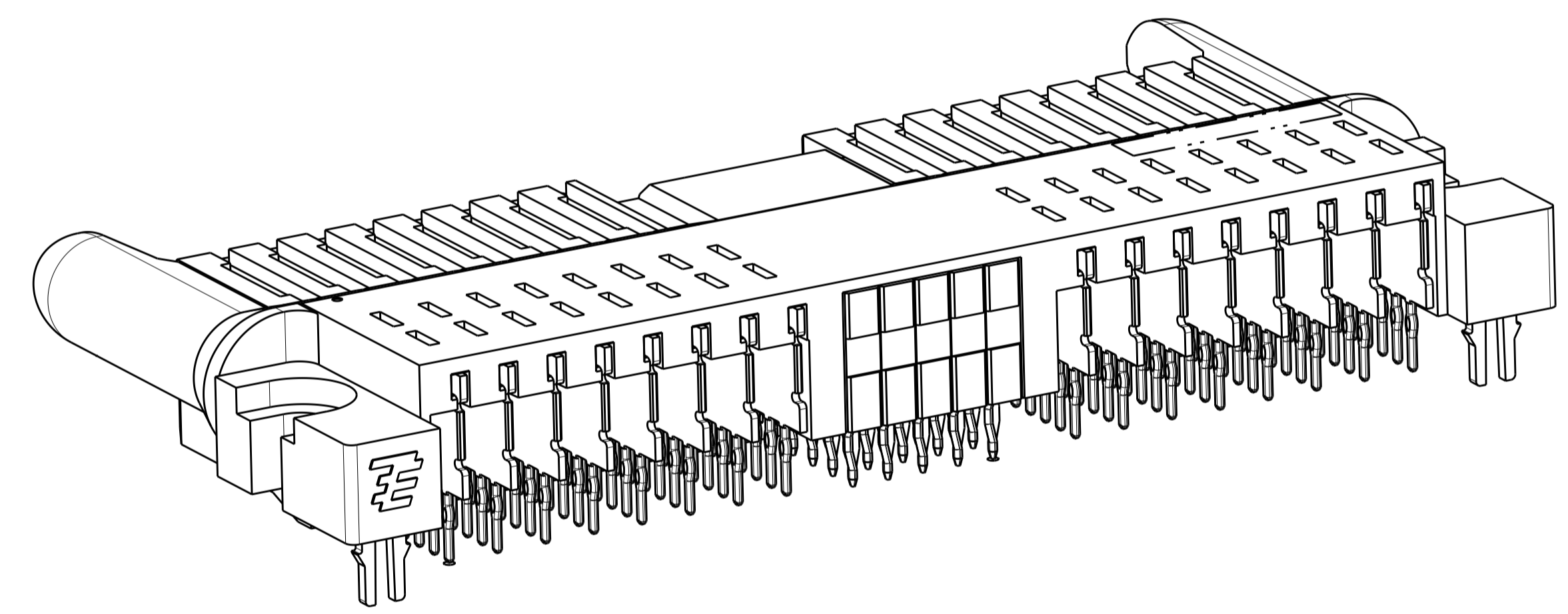
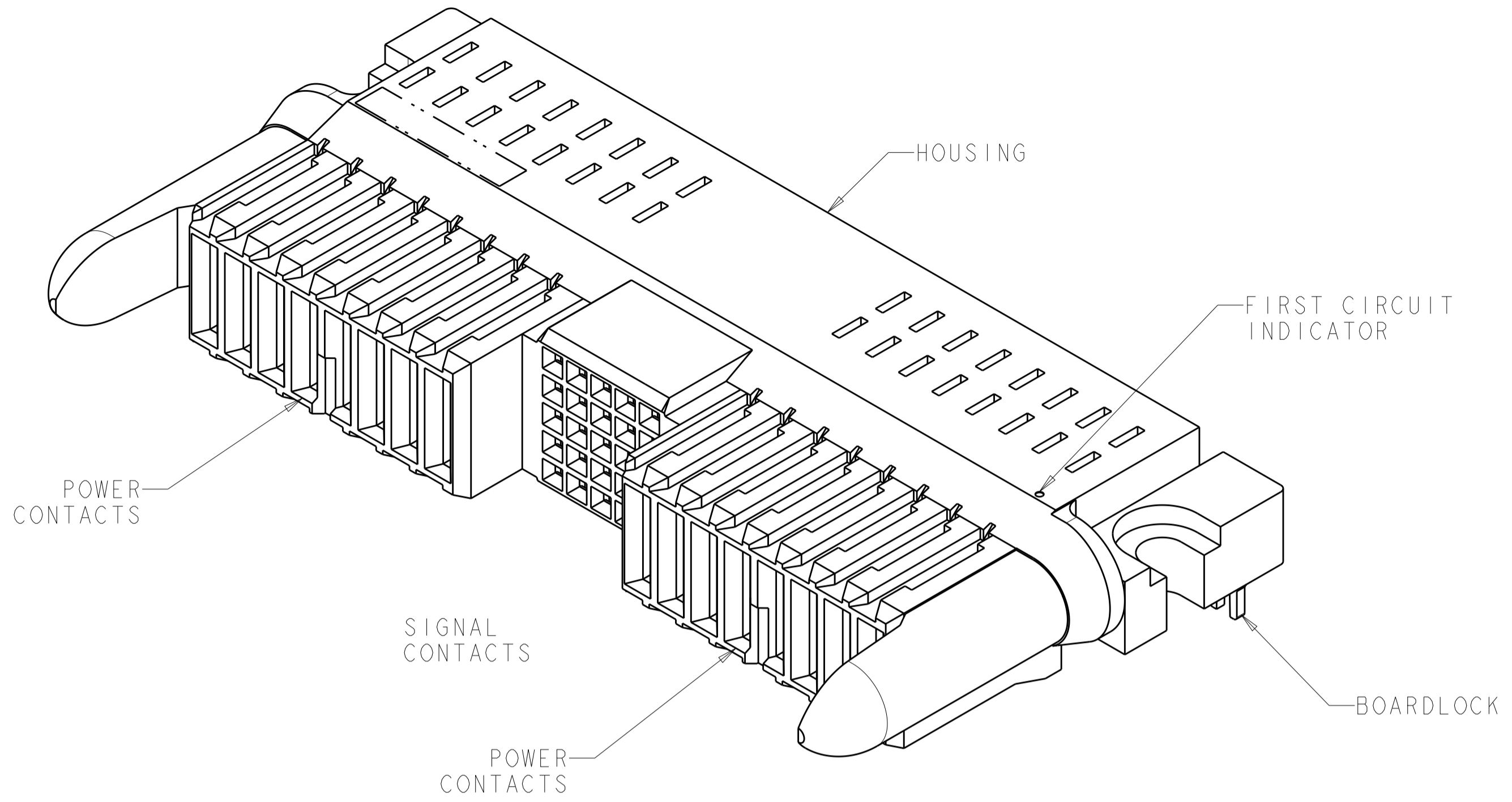
Tel: +86-755-8981 8866 Fax: +86-755-8427 6832

Email & Skype: info@chipsmall.com Web: www.chipsmall.com

Address: A1208, Overseas Decoration Building, #122 Zhenhua RD., Futian, Shenzhen, China



LOC	DIST	REVISIONS			
P	LTN	DESCRIPTION	DATE	OWN	APVD
AA	00	D1 ADD NEW PART	21MAR2013	OL	SZ



2-1926721-5 SHOWN

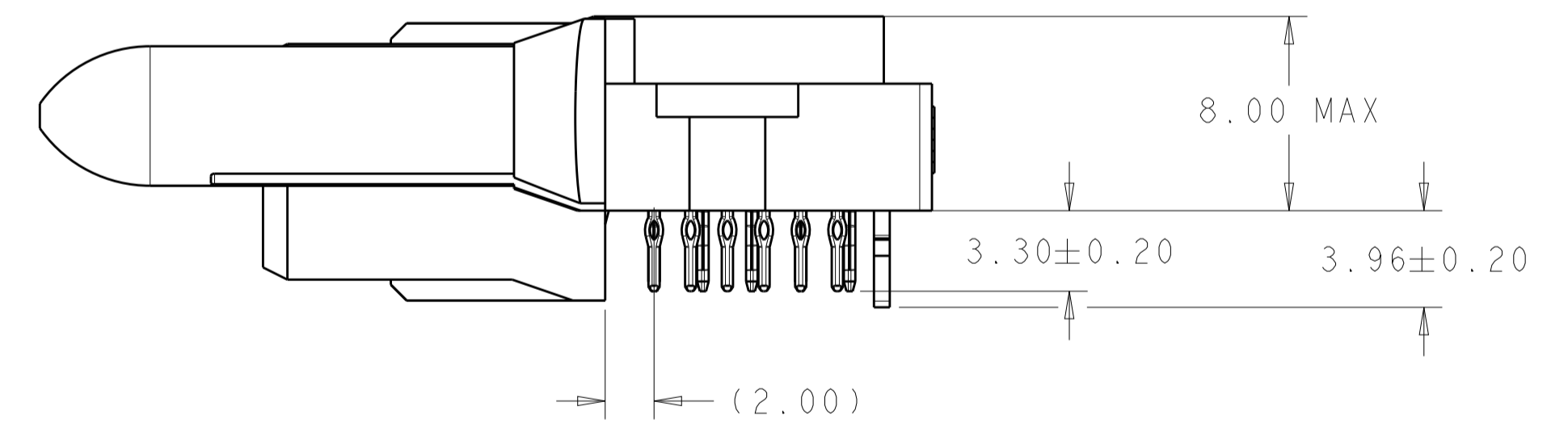
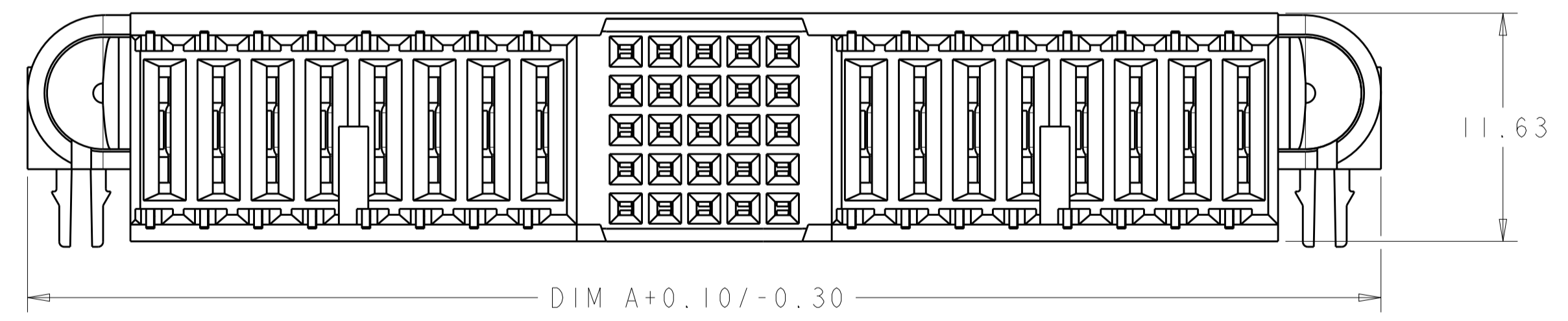
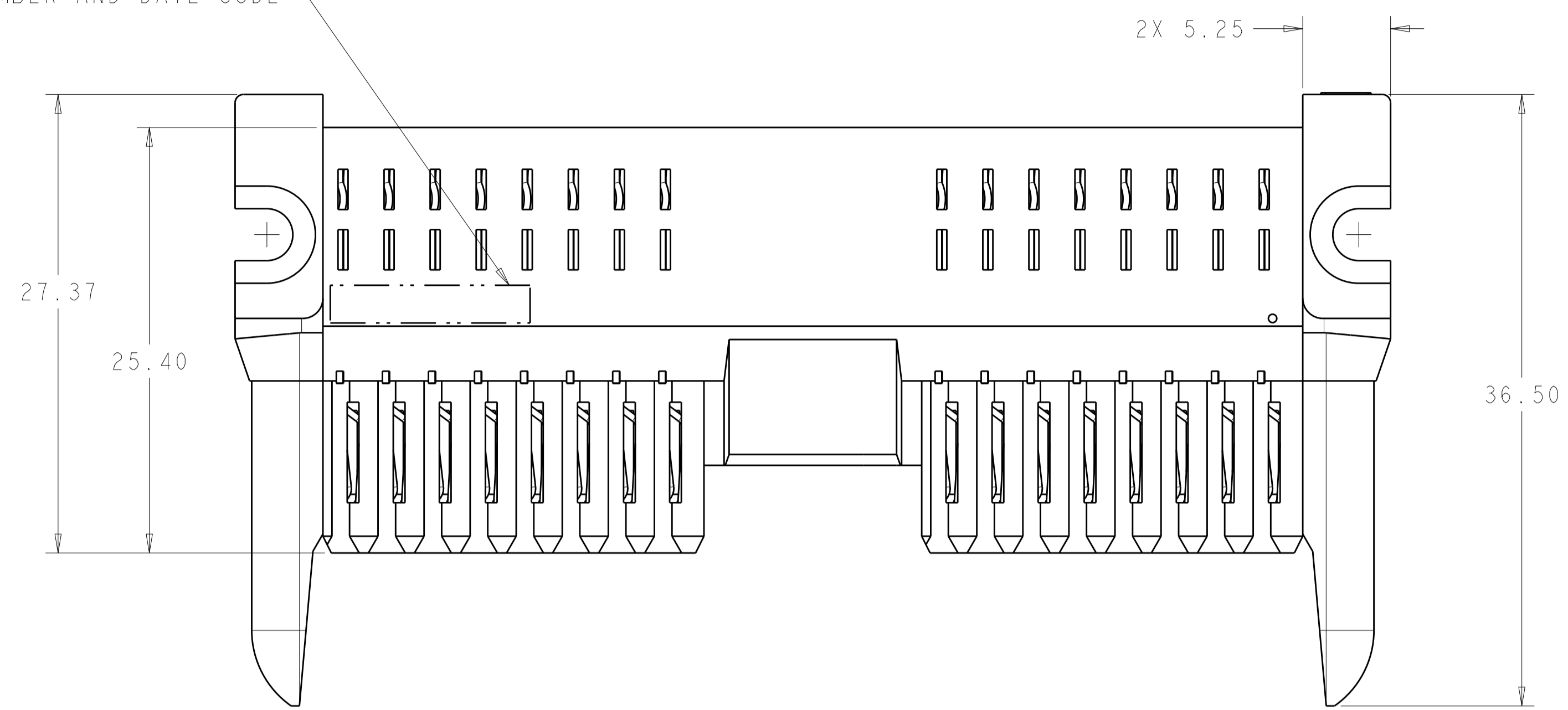
- HOUSING: GLASS FILLED LIQUID CRYSTAL POLYMER, COLOR: BLACK, UL 94 V-0 RATED
 SIGNAL CONTACT: PHOSPHOR BRONZE
 SIGNAL OVERMOLD: GLASS FILLED POLYESTER
 POWER CONTACT: COPPER ALLOY
 BOARD LOCKS: PHOSPHOR BRONZE
 - SIGNAL CONTACT: 0.00127mm MIN NICKEL ALL OVER,
 MATING AREA: 0.00076mm MIN GOLD OR 0.00008mm MIN GOLD OVER
 0.00076mm MIN PALLADIUM-NICKEL
 TAIL AREA: 0.0005mm MIN MATTE TIN
 POWER CONTACT: 0.00127mm MIN NICKEL ALL OVER,
 MATING AREA: 0.00076mm MIN GOLD OR
 0.00008mm MIN GOLD OVER 0.00076mm MIN PALLADIUM-NICKEL,
 TAIL AREA: 0.0005mm MIN MATTE TIN
 BOARD LOCKS: 0.00076mm MIN MATTE TIN OVER 0.00127mm MIN NICKEL.
 - CONTACT MATING AREA LUBRICATED WITH BELLCORE APPROVED LUBRICANT,
 TECHNICAL REFERENCE: GR-1217-CORE, ISSUE 1, NOVEMBER 1995.
 - THIS CONNECTOR EMPLOYS UL RECOGNIZED Z-PACK 2mm HM SIGNAL CONTACTS
- ⚠ DATUMS AND BASIC DIMENSIONS TO BE ESTABLISHED BY CUSTOMER.
 ⚠ PC BOARD THICKNESS 1.4mm MIN, FOR WAVE SOLDER PC BOARD THICKNESS 2.62 MAX
 ⚠ SEE APPLICATION SPEC 114-13215 FOR PLATED THROUGH HOLE INFORMATION
 8. SEE CUSTOMER DRAWING 1926720 OR 1926722 FOR MATING CONNECTOR
 ⚠ UNPLATED HOLES

3.875	5.375	60	30	9	5	77.14	82.74	10P X 30S X 10P	3-1926721-3
3.50	5.00	48	25	7	4	63.39	68.99	8P X 25S X 8P	2-1926721-5
4.125	5.625	36	15	5	2	49.64	55.24	6P X 15S X 6P	1-1926721-6
4.125	5.625	12	15	1	2	27.64	33.24	2P X 15S X 2P	1926721-2
DIM H	DIM G	F PLACES	E PLACES	D SPACES	C SPACES	DIM B	DIM A	DESCRIPTION	PART NUMBER

DIMENSIONS: mm 		TOLERANCES UNLESS OTHERWISE SPECIFIED: 0 PLC ± 1 PLC ±0.13 2 PLC ± 3 PLC ± 4 PLC ± ANGLES ±		DIMENSIONS: mm 0 PLC ± 1 PLC ±0.13 2 PLC ± 3 PLC ± 4 PLC ± ANGLES ±		DIMENSIONS: mm 0 PLC ± 1 PLC ±0.13 2 PLC ± 3 PLC ± 4 PLC ± ANGLES ±		DIMENSIONS: mm 0 PLC ± 1 PLC ±0.13 2 PLC ± 3 PLC ± 4 PLC ± ANGLES ±	
MATERIAL: SEE NOTE 1 FINISH: SEE NOTE 2		WEIGHT: - SCALE: 4:1		DIMENSIONS: mm 0 PLC ± 1 PLC ±0.13 2 PLC ± 3 PLC ± 4 PLC ± ANGLES ±		DIMENSIONS: mm 0 PLC ± 1 PLC ±0.13 2 PLC ± 3 PLC ± 4 PLC ± ANGLES ±		DIMENSIONS: mm 0 PLC ± 1 PLC ±0.13 2 PLC ± 3 PLC ± 4 PLC ± ANGLES ±	

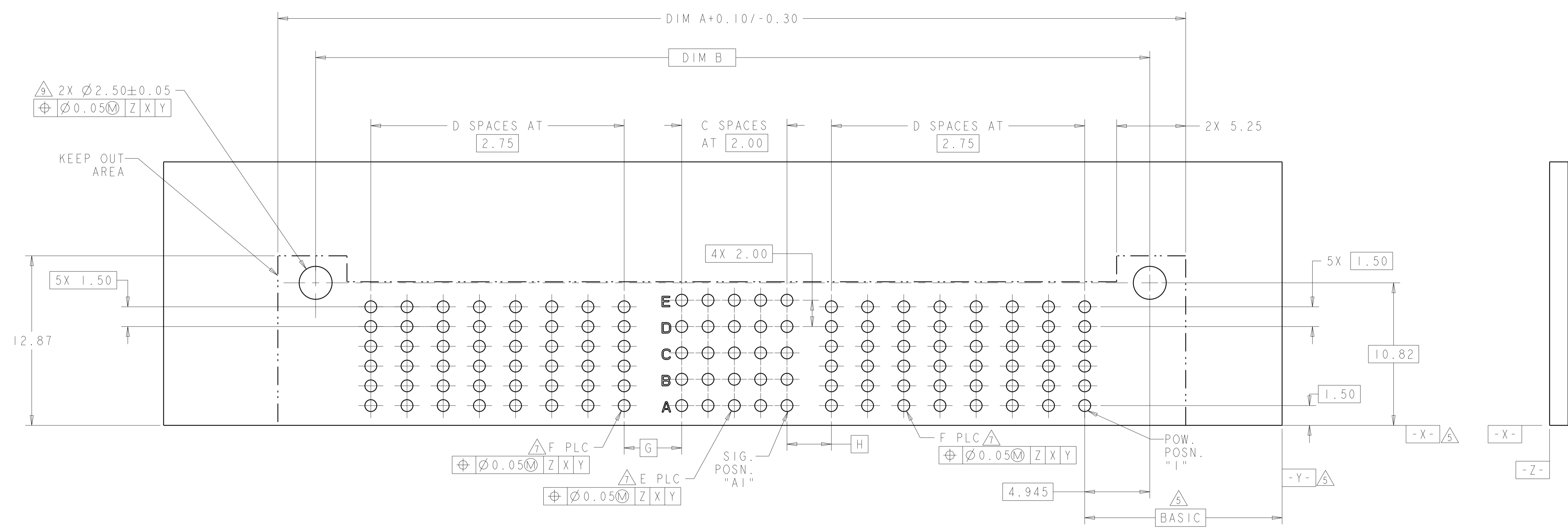
LOC		DIST		REVISIONS			
AA	00	P	LTH	DESCRIPTION	DATE	DMN	APVD
		-		SEE SHEET 1			

TE PART NUMBER AND DATE CODE



<small>THIS DRAWING IS UNPUBLISHED. IT IS THE PROPERTY OF TYCO ELECTRONICS CORPORATION. IT IS SUBJECT TO CHANGE AND WITHOUT WARRANTY. REVISIONS AND REVISIONS ORGANIZATION SHOULD BE CONTACTED FOR THE LATEST REVISION.</small>		DMN P BRANDBERG 26NOV07 CHK N REESER 26NOV07 APVD N REESER 26NOV07	Tyco Electronics Harrisburg, PA 17105-3608
DIMENSIONS: mm 	TOLERANCES UNLESS OTHERWISE SPECIFIED: 0 PLC ± 1 PLC ±0.13 2 PLC ± 3 PLC ± 4 PLC ± ANGLES ± FINISH SEE NOTE 2	NAME RECEPTACLE ASSEMBLY, RIGHT ANGLE, PASSIVE GUIDE, POWER/SIGNAL/POWER, WITH BOARD LOCKS, MINIPAK HDL PRODUCT SPEC 108-2325 APPLICATION SPEC 114-13215 WEIGHT - Customer Drawing	Tyco Electronics Harrisburg, PA 17105-3608 SIZE CAGE CODE DRAWING NO RESTRICTED TO A 100779 C=1926721 SCALE 4:1 SHEET 2 OF 3 REV D1

LOC	DIST	REVISIONS			
P	LTN	DESCRIPTION	DATE	DMN	APVD
-	-	SEE SHEET 1	-	-	-



2-1926721-5 SHOWN
RECOMMENDED PRINTED CIRCUIT BOARD LAYOUT
 (AS VIEWED FROM COMPONENT SIDE)
 SCALE 6:1

<small>THIS DRAWING IS UNPUBLISHED. RELEASED FOR PUBLICATION 20 COPYRIGHT 20 BY TYCO ELECTRONICS CORPORATION. ALL RIGHTS RESERVED.</small>		DMN P BRANDBERG 26NOV07 CHK N REESER 26NOV07 APVD N REESER 26NOV07	Tyco Electronics Harrisburg, PA 17105-3608
DIMENSIONS: mm 	TOLERANCES UNLESS OTHERWISE SPECIFIED: 0 PLC ± 1 PLC ±0.13 2 PLC ± 3 PLC ± 4 PLC ± ANGLES ±	NAME RECEPTACLE ASSEMBLY, RIGHT ANGLE, PASSIVE GUIDE, POWER/SIGNAL/POWER, WITH BOARD LOCKS, MINIPAK HDL PRODUCT SPEC 108-2325 APPLICATION SPEC 114-13215 WEIGHT - Customer Drawing	SCALE 4:1 SHEET 3 OF 3 REV D1
MATERIAL SEE NOTE 1 FINISH SEE NOTE 2	POW. POSN. "I" BASIC	SIZE CAGE CODE DRAWING NO A100779C=1926721	RESTRICTED TO