



Chipsmall Limited consists of a professional team with an average of over 10 year of expertise in the distribution of electronic components. Based in Hongkong, we have already established firm and mutual-benefit business relationships with customers from,Europe,America and south Asia,supplying obsolete and hard-to-find components to meet their specific needs.

With the principle of “Quality Parts,Customers Priority,Honest Operation,and Considerate Service”,our business mainly focus on the distribution of electronic components. Line cards we deal with include Microchip,ALPS,ROHM,Xilinx,Pulse,ON,Everlight and Freescale. Main products comprise IC,Modules,Potentiometer,IC Socket,Relay,Connector.Our parts cover such applications as commercial,industrial, and automotives areas.

We are looking forward to setting up business relationship with you and hope to provide you with the best service and solution. Let us make a better world for our industry!



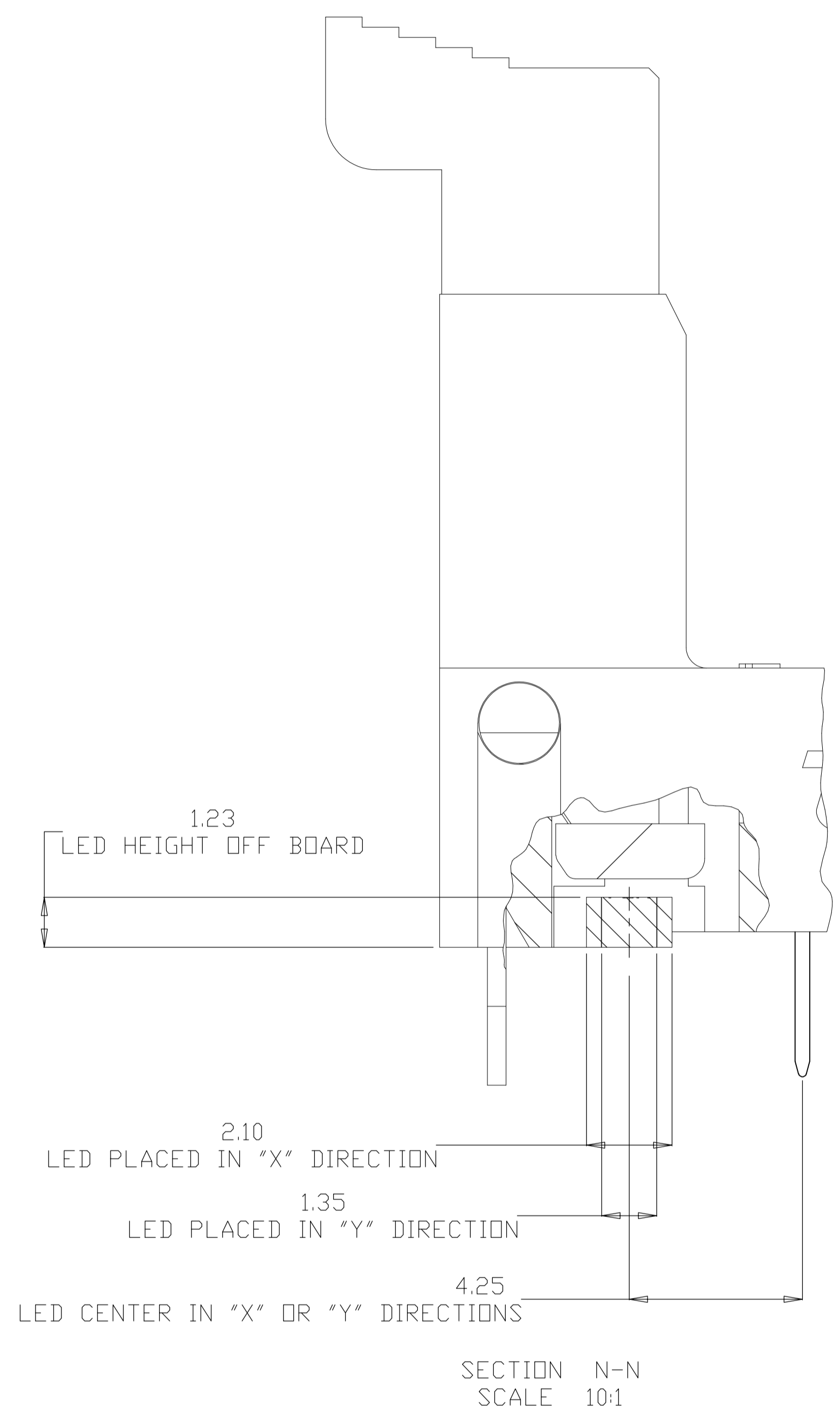
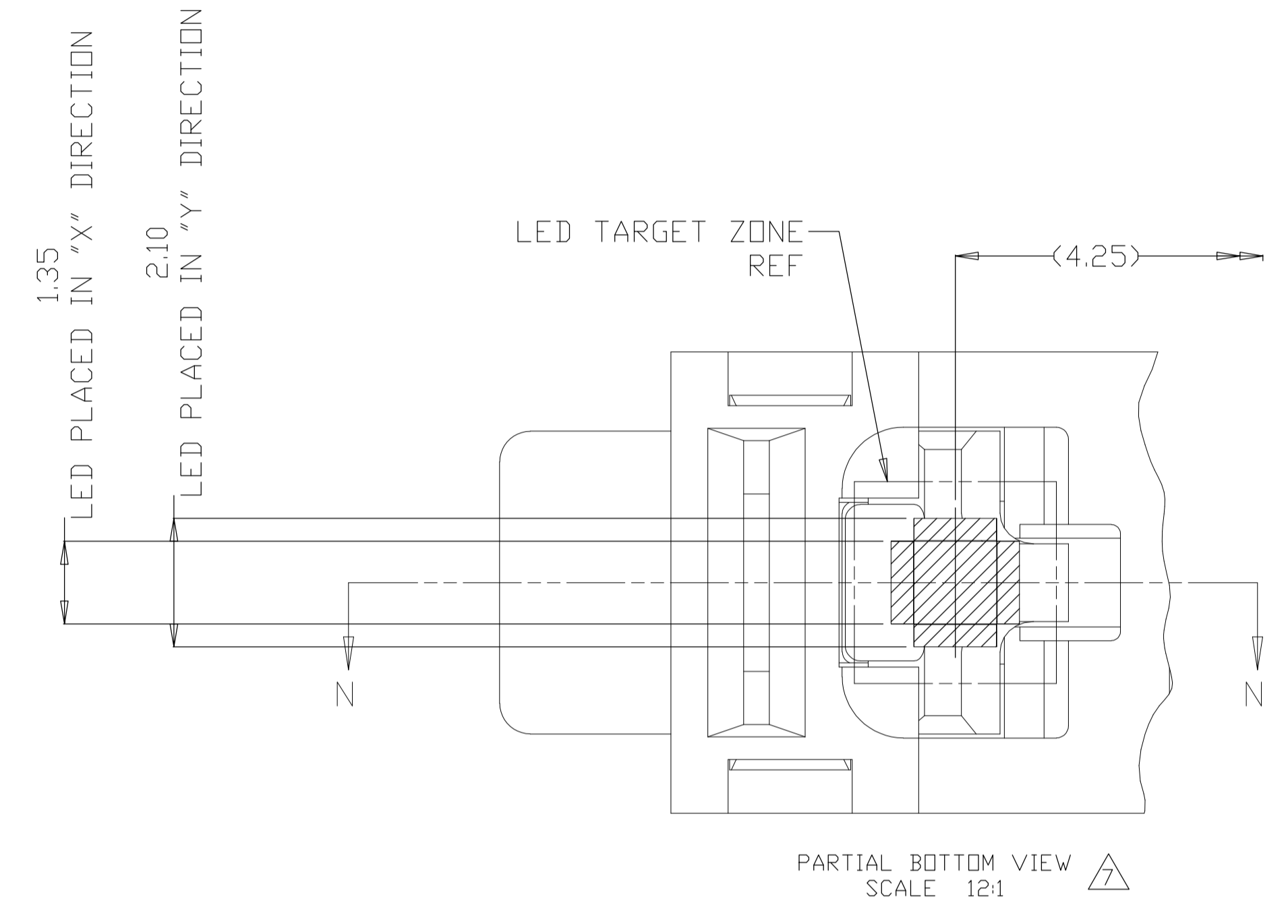
Contact us

Tel: +86-755-8981 8866 Fax: +86-755-8427 6832

Email & Skype: info@chipsmall.com Web: www.chipsmall.com

Address: A1208, Overseas Decoration Building, #122 Zhenhua RD., Futian, Shenzhen, China



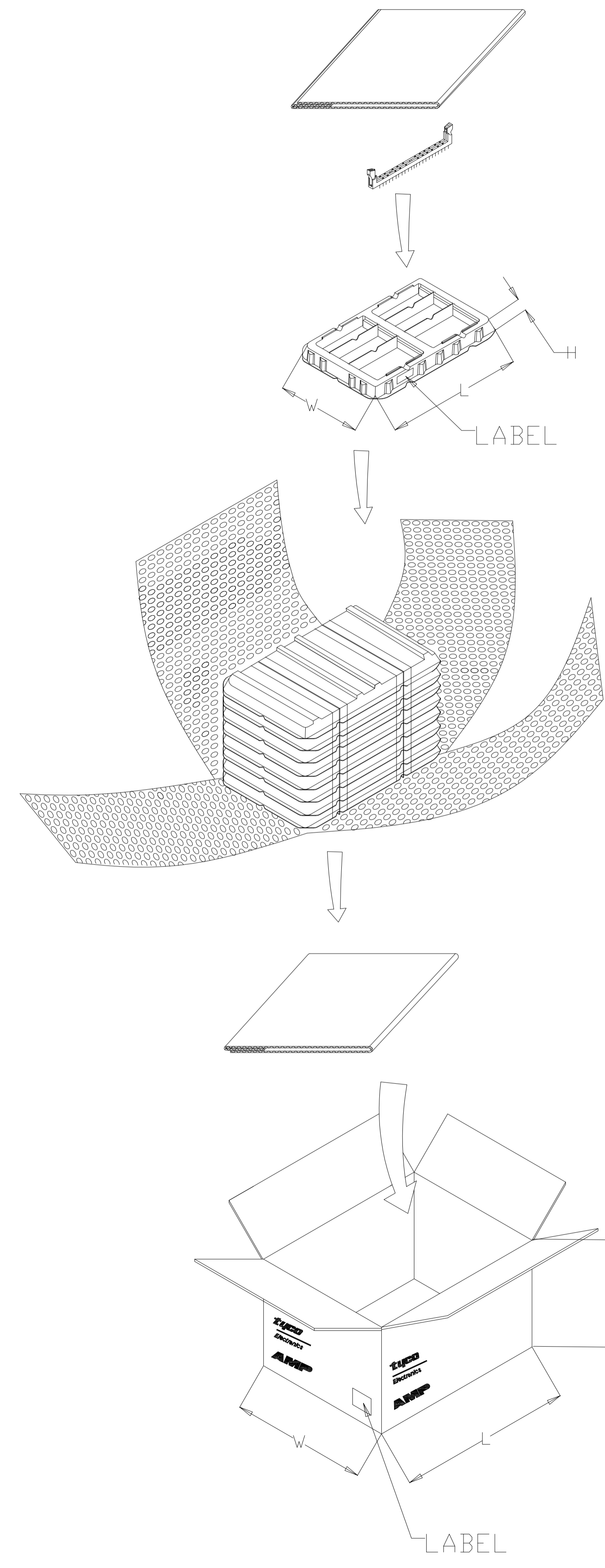


RETENTION BARB	NATURAL	BLUE<2935U>	0.00038 MIN <15u''>	2.67	6-1932031-2
	BLACK	BLACK	0.00051 MIN <20u''>	2.67	6-1932031-1
	NATURAL	BLACK	0.00051 MIN <20u''>	2.67	6-1932031-0
	NATURAL	NATURAL	0.00076 MIN <30u''>	3.18	5-1932031-9
		BLUE<2935U>	0.00038 MIN <15u''>	3.18	5-1932031-8
	BLACK	BLACK	0.00076 MIN <30u''>	4.00	5-1932031-2
				3.18	5-1932031-1
	NATURAL	BLUE<284C>	0.00038 MIN <15u''>	3.18	4-1932031-9
		BLACK		3.18	4-1932031-7
	NATURAL	GREEN<368C>	0.00038 MIN <15u''>	3.18	3-1932031-4
	NATURAL	BLUE<284C>	0.00038 MIN <15u''>	3.18	2-1932031-6
				2.67	2-1932031-5
	BLACK	BLACK	0.00008 MIN <3u''>	2.67	1-1932031-6
				4.00	1-1932031-5
NATURAL	BLACK	0.00038 MIN <15u''>	4.00	1-1932031-2	
			3.18	1-1932031-1	
			2.67	1-1932031-0	
NATURAL	NATURAL	0.00008 MIN <3u''>	2.67	1932031-7	
			3.18	1932031-5	
NATURAL	NATURAL	0.00038 MIN <15u''>	2.67	1932031-4	
HOUSING STYLE	EXTRACTOR	HOUSING COLOR	CONTACT GOLD INTERFACE	TAIL LENGTH	PART NUMBER

THIS DRAWING IS A CONTROLLED DOCUMENT.

DIMENSIONS: mm	TOLERANCES UNLESS OTHERWISE SPECIFIED:	DMN SANDERS YAN 21AUG2007	APVD LEO ZHOU 21AUG2007	NAME STEVEN YAO 21AUG2007	SIZE A1	SCALE 4:1	SHEET 2 OF 4	REV C8
0 PLC ± -	1 PLC ± 0.5	SOCKET ASSEMBLY, VERTICAL DDR3 DIMM, SOLDER TAIL, 240 POSITION, LOWER RESISTANCE TYPE			108-60071	CUSTOMER DRAWING		
2 PLC ± 0.13	3 PLC ± 0.013	DRAWING NO 1932031			114-13154	SCALE 4:1 SHEET 2 OF 4 REV C8		
4 PLC ± 0.0001	ANGLES ± -	DRAWING NO 1932031			114-13154	SCALE 4:1 SHEET 2 OF 4 REV C8		

STE TE Connectivity



BOTTOM TRAY

TRAY

CARTON

NOTES:

1. MATERIAL:
 - 1.1 TRAY: PVC
 - 1.2 SHIPPING CARTON : CORRUGATED FIBERBOARD
2. DIMENSION :
 - 2.1 TRAY : L=363, W=255, H=33
 - 2.2 SHIPPING CARTON : L=375, W=265, H=280
3. QUANTITY :
 - 3.1 PRIMARY PACKING : 50 PCS/TRAY
 - 3.2 SECONDARY PACKING : 8 TRAY/CARTON(400PCS)
4. WEIGHT :
 - 4.1 NET WEIGHT : 3.76 KG
 - 4.2 GROSS WEIGHT: 6.00 KG

THIS DRAWING IS A CONTROLLED DOCUMENT.		DN SANDERS YAN 21AUG2007	TE Connectivity
DIMENSIONS: mm		CHK LEO ZHOU 21AUG2007	
TOLERANCES UNLESS OTHERWISE SPECIFIED:		APVD STEVEN YAO 21AUG2007	NAME
0. PLC ± -		SOCKET ASSEMBLY,	
1. PLC ± 0.50		VERTICAL DDR3 DIMM, SOLDER TAIL,	
2. PLC ± 0.13		240 POSITION, LOWER RESISTANCE TYPE	
3. PLC ± 0.013		PRODUCT SPEC	
4. PLC ± 0.0001		108-60071	
ANGLES ± -		APPLICATION SPEC	
MATERIAL - FINISH -		114-13154	
WEIGHT -		SIZE CAGE CODE DRAWING NO RESTRICTED TO	
CUSTOMER DRAWING		A1 00779 C=1932031	
SCALE --		SHEET 4 OF 4 REV C8	