



Chipsmall Limited consists of a professional team with an average of over 10 year of expertise in the distribution of electronic components. Based in Hongkong, we have already established firm and mutual-benefit business relationships with customers from,Europe,America and south Asia,supplying obsolete and hard-to-find components to meet their specific needs.

With the principle of "Quality Parts,Customers Priority,Honest Operation,and Considerate Service",our business mainly focus on the distribution of electronic components. Line cards we deal with include Microchip,ALPS,ROHM,Xilinx,Pulse,ON,Everlight and Freescale. Main products comprise IC,Modules,Potentiometer,IC Socket,Relay,Connector.Our parts cover such applications as commercial,industrial, and automotives areas.

We are looking forward to setting up business relationship with you and hope to provide you with the best service and solution. Let us make a better world for our industry!



Contact us

Tel: +86-755-8981 8866 Fax: +86-755-8427 6832

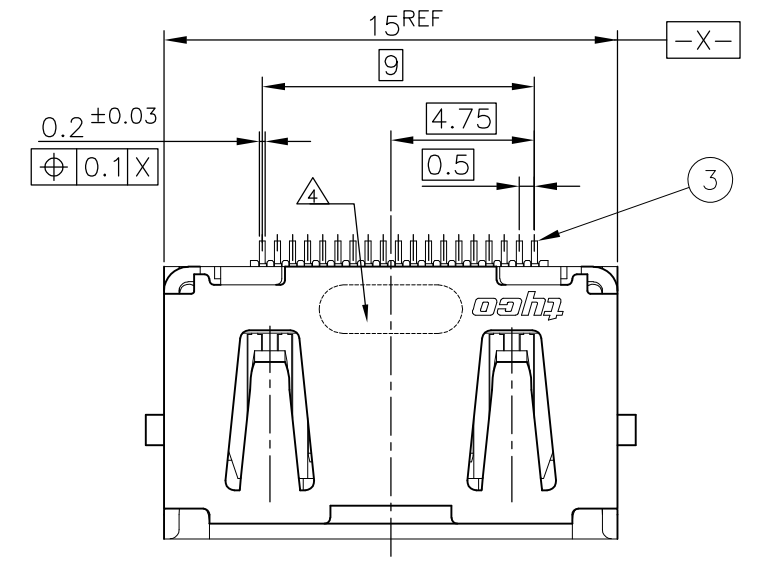
Email & Skype: info@chipsmall.com Web: www.chipsmall.com

Address: A1208, Overseas Decoration Building, #122 Zhenhua RD., Futian, Shenzhen, China



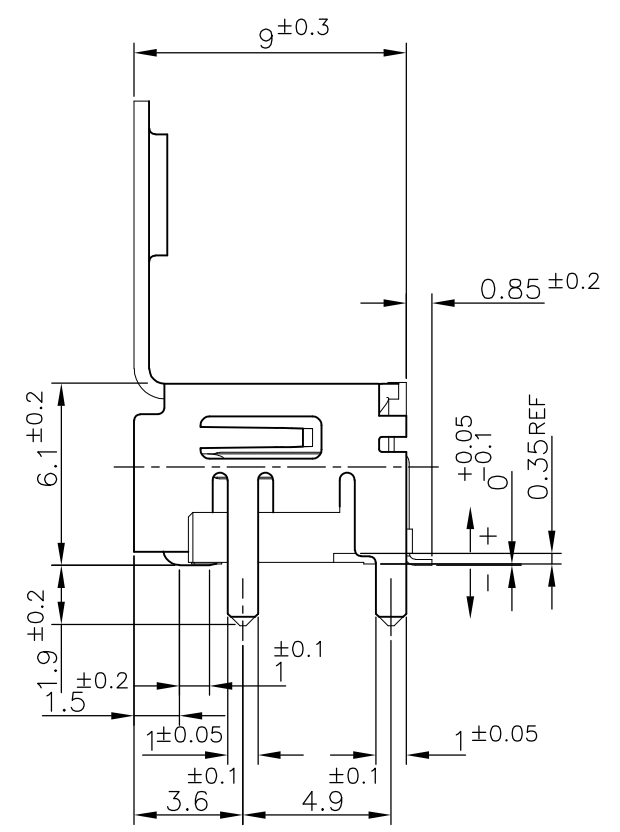
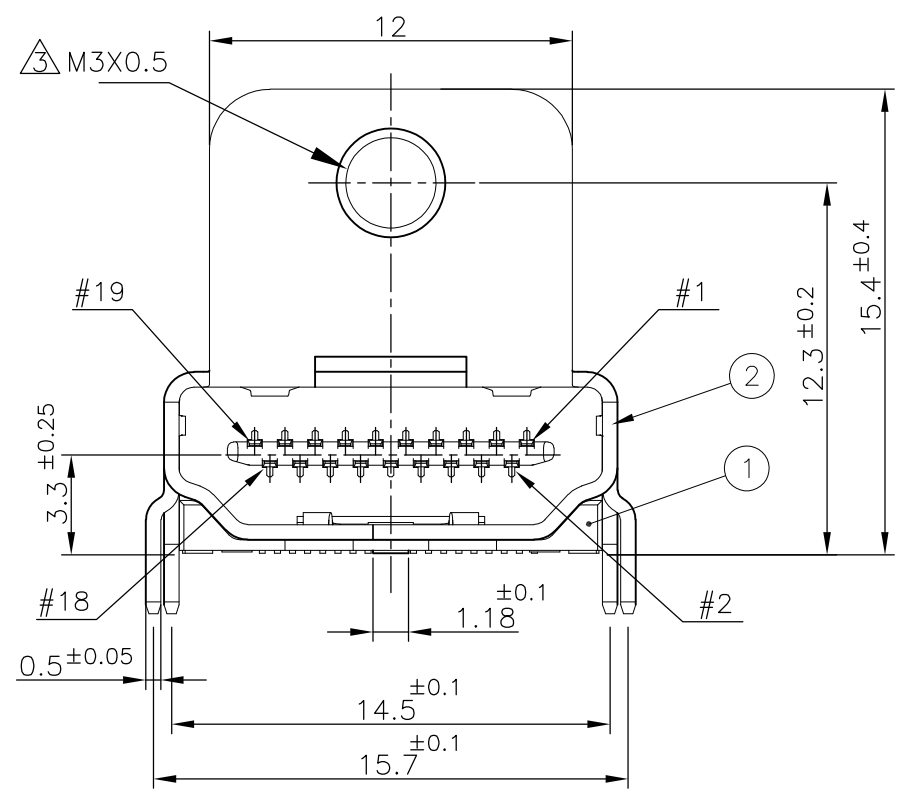
THIS DRAWING IS UNPUBLISHED. RELEASED FOR PUBLICATION
 © COPYRIGHT 2005 BY TYCO ELECTRONICS CORPORATION. ALL RIGHTS RESERVED.

LOC	DIST	REVISIONS		
ES	00	P	LTR	DESCRIPTION
				DATE
				DWN
				APVD
		16	ADD MATERIAL IN TABLE	27NOV2009
				A.H S.Y

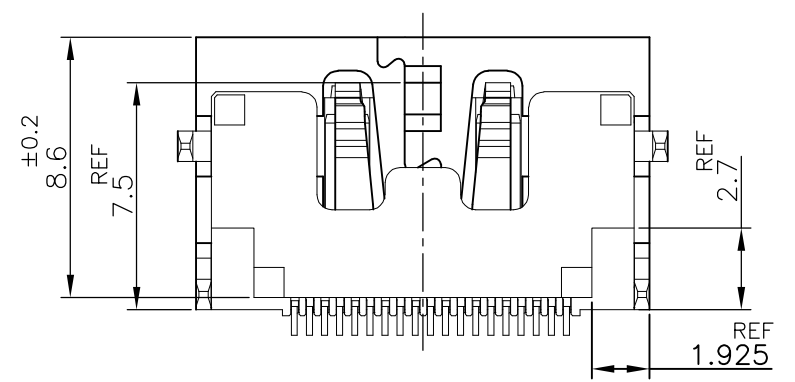


1932382-1, 1932382-2,
 1932382-3, 1932382-4; AS SHOWN

THIS PRINT IS
PRELIMINARY
 UNQUALIFIED PRODUCT
 CONTACT PRODUCT ENGINEERING
 BEFORE USING THIS PRINT



BRASS	CONTACT	3
BRASS	SHELL	2
GLASS FILLED LCP UL94V-0, BLACK COLOR	HOUSING	1
MATERIAL	DESCRIPTION	ITEM



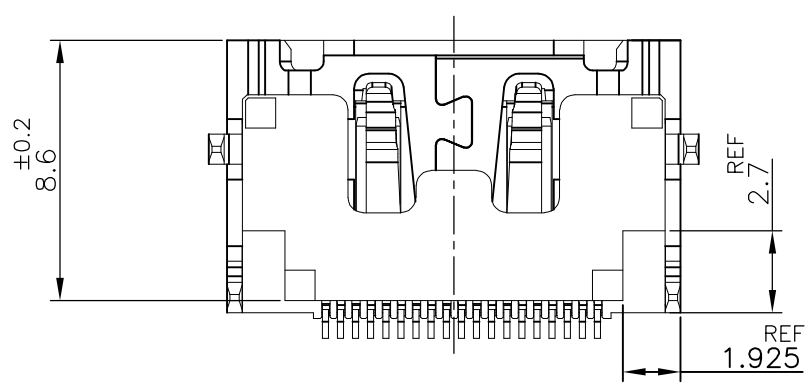
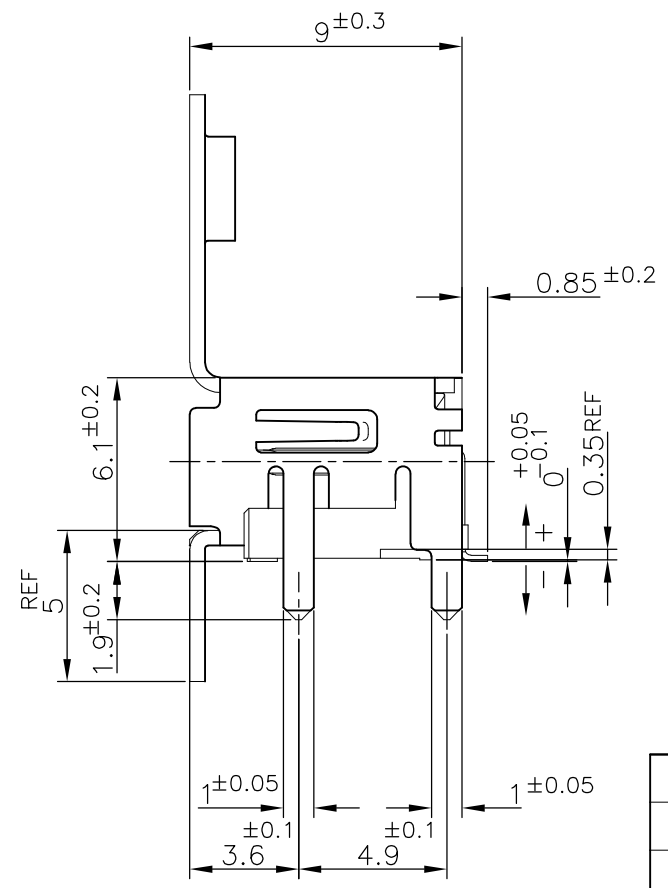
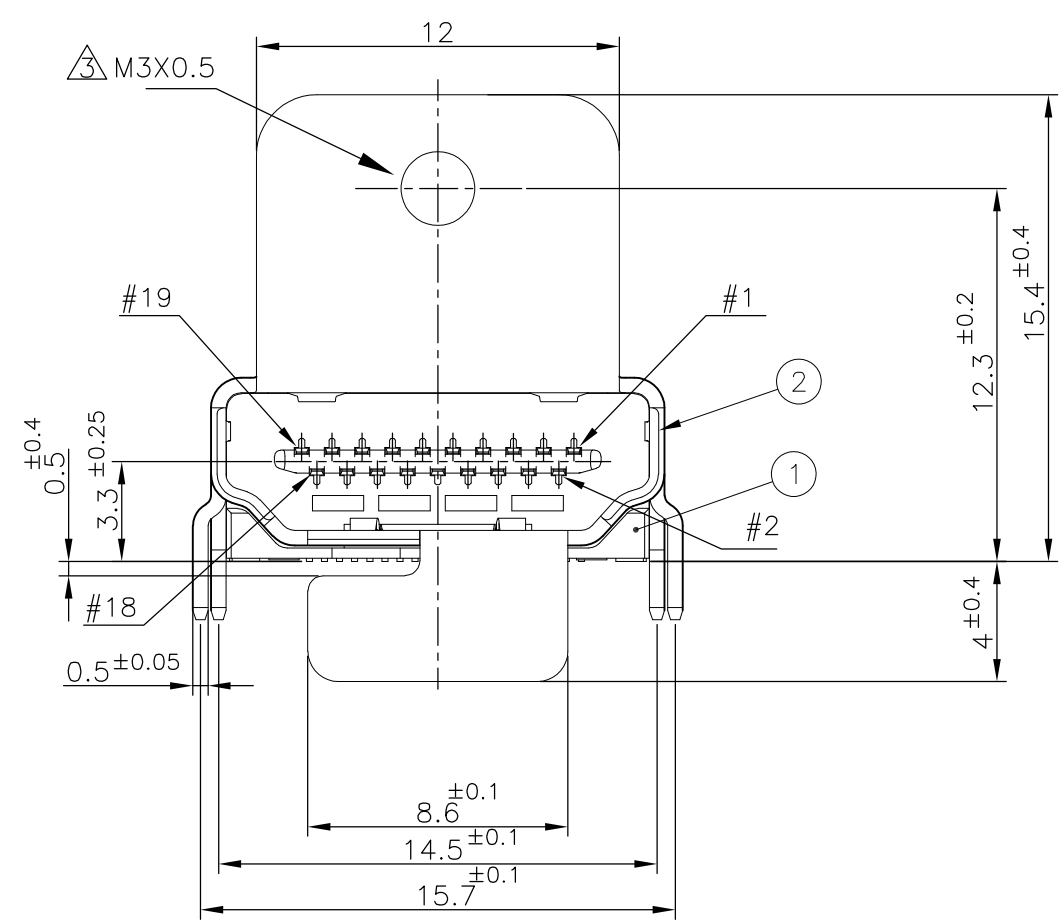
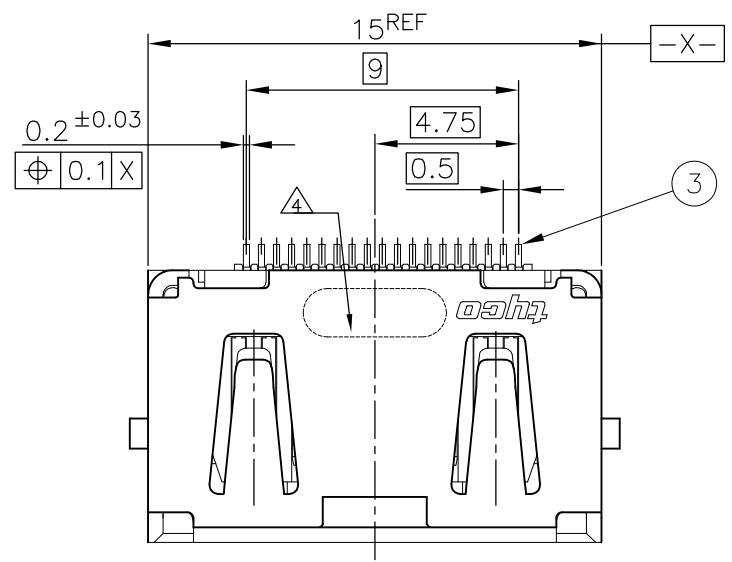
THIS DRAWING IS A CONTROLLED DOCUMENT.		DWN	A.HU	18MAY2009	Tyco Electronics Corporation Shanghai, PRC, 200233
DIMENSIONS: 單位: 耗 mm		CHK	M.LI	18MAY2009	
TOLERANCES UNLESS OTHERWISE SPECIFIED: 一般公差		APVD	S.YAO	18MAY2009	
0 PLC ± 1 PLC ± 2 PLC ± 3 PLC ± 4 PLC ± ANGLES ±		NAME 名稱		HDMI 19 POS RECEPTACLE ASSY SMT SHORT TYPE	
MATERIAL 材料	FINISH 仕上	PRODUCT SPEC 製品規格	APPLICATION SPEC 取付適用規格	WEIGHT	SIZE
		A3		CAGE CODE	00779
		DRAWING NO 番号		G-1932382	
		RESTRICTED TO			
CUSTOMER DRAWING		SCALE 尺度		4:1	SHEET 1 OF 4
		REV		16	

THIS DRAWING IS UNPUBLISHED. RELEASED FOR PUBLICATION
 © COPYRIGHT 2005 BY TYCO ELECTRONICS CORPORATION. ALL RIGHTS RESERVED.

LOC	DIST	REVISIONS			
ES	00	P	LTR	DESCRIPTION	DATE
				SEE SHEET1	

1-1932382-1, 1-1932382-2,
 1-1932382-3, 1-1932382-4; AS SHOWN

THIS PRINT IS
PRELIMINARY
 UNQUALIFIED PRODUCT
 CONTACT PRODUCT ENGINEERING
 BEFORE USING THIS PRINT



BRASS	CONTACT	3
BRASS	SHELL	2
GLASS FILLED LCP UL94V-0, BLACK COLOR	HOUSING	1
MATERIAL	DESCRIPTION	ITEM

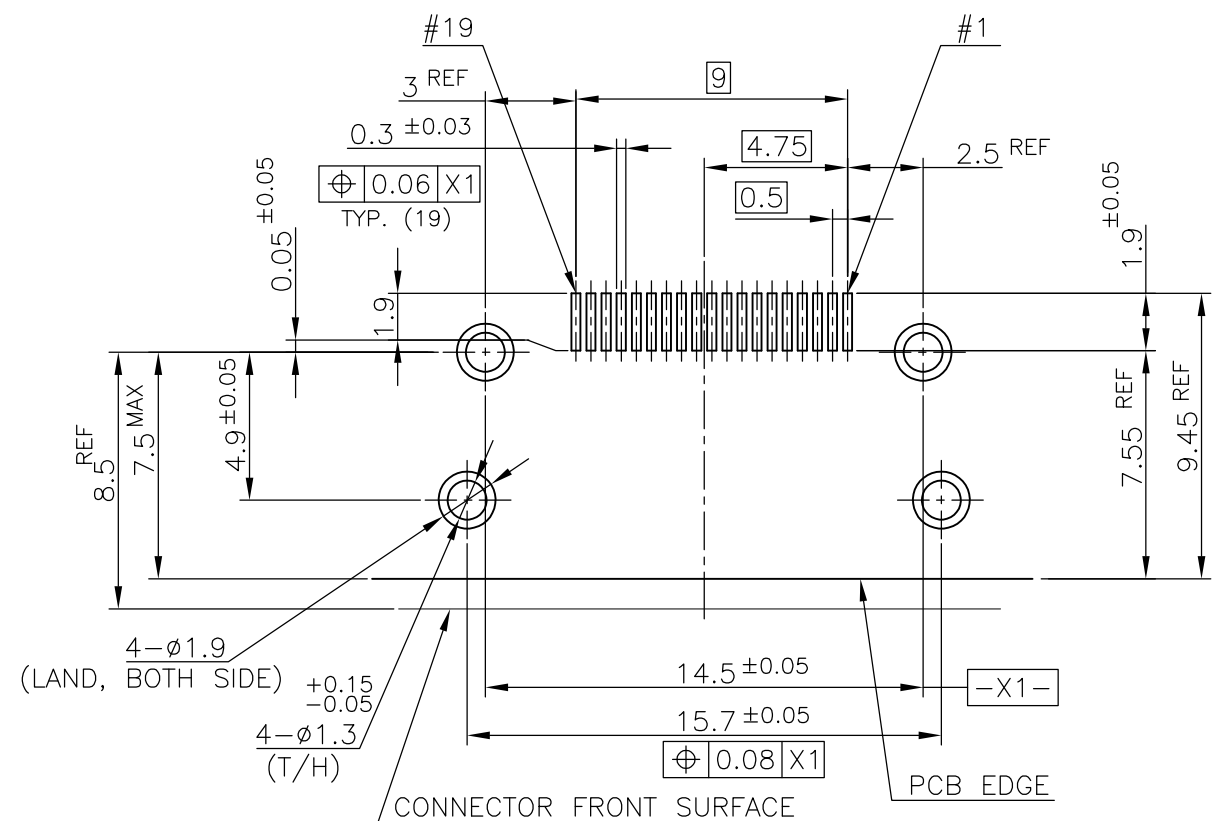
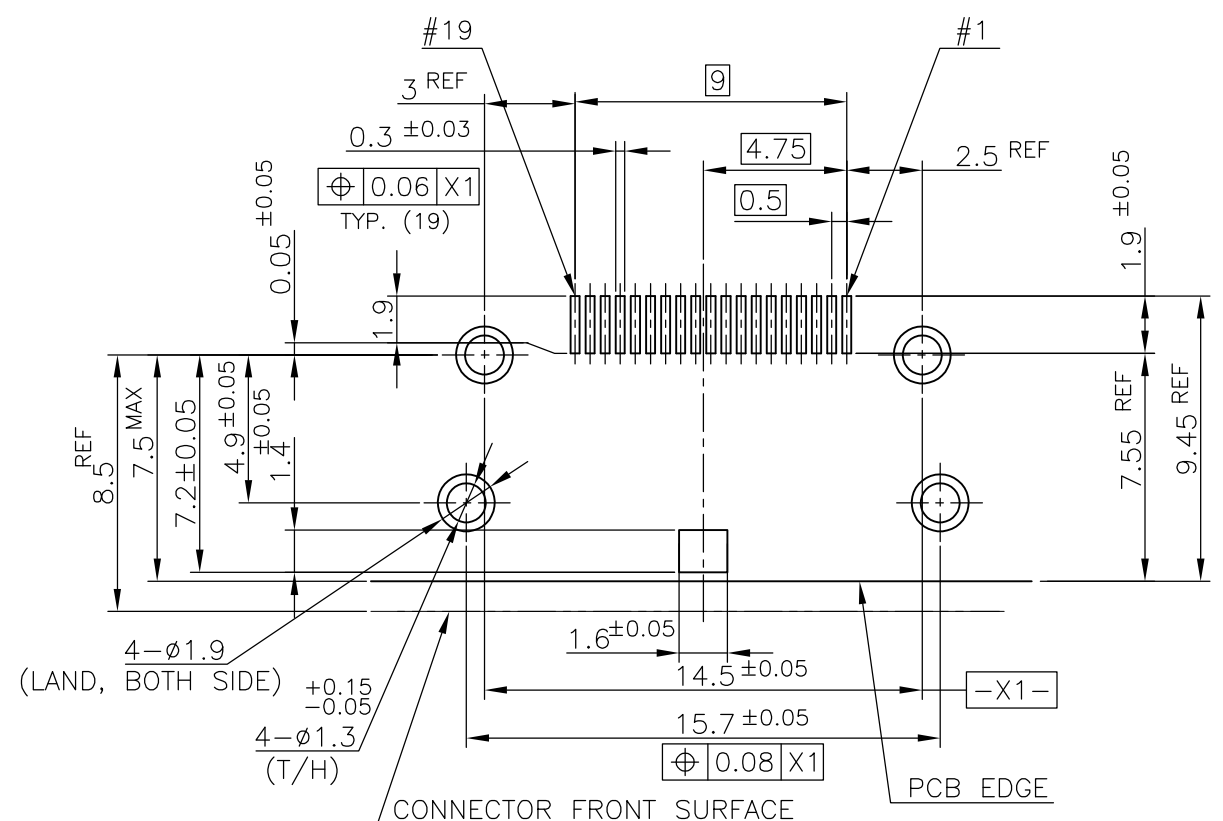
THIS DRAWING IS A CONTROLLED DOCUMENT.		DWN	A.HU	18MAY2009	Tyco Electronics Corporation Shanghai, PRC, 200233
DIMENSIONS: 單位: 毫米 mm		CHK	M.LI	18MAY2009	
TOLERANCES UNLESS OTHERWISE SPECIFIED: 一般公差		APVD	S.YAO	18MAY2009	
0 PLC ± 1 PLC ± 2 PLC ± 3 PLC ± 4 PLC ± ANGLES ±		NAME 名称		HDMI 19 POS RECEPTACLE ASSY SMT SHORT TYPE	
MATERIAL 材料		FINISH 仕上		PRODUCT SPEC 製品規格	SIZE
				APPLICATION SPEC 取付適用規格	CAGE CODE
				WEIGHT	DRAWING NO 番号
		CUSTOMER DRAWING			RESTRICTED TO
					SCALE 尺度 4:1
					SHEET 2 OF 4
					REV 16

THIS DRAWING IS UNPUBLISHED. RELEASED FOR PUBLICATION
 © COPYRIGHT 2005 BY TYCO ELECTRONICS CORPORATION. ALL RIGHTS RESERVED.

LOC	DIST	REVISIONS					
ES	00	P	LTR	DESCRIPTION	DATE	DWN	APVD
				SEE SHEET 1			

1932382-1, 1932382-2
 1932382-3, 1932382-4; AS SHOWN

1-1932382-1, 1-1932382-2
 1-1932382-3, 1-1932382-4; AS SHOWN

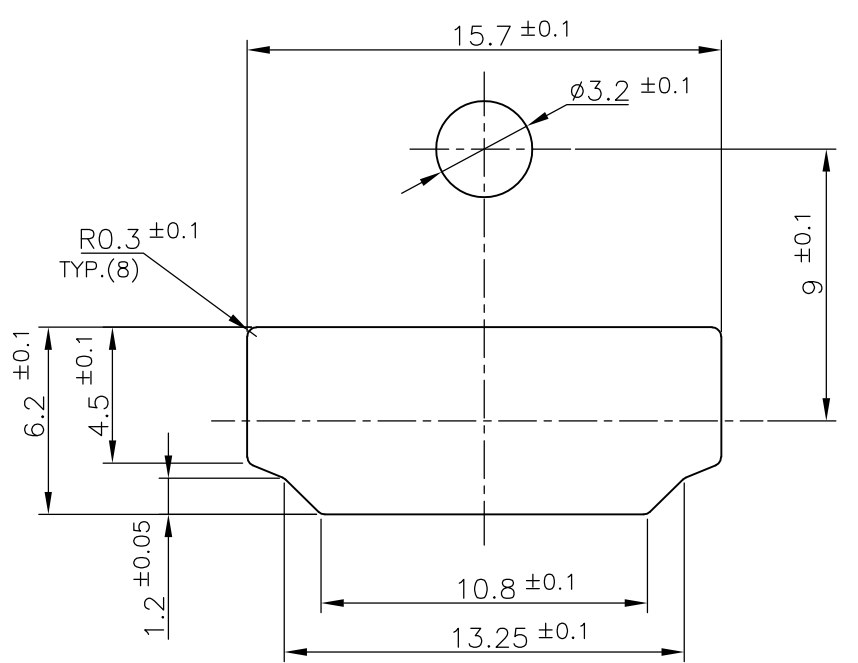


P.C.B LAYOUT (REFERENCE)
 SHOWN AS CONNECTOR MOUNTING SIDE
 TOLERANCE: NON-CUMULATIVE

P.C.B LAYOUT (REFERENCE)
 SHOWN AS CONNECTOR MOUNTING SIDE
 TOLERANCE: NON-CUMULATIVE

THIS PRINT IS
PRELIMINARY
 UNQUALIFIED PRODUCT
 CONTACT PRODUCT ENGINEERING
 BEFORE USING THIS PRINT

COUPLE	Au 0.05~0.13um	0.1umMIN	1-1932382-4
COUPLE	MATTE TIN	0.1umMIN	1-1932382-3
COUPLE	MATTE TIN	0.3umMIN	1-1932382-2
COUPLE	Au 0.05~0.13um	0.3umMIN	1-1932382-1
SINGLE	Au 0.05~0.13um	0.1umMIN	1932382-4
SINGLE	MATTE TIN	0.1umMIN	1932382-3
SINGLE	MATTE TIN	0.3umMIN	1932382-2
SINGLE	Au 0.05~0.13um	0.3umMIN	1932382-1
FLANGE TYPE	T2	T1	PART NUMBER



PANEL CUT OUT DIMENSION (REFERENCE)

- △ CONTACT COPLANALITY IS 0.1 MAX.
- △ FINISH
 CONTACT: T1 um Au PL. ON CONTACT AREA
 T2 um TIN/Au PL. ON TERMINAL AREA
 Ni UNDER PL. ALL OVER
 SHELL: Sn PL. (MATTE) ALL OVER
 Ni UNDER PL. ALL OVER
- ③ M3 TAPPING + BVTP RECOMMENDED TORQUE: 68.6N (7Kgf) MAX.
- ④ DATE CODE: 5DIGIT NUMBER.

THIS DRAWING IS A CONTROLLED DOCUMENT.		DWN	A.HU	18MAY2009	Tyco Electronics Corporation Shanghai, PRC, 200233
DIMENSIONS: 單位: 耗 mm		CHK	M.LI	18MAY2009	
TOLERANCES UNLESS OTHERWISE SPECIFIED: 一般公差		APVD	S.YAO	18MAY2009	
0 PLC ± 1 PLC ± 2 PLC ± 3 PLC ± 4 PLC ± ANGLES ±		PRODUCT SPEC 製品規格		NAME 名称	
MATERIAL 材料		FINISH 仕上		APPLICATION SPEC 取付適用規格	
		WEIGHT		HDMI 19 POS RECEPTACLE ASSY SMT SHORT TYPE	
CUSTOMER DRAWING		SIZE	A3	CAGE CODE	00779
		DRAWING NO	1932382		RESTRICTED TO
		SCALE	4:1		SHEET
				3 OF 4	REV
					16

